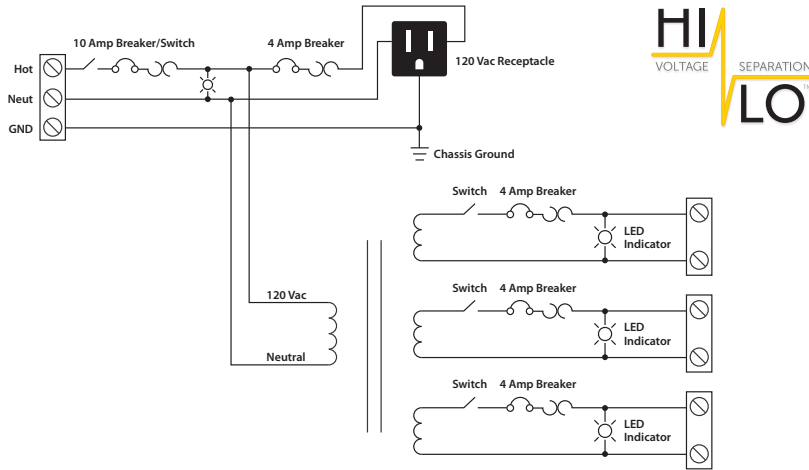


AC POWER SUPPLY

PSH300AB10-LVC

300 VA Power Supply, Three 100 VA Class 2 Outputs, 120 Vac to 24 Vac, Hi/Lo Voltage Separate Wiring Compartments, Exterior 120 Vac Receptacle and Circuit Breakers Switches, Metal Enclosure



PSH300AB10-LVC
 Shown With High Voltage
 Cover & Low Voltage
 Access Plate

SPECIFICATIONS

Transformer: One (1) 300 VA
Over Current Protection: Circuit Breaker
Primary: 120 Vac
Frequency: 50/60 Hz
Main Breaker ON/OFF: Switch / Breaker (10 Amp)
 (Kills power to entire unit:
 1 Outlet & Transformer)
Approvals: Class 2 (UL Approved UL5085-3),
 UL916, C-UL, CE, RoHS
**^ Seismic Certification of Equipment and Components:
 OSP-0201-10**
Dimensions: 12.125" H x 12.125" W x 6.000" D
Origin: Made of US and non-US parts
Housing: NEMA1 Metal Enclosure with
 high/low separation
Notes: • 4A (Breaker protected) Convenience Receptacle Provided
 • Design is in accordance with ASCE 7-05 Chapter 13: ^
<https://hcai.ca.gov/wp-content/uploads/2020/10/OSP-0201.pdf>
 • Consult factory for OSP labeling

3 Secondaries:
 24 Vac, with LED Indicators
 4 Amp breaker for each output
24 Vac ON/OFF:
 On / Off Switch & Breaker
Input:
 120 Vac Finger-Safe Terminals, 8-18 AWG
Output:
 3 Ungrounded, Isolated, 100 VA Class 2,
 24 Vac Outputs. Removable Terminals
 accept 16-22 AWG wire.
Ambient Temperature Derating:
 4A up to 40° C ; 3A up to 50° C ; 2A up to 55° C
 (When All 5 Outputs Operated Simultaneously)

Standby Wattage:
 16.61 W @ 120 Vac
Full Load Primary Current:
 2.66 A @ 120 Vac
Secondary Output Voltage vs. Load:
 24.5 V @ 1 Amp
 23.5 V @ 2 Amp
 22.8 V @ 3 Amp
 22.3 V @ 4 Amp
 • When all 5 outputs operated
 simultaneously, at room
 temperature