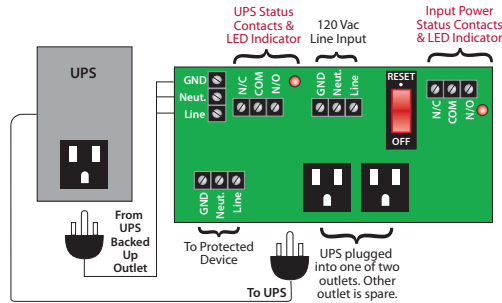


UNINTERRUPTIBLE POWER SUPPLY KIT

PSH600-UPS-STAT

600VA UPS Backup Power Control Center, Status Contacts, 12" x 14" x 6" Metal Enclosure



Shown Without Cover



SPECIFICATIONS

UPS

- UPS: 550 or 600VA
- Backup Time: 2.5 Min. @ Full 600 VA Load
10 Min. @ 1/2 Load
- Power Consumption: Up to 3 Amp @120 Vac
- Max Load: 330 Watt
- Frequency: 50/60 Hz
- Temperature Rating of UPS: 32 to 104° F
- UPS Transfer Time: 6ms
- Approvals: UL Listed, UL1778

PSH2C2RB10

- Operating Temperature: -30 to 140° F
- Humidity Range: 5 to 95% (noncondensing)
- Main Breaker ON/OFF: Switch / Breaker (10 Amp)
- Approvals: UL Listed, UL916, C-UL, CE, RoHS
- Dimensions: 12.000" H x 14.000" W x 6.000" D
Metal Housing with Screw Cover
- Origin: Made of US and non-US parts

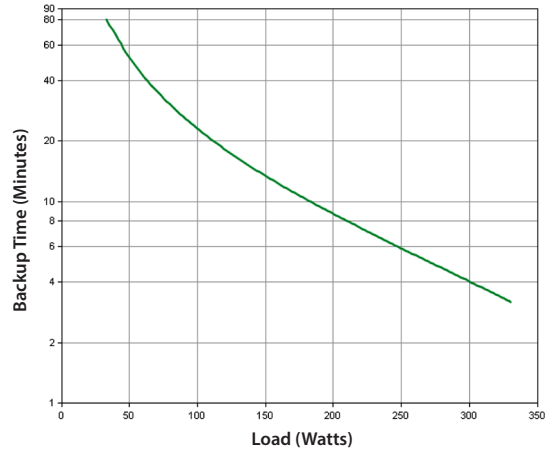
Line Input Status Contacts and UPS Output Status Contacts Rated:

- 10 Amp @ 277 Vac General Use
- 10 Amp @ 30 Vdc (N/O)
- 7 Amp @ 30 Vdc (N/C)
- 1/2 HP @ 125 Vac
- 1/4 HP @ 277 Vac
- 1000 VA @ 120 Vac Magnetic Ballast (N/C)
- C300 Pilot Duty
- 16.8 VA @ 24 Vac Pilot Duty

Notes:

- To order without UPS, so that any other commercial UPS with appropriate ratings and within housing space limitations may be used, see model PSH2C2RB10.
- To order interface board for replacement or for separate use, order model PSMN2C2RB10.
- Average battery life: 3-5 years depending on the number of discharge cycles and environmental temperature
- UPS may change based on quality and availability

ESTIMATED BACKUP TIME VS. LOAD



UPS Status Contacts and LED Indicator

The UPS status contacts and LED indicate power from the UPS. When normal power is present, the relay is energized, and the LED is on. When normal power is lost, the relay will be energized as long as the UPS can sustain it (until the UPS battery is depleted), and the LED is on.

Input Power Status Contacts and LED Indicator

The input power status contacts and LED indicate the presence of normal power. When normal power is present, the relay is energized, and the LED is on. When normal power is lost, the relay is de-energized, and the LED is off.