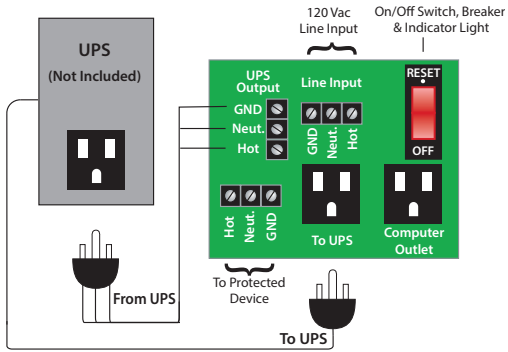


UNINTERRUPTIBLE POWER SUPPLY KIT

PSH600-UPS

600VA UPS Backup Power Control Center, 12" x 14" x 6" Metal Enclosure



Shown Without Cover



SPECIFICATIONS

UPS

- UPS: 600VA
- Backup Time: 2.5 Min. @ Full 600 VA Load
10 Min. @ 1/2 Load
- Power Consumption Up to 3 Amp @120 Vac
- Max Load: 330 Watt
- Frequency: 50/60 Hz
- Temperature Rating of UPS: 32 to 104° F
- UPS Transfer Time: 6ms
- Approvals: UL Listed, UL1778

PSH2RB10

- Operating Temperature: -30 to 140° F
- Humidity Range: 5 to 95% (noncondensing)
- Main Breaker ON/OFF: Switch / Breaker (10 Amp)
- Approvals: UL Listed, UL916, C-UL, CE, RoHS
- Dimensions: 12.000" H x 14.000" W x 6.000" D
Metal Housing with Screw Cover
- Origin: Made of US and non-US parts

Notes:

- To order without UPS, so that any other commercial UPS with appropriate ratings and within housing space limitations may be used, see model PSH2RB10.
- To order interface board for replacement or for separate use, order model PSMN2RB10.
- Average battery life: 3-5 years depending on the number of discharge cycles and environmental temperature
- UPS may change based on quality and availability

ESTIMATED BACKUP TIME VS. LOAD

