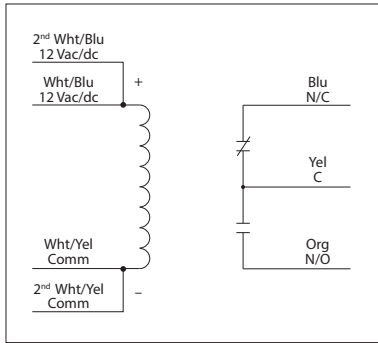


FIRE ALARM RELAYS

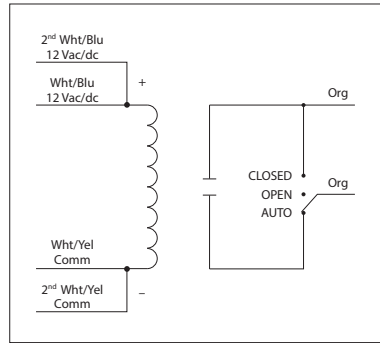
RIB12C-FA

Polarized Relay, 10 Amp SPDT, 12 Vac/dc Coil, NEMA 1 Housing



RIB12S-FA

Polarized Relay 10 Amp SPST-N/O + Override, 12 Vac/dc Coil, NEMA 1 Housing



RIB12C-FA-RD
 RIB12S-FA-RD
 • Red housing

RIB12C-FA-N4
 • NEMA 4X housing, UL508 only

SPECIFICATIONS

- # Relays & Contact Type: One (1) SPDT Continuous Duty Coil (RIB12C-FA)
 One (1) SPST Continuous Duty Coil (RIB12S-FA)
- Expected Relay Life: 10 million cycles minimum mechanical
- Operating Temperature: -30 to 140° F
- Humidity Range: 5 to 95% (noncondensing)
- Operate Time: 6ms
- Relay Status: LED On = Activated
- Dimensions: 1.70"H x 2.80"W x 1.50"D with 0.50" NPT nipple
- Housing Detail: See **Housing A** in housing guide for dimensions
- Origin: Made of US and non-US parts
- Wires: 16", 600V Rated
- Approvals: UL Listed, UL916, UL864, C-UL
 California State Fire Marshal, CE, RoHS
- Housing Rating: UL Accepted for Use in Plenum, NEMA 1
- Gold Flash: No
- Override Switch: No (RIB12C-FA)
 Yes (RIB12S-FA)

- Contact Ratings: 10 Amp General Use @ 277 Vac
 10 Amp Resistive @ 30 Vdc (N/O)
 7 Amp Resistive @ 30 Vdc (N/C)
 1/2 HP @ 125 Vac
 1 HP @ 250 Vac
 1/4 HP @ 277 Vac
 470 VA Pilot Duty @ 125 Vac
 770 VA Pilot Duty @ 250 Vac

- Coil Current: 53 mA @ 10 Vac
 62 mA @ 12 Vac
 29 mA @ 11 Vdc
 36 mA @ 12 Vdc

- Coil Voltage Input: 12 Vac/dc; 50-60 Hz
 Drop Out = 2 Vac / 2.5 Vdc
 Pull In = 9 Vac / 11 Vdc

- Notes: • Order Normally Closed by adding "NC" to end of model number (RIB12S-FA)