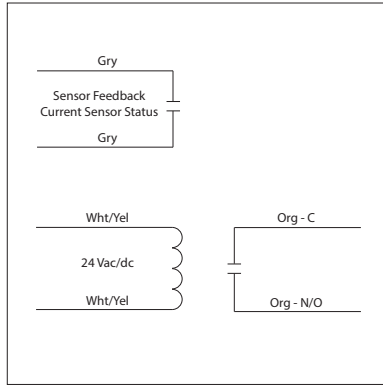


RELAY & AC CURRENT SWITCH COMBO

RIBHX24BF

Current Switch and Relay Combination, 20 Amp SPST-N/O,
 Fixed, 24 Vac/dc Coil, NEMA 1 Housing



RIBHX24BF-RD
 • Red housing



RIBHX24BF-N4
 • NEMA 4X housing, UL508 only



SPECIFICATIONS

- Expected Relay Life:** 10 million cycles minimum mechanical
- Operating Temperature:** -30 to 140° F
- Humidity Range:** 5 to 95% (noncondensing)
- Operate Time:** 20ms
- Relay Status:** Red LED On = Activated
- Current Sensor Status:** Pink LED On = Current Over Trip Point (0.25 Amp)
- Dimensions:** 1.70"H x 2.80"W x 1.50"D with 0.50" NPT nipple
- Housing Detail:** See **Housing A** in housing guide for dimensions
- Origin:** Made of US and non-US parts
- Wire Length:** 16", 600V Rated
- Approvals:** UL Listed, UL916, C-UL, CE, RoHS
- Housing Rating:** UL Accepted for Use in Plenum, NEMA 1
- Gold Flash:** No

- Contact Ratings:**
 - 20 Amp Resistive @ 277 Vac
 - 20 Amp Ballast @ 277 Vac
 - 16 Amp Electronic Ballast @ 277 Vac (N/O)
 - 10 Amp Tungsten @ 120 Vac (N/O)
 - 1,110 VA Pilot Duty @ 277 Vac
 - 770 VA Pilot Duty @ 120 Vac
 - 2 HP @ 277 Vac
 - 1 HP @ 120 Vac

- Sensor Contact:**
 - When current sensor status is off (open), leakage <30 uA @ 30Vac/dc
 - When current sensor status is on (closed), voltage drop < .3 Vac/dc @ .1 Amp
 - < 1.6 Vac/dc @ .4 Amp

- Coil Current:**
 - 128 mA @ 24 Vac
 - 71 mA @ 30 Vdc

- Sensor Type:** Internal, with contact status
- Sensor Threshold:** Fixed, .25 Amp
- Sensor Range:** .25-20 Amps
- Sensor Feedback Output:** Solid State Contact 30 Vac/dc, 100 mA

- Coil Voltage Input:**
 - 24 Vac/dc ; 50-60 Hz
 - Drop Out = 3 Vac
 - Pull In = 18 Vac