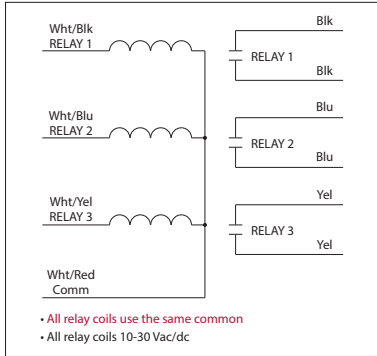


## 10 AMP PILOT CONTROL RELAYS

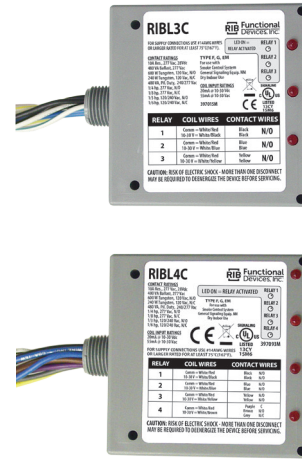
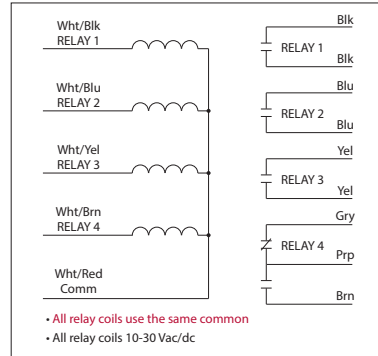
### RIBL3C

Pilot Relays, 10 Amp 3 SPST-N/O,  
 10-30 Vac/dc Coil, NEMA 1 Housing



### RIBL4C

Pilot Relays, 10 Amp 3 SPST-N/O + 1 SPDT,  
 10-30 Vac/dc Coil, NEMA 1 Housing



## SPECIFICATIONS

**# Relays & Contact Type:** Three (3) SPST Continuous Duty Coil (RIBL3C)  
 Three (3) SPST + One (1) SPDT Continuous Duty Coil (RIBL4C)

**Expected Relay Life:** 10 million cycles minimum mechanical

**Operating Temperature:** -30 to 140° F

**Humidity Range:** 5 to 95% (noncondensing)

**Operate Time:** 20ms

**Relay Status:** LED On = Activated

**Dimensions:** 4.00"H x 4.00"W x 1.81"D with 0.50" NPT nipple

**Housing Detail:** See **Housing C** in housing guide for dimensions

**Origin:** Made of US and non-US parts

**Wires:** 16", 600V Rated

**Approvals:** UL Listed, UL916, UL864, C-UL

California State Fire Marshal, CE, RoHS

**Housing Rating:** UL Accepted for Use in Plenum, NEMA 1

**Gold Flash:** Yes

**Override Switch:** No

### Contact Ratings:

10 Amp Resistive @ 277 Vac  
 10 Amp Resistive @ 28 Vdc  
 480 VA Pilot Duty @ 240-277 Vac  
 480 VA Ballast @ 277 Vac  
*Not rated for Electronic Ballast*  
 600 Watt Tungsten @ 120 Vac (N/O)  
 240 Watt Tungsten @ 120 Vac (N/C)  
 1/3 HP @ 120-240 Vac (N/O)  
 1/6 HP @ 120-240 Vac (N/C)  
 1/4 HP @ 277 Vac (N/O)  
 1/8 HP @ 277 Vac (N/C)

### Notes:

Order Normally Closed by adding "-NC" to end of model number

### Coil Current:

33 mA @ 10 Vac  
 35 mA @ 12 Vac  
 46 mA @ 24 Vac  
 55 mA @ 30 Vac  
 13 mA @ 10 Vdc  
 15 mA @ 12 Vdc  
 18 mA @ 24 Vdc  
 20 mA @ 30 Vdc

### Coil Voltage Input:

10-30 Vac/dc ; 50-60 Hz  
 Drop Out = 2.1 Vac / 2.8 Vdc  
 Pull In = 9 Vac / 10 Vdc