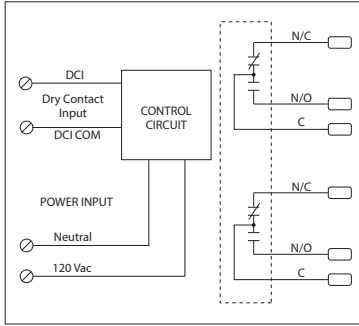


DRY CONTACT INPUT TRACK MOUNT RELAYS

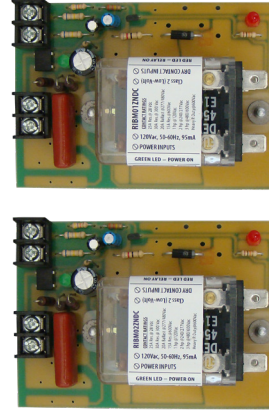
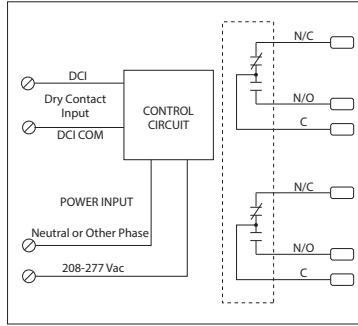
RIBM01ZNDC

Dry Contact Relay, 30 Amp DPDT, Class 2 Dry Contact Input, 120 Vac Power Input, 4.00" Track Mount



RIBM02ZNDC

Dry Contact Relay, 30 Amp DPDT, Class 2 Dry Contact Input, 208-277 Vac Power Input, 4.00" Track Mount



SPECIFICATIONS

- # Relays & Contact Type: One (1) DPDT Continuous Duty Coil
- Expected Relay Life: 10 million cycles minimum mechanical
- Operating Temperature: -30 to 140° F
- Humidity Range: 5 to 95% (noncondensing)
- Operate Time: 18ms
- Relay Status: Red LED On = Activated
- Power Status: Green LED On = Activated
- Dimensions: 2.88"H x 4.00"W x 1.50"D1/2.00"D2
- Housing Detail: See **Housing H** in housing guide for dimensions
- Origin: Made of US and non-US parts
- Track Mount: 4.000"
- Approvals: UL Component Recognized, UL916
C-UL, CE, RoHS
- Gold Flash: Yes
- Override Switch: No

- MT4 Mounting Track Sold Separately
- Contact Ratings:
 - 30 Amp Resistive @ 300 Vac 770 VA @ 120 Vac
 - 25 Amp Resistive @ 28 Vdc 1158 VA @ 240 Vac
 - 15 Amp Resistive @ 600 Vac 1109 VA @ 277 Vac
 - 3 HP @ 480-600 Vac 1640 VA @ 480 Vac
 - 2 HP @ 240/277 Vac NEMA B600 Pilot Duty
 - 1 HP @ 120 Vac
 - 20 Amp Ballast @ 277-480 Vac
- Not rated for Electronic Ballast

- Power Input:
 - 95 mA @ 120 Vac (RIBM01ZNDC)
 - 95 mA @ 208-277 Vac (RIBM02ZNDC)

- Notes:
 - Dry Contact Input Operation:
Close dry contact to activate relay.
 - If more than one dry contact input RIB shares a single dry contact input, DCI COM must be common.