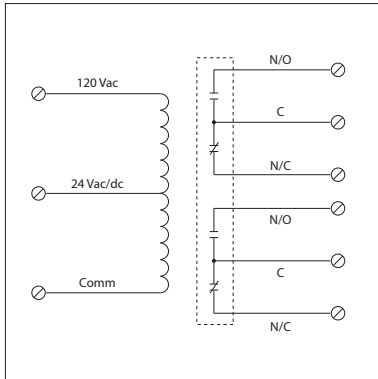


10 AMP PILOT CONTROL TRACK MOUNT RELAYS

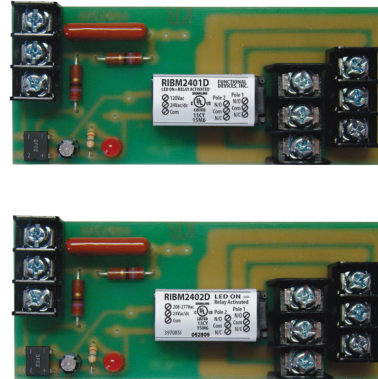
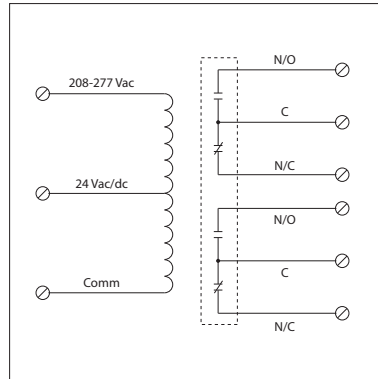
RIBM2401D

Pilot Relay, 10 Amp DPDT, 24 Vac/dc/
 120 Vac Coil, 4.00" Track Mount



RIBM2402D

Pilot Relay, 10 Amp DPDT, 24 Vac/dc/
 208-277 Vac Coil, 4.00" Track Mount



SPECIFICATIONS

Relays & Contact Type: One (1) DPDT Continuous Duty Coil
Expected Relay Life: 10 million cycles minimum mechanical
Operating Temperature: -30 to 140° F
Humidity Range: 5 to 95% (noncondensing)
Operate Time: 8ms
Relay Status: LED On = Activated
Dimensions: 1.70"H x 4.00"W x 0.75"D1/1.25"D2
Housing Detail: See **Housing H** in housing guide for dimensions
Origin: Made of US and non-US parts
Track Mount: 4.000"
MT4 Mounting Track Sold Separately
Approvals: UL Listed, UL916, C-UL, CE, RoHS
 UL864, California State Fire Marshal
Gold Flash: No
Override Switch: No

Contact Ratings:
 10 Amp Resistive @ 30 Vdc
 10 Amp General Use @ 277 Vac
 1/2 HP @ 120/240 Vac (N/O)
 1/3 HP @ 120/240 Vac (N/C)
B300 Pilot Duty
 120 Vac 30A Make 3A Break (360 VA)
 240 Vac 15 A Make 1.5A Break (360 VA)
 208 Vac 17.3A Make 1.73A Break (360 VA)
 277 Vac 13A Make 1.3A Break (360 VA)
 24 Vac 30A Make 5A Break (120VA) 5A Max

Coil Current:
 24 mA @ 18 Vac 20 mA @ 20 Vdc
 32 mA @ 24 Vac 24 mA @ 24 Vdc
 40 mA @ 30 Vac 36 mA @ 30 Vdc
 31 mA @ 120 Vac (RIBM2401D)
 36 mA @ 208-277 Vac (RIBM2402D)

Coil Voltage Input:
 24 Vac/dc ; 120 Vac ; 50-60 Hz (RIBM2401D)
 24 Vac/dc ; 208-277 Vac ; 50-60 Hz (RIBM2402D)
 Drop Out = 3 Vac / 3.8 Vdc
 Pull In = 18 Vac / 20 Vdc