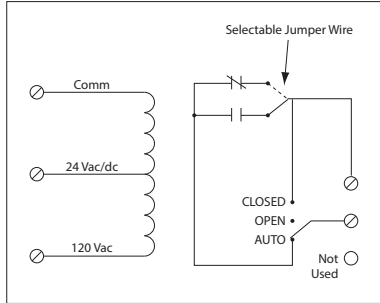


20 AMP TRACK MOUNT CONTROL RELAYS

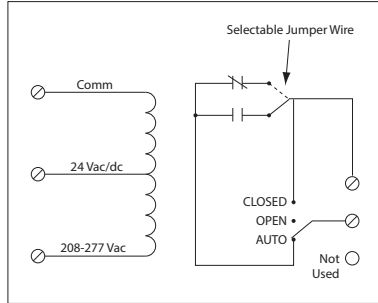
RIBM2401SB

Power Relay, 20 Amp SPST + Override,
 24 Vac/dc/120 Vac Coil, 4.00" Track Mount



RIBM2402SB

Power Relay, 20 Amp SPST + Override,
 24 Vac/dc/208-277 Vac Coil, 4.00" Track Mount



SPECIFICATIONS

Relays & Contact Type: One (1) SPST Continuous Duty Coil
Expected Relay Life: 10 million cycles minimum mechanical
Operating Temperature: -30 to 140° F
Humidity Range: 5 to 95% (noncondensing)
Operate Time: 18ms
Relay Status: LED On = Activated
Dimensions: 1.60"H x 4.00"W x 1.25"D1/1.75"D2
Housing Detail: See **Housing H** in housing guide for dimensions
Track Mount: 4.000"
Origin: Made of US and non-US parts
Approvals: UL Listed, UL916, UL864, C-UL California State Fire Marshal, CE, RoHS
Gold Flash: No
Override Switch: Yes

Contact Ratings:
 20 Amp Resistive @ 277 Vac
 20 Amp Ballast @ 277 Vac (N/O)
 10 Amp Ballast @ 277 Vac (N/C)
 Not rated for Electronic Ballast
 10 Amp Tungsten @ 120 Vac (N/O)
 1110 VA Pilot Duty @ 277 Vac
 770 VA Pilot Duty @ 120 Vac
 2 HP @ 277 Vac
 1 HP @ 120 Vac

Notes:
 • Normally Open or Normally Closed selected by yellow jumper wire

Coil Current:
 50 mA @ 18 Vac
 83 mA @ 24 Vac
 47 mA @ 120 Vac (RIBM2401B)
 69 mA @ 208-277 Vac (RIBM2402B)
 33 mA @ 22 Vdc
 35 mA @ 24 Vdc
 47 mA @ 30 Vdc

Coil Voltage Input:
 24 Vac/dc ; 120 Vac ; 50-60 Hz (RIBM2401B)
 24 Vac/dc ; 208-277 Vac ; 50-60 Hz (RIBM2402B)
 Drop Out = 2.1 Vac / 3.8 Vdc
 Pull In = 18 Vac / 22 Vdc