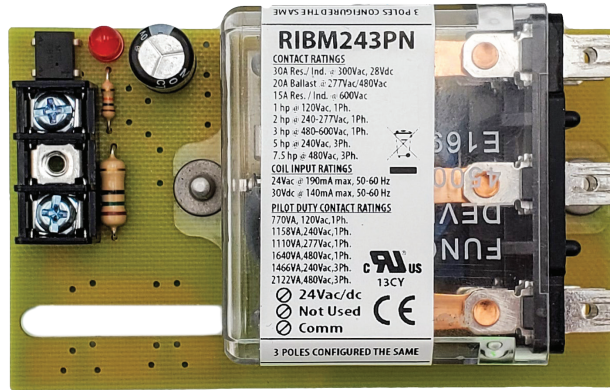
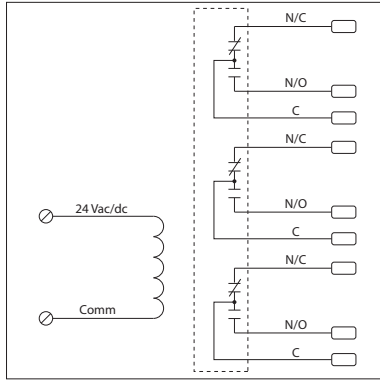


30 AMP TRACK MOUNT CONTROL RELAY

RIBM243PN

Power Relay, 30 Amp 3PDT, 24 Vac/dc Coil, 4.00" Track Mount



SPECIFICATIONS

- # Relays & Contact Type: One (1) 3PDT Continuous Duty Coil
- Expected Relay Life: 10 million cycles minimum mechanical
- Operating Temperature: -30 to 140° F
- Humidity Range: 5 to 95% (noncondensing)
- Operate Time: 20ms
- Relay Status: LED On = Activated
- Housing Detail: See **Housing H** in housing guide for dimensions
- Dimensions: 2.38"H x 4.00"W x 1.50"D1/2.00"D2
- Track Mount: 4.000"
MT4 Mounting Track Sold Separately
- Origin: Made of US and non-US parts
- Approvals: UL Component Recognized, UL916
 C-UL, CE, RoHS
- Gold Flash: No
- Override Switch: No

Contact Ratings:

- 30 Amp General Use @ 300 Vac
- 30 Amp Resistive @ 28 Vdc
- 20 Amp Ballast @ 277-480 Vac
- Not rated for Electronic Ballast
- 15 Amp Resistive @ 600 Vac
- 7.5 HP @ 480 Vac, 3 Phase
- 5 HP @ 240 Vac, 3 Phase
- 3 HP @ 480-600 Vac, 1 Phase
- 2 HP @ 240-277 Vac, 1 Phase
- 1 HP @ 120 Vac, 1 Phase
- Heavy Pilot Duty @ 600 Vac
- 770 VA @ 120 Vac, 1 Phase
- 1,158 VA @ 240 Vac, 1 Phase
- 1,110 VA @ 277 Vac, 1 Phase
- 1,640 VA @ 480 Vac, 1 Phase
- 1,466 VA @ 240 Vac, 3 Phase
- 2,122 VA @ 480 Vac, 3 Phase

Coil Current:

- 190 mA @ 24 Vac
- 140 mA @ 30 Vdc

Coil Voltage Input:

- 24 Vac/dc ; 50-60 Hz
- Drop Out = 3 Vac / 3.8 Vdc
- Pull In = 20 Vac / 22 Vdc