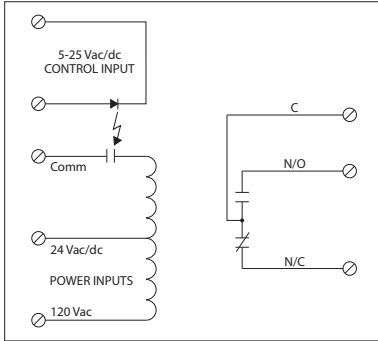


LOW COIL INPUT TRACK MOUNT RELAYS

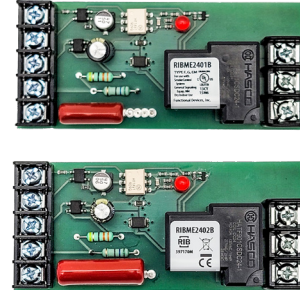
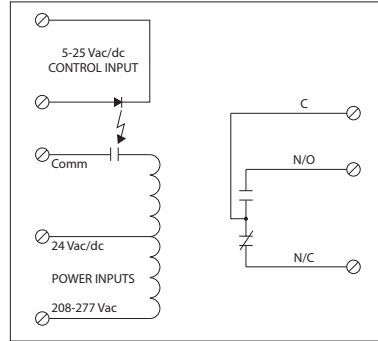
RIBME2401B

Low Input/Optoisolated Relay, 20 Amp SPDT, 24 Vac/dc/120 Vac Power Input, 5-25 Vac/dc Control Input, 4.00" Track Mount



RIBME2402B

Low Input/Optoisolated Relay, 20 Amp SPDT, 24 Vac/dc/208-277 Vac Power Input, 5-25 Vac/dc Control Input, 4.00" Track Mount



SPECIFICATIONS

Power Input: 24 Vac/dc/120 Vac, 50-60 Hz (RIBME2401B)
 24 Vac/dc/208-277 Vac, 50-60 Hz (RIBME2402B)

Control Input: 5-25 Vac/dc, 50-60 Hz

Relays & Contact Type: One (1) SPDT Continuous Duty Coil

Expected Relay Life: 10 million cycles minimum mechanical

Operating Temperature: -30 to 140° F

Humidity Range: 5 to 95% (noncondensing)

Operate Time: 18ms

Relay Status: LED On = Activated

Dimensions: 1.75"H x 4.00"W x 0.88"D1/1.38"D2

Housing Detail: See **Housing H** in housing guide for dimensions

Origin: Made of US and non-US parts

Track Mount: **MT4 Mounting Track Sold Separately**

Approvals: UL Listed, UL916, UL864, C-UL
 California State Fire Marshal, CE, RoHS

Gold Flash: No

Override Switch: No

Contact Ratings:

- 20 Amp Resistive @ 277 Vac
- 1110 VA Pilot Duty @ 277 Vac
- 770 VA Pilot Duty @ 120 Vac
- 20 Amp Ballast @ 277 Vac
- 16 Amp Electronic Ballast @ 277 Vac (N/O)
- 10 Amp Tungsten @ 120 Vac (N/O)
- 240 Watt Tungsten @ 120 Vac (N/C)
- 2 HP @ 277 Vac
- 1 HP @ 120 Vac

Power Input Ratings:

- 50 mA @ 18 Vac
- 83 mA @ 24 Vac
- 47 mA @ 120 Vac (RIBME2401B)
- 69 mA @ 208-277 Vac (RIBME2402B)
- 33 mA @ 22 Vdc
- 35 mA @ 24 Vdc
- 47 mA @ 30 Vdc

Control Input Ratings:

- .4 mA @ 5 Vdc
- .9 mA @ 10 Vdc
- 1 mA @ 12 Vdc
- 2 mA @ 24 Vdc
- 3 mA @ 24 Vac (Non Polarized)