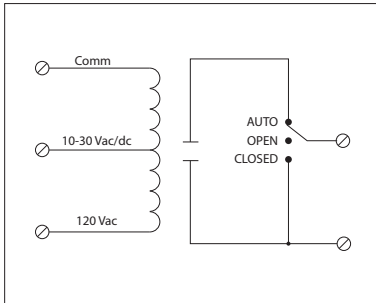


15 AMP PILOT CONTROL TRACK MOUNT RELAYS

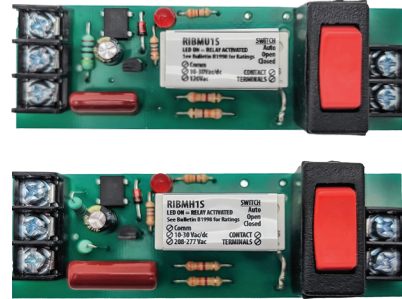
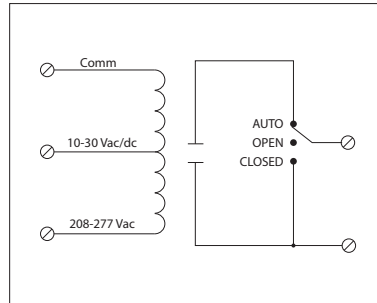
RIBMU1S

Pilot Relay, 15 Amp SPST-N/O + Override,
 10-30 Vac/dc/120 Vac Coil, 4.00" Track Mount



RIBMH1S

Pilot Relay, 15 Amp SPST-N/O + Override,
 10-30 Vac/dc/208-277 Vac Coil, 4.00" Track Mount



SPECIFICATIONS

- # Relays & Contact Type:** One (1) SPST Continuous Duty Coil
- Expected Relay Life:** 10 million cycles minimum mechanical
- Operating Temperature:** -30 to 140° F
- Humidity Range:** 5 to 95% (noncondensing)
- Operate Time:** 20ms
- Relay Status:** LED On = Activated
- Dimensions:** 1.28"H x 4.00"W x 1.25"D1/1.75"D2
- Housing Detail:** See **Housing H** in housing guide for dimensions
- Origin:** Made of US and non-US parts
- Track Mount:** 4.00"
MT4 Mounting Track Sold Separately
- Approvals:** UL Listed, UL916, C-UL, CE, RoHS
 UL864, California State Fire Marshal
- Gold Flash:** Yes
- Override Switch:** Yes

- Contact Ratings:**
- 15 Amp Resistive @ 150 Vac
- 10 Amp Resistive @ 277 Vac
- 480 VA Pilot Duty @ 277 Vac
- 480 VA Ballast @ 277 Vac
- Not rated for Electronic Ballast*
- 600 Watt Tungsten @ 120 Vac (N/O)
- 240 Watt Tungsten @ 120 Vac (N/C)
- 1/3 HP @ 120-240 Vac (N/O)
- 1/6 HP @ 120-240 Vac (N/C)
- 1/4 HP @ 277 Vac (N/O)
- 1/8 HP @ 277 Vac (N/C)

- Notes:**
- Order Normally Closed by adding "-NC" to end of model number

- Coil Current:**
- 33 mA @ 10 Vac 13 mA @ 10 Vdc
- 35 mA @ 12 Vac 15 mA @ 12 Vdc
- 46 mA @ 24 Vac 18 mA @ 24 Vdc
- 55 mA @ 30 Vac 20 mA @ 30 Vdc
- 28 mA @ 120 Vac (RIBMU1S)
- 39 mA @ 208-277 Vac (RIBMH1S)
- Coil Voltage Input:**
- 10-30 Vac/dc; 120 Vac; 50-60 Hz (RIBMU1S)
- 10-30 Vac/dc; 208-277 Vac; 50-60 Hz (RIBMH1S)
- Drop Out = 2.1 Vac / 2.8 Vdc
- Pull In = 9 Vac / 10 Vdc