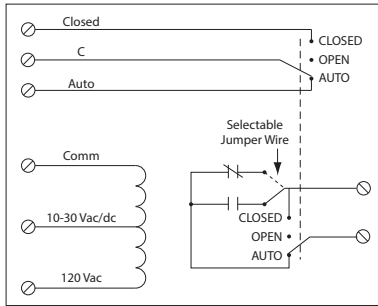


15 AMP PILOT CONTROL TRACK MOUNT RELAYS

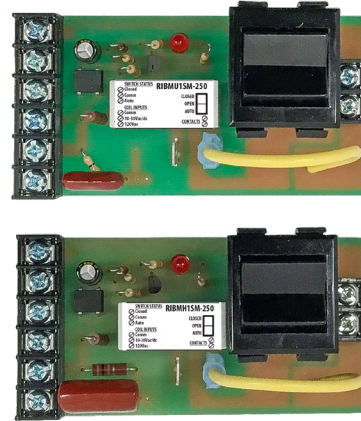
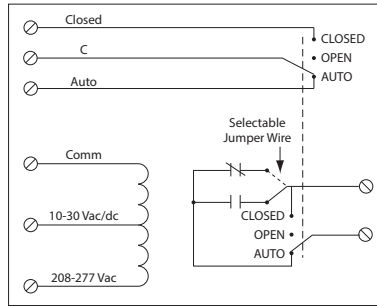
RIBMU1SM-250

Pilot Relay, 15 Amp SPST + Override + Monitor, 10-30 Vac/dc/120 Vac Coil, 4.00" Track Mount



RIBMH1SM-250

Pilot Relay, 15 Amp SPST + Override + Monitor, 10-30 Vac/dc/208-277 Vac Coil, 4.00" Track Mount



SPECIFICATIONS

- # Relays & Contact Type: One (1) SPST Continuous Duty Coil
- Expected Relay Life: 10 million cycles minimum mechanical
- Operating Temperature: -30 to 140° F
- Humidity Range: 5 to 95% (noncondensing)
- Operate Time: 20ms
- Relay Status: LED On = Activated
- Dimensions: 2.00"H x 4.00"W x 1.38"D1/1.88"D2
- Housing Detail: See **Housing H** in housing guide for dimensions
- Origin: Made of US and non-US parts
- Track Mount: 4.00"
- Approvals: **MT4 Mounting Track Sold Separately**
UL Listed, UL916, C-UL, CE, RoHS
UL864, California State Fire Marshal
- Gold Flash: Yes
- Override Switch: Yes + Monitor

- Contact Ratings:**
 - 15 Amp Resistive @ 125 Vac
 - 10 Amp Resistive @ 250 Vac
 - 345 VA Pilot Duty @ 120/240 Vac (N/O)
 - 211 VA Pilot Duty @ 120/240 Vac (N/C)
 - 1/3 HP for N/O @ 120-240 Vac
 - 1/6 HP for N/C @ 120-240 Vac
- Coil Voltage Input:**
 - 10-30 Vac/dc ; 120 Vac ; 50-60 Hz (RIBMU1SM-250)
 - 10-30 Vac/dc ; 208-277 Vac ; 50-60 Hz (RIBMH1SM-250)
 - Drop Out = 2.1 Vac / 2.8 Vdc
 - Pull In = 9 Vac / 10 Vdc

- Coil Current:**

33 mA @ 10 Vac	13 mA @ 10 Vdc
35 mA @ 12 Vac	15 mA @ 12 Vdc
46 mA @ 24 Vac	18 mA @ 24 Vdc
55 mA @ 30 Vac	20 mA @ 30 Vdc
28 mA @ 120 Vac (RIBMU1SM-250)	
39 mA @ 208-277 Vac (RIBMH1SM-250)	

- Notes:**
 - Normally Open or Normally Closed selected by yellow jumper wire
 - Second pole of override switch can be connected to digital-in of controller to report position of override switch
 - Rating of second pole is 50 Vac/dc, 0.25 Amp max