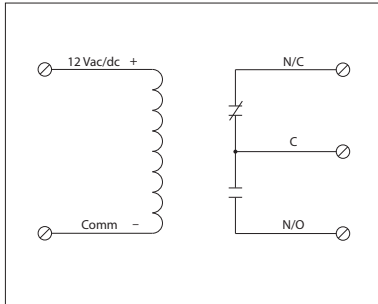


FIRE ALARM TRACK MOUNT RELAYS

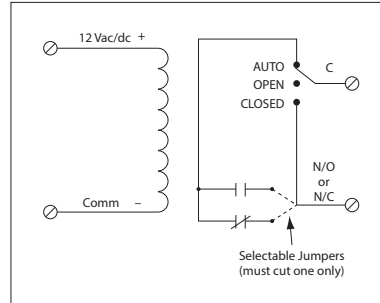
RIBMN12C-FA

Polarized Relay, 15 Amp SPDT, 12 Vac/dc Coil, 2.75" Track Mount



RIBMN12S-FA

Polarized Relay, 15 Amp SPST + Override, 12 Vac/dc Coil, 2.75" Track Mount



Cut for N/O

Cut for N/C



SPECIFICATIONS

Relays & Contact Type: One (1) SPDT Continuous Duty Coil (RIBMN12C-FA)
 One (1) SPST Continuous Duty Coil (RIBMN12S-FA)

Expected Relay Life: 10 million cycles minimum mechanical

Operating Temperature: -30 to 140° F

Humidity Range: 5 to 95% (noncondensing)

Operate Time: 6ms

Relay Status: LED On = Activated

Dimensions: 1.10"H x 2.75"W x 0.75"D1/1.25"D2 (RIBMN12C-FA)

1.25"H x 2.75"W x 1.25"D1/1.25"D2 (RIBMN12S-FA)

Housing Detail: See **Housing H** in housing guide for dimensions

Origin: Made of US and non-US parts

Track Mount: 2.750"

MT212 Mounting Track Sold Separately

Approvals: UL Listed, UL916, UL864, C-UL

California State Fire Marshal, CE, RoHS

Gold Flash: No

Override Switch: No (RIBMN12C-FA)

Yes (RIBMN12S-FA)

Contact Ratings:

15 Amp General Use @ 125 Vac
 10 Amp General Use @ 277 Vac
 10 Amp Resistive @ 30 Vdc (N/O)
 7 Amp Resistive @ 30 Vdc (N/C)
 1/2 HP @ 125 Vac
 1 HP @ 250 Vac
 1/4 HP @ 277 Vac
 470 VA Pilot Duty @ 125 Vac
 770 VA Pilot Duty @ 250 Vac

Notes:

• Must cut appropriate jumper to select Normally Open or Normally Closed (RIBMN12S-FA)

Coil Current:

53 mA @ 10 Vac
 62 mA @ 12 Vac
 29 mA @ 11 Vdc
 35 mA @ 12 Vdc

Coil Voltage Input:

12 Vac/dc; 50-60 Hz
 Drop Out = 2 Vac / 2.5 Vdc
 Pull In = 9 Vac / 11 Vdc