

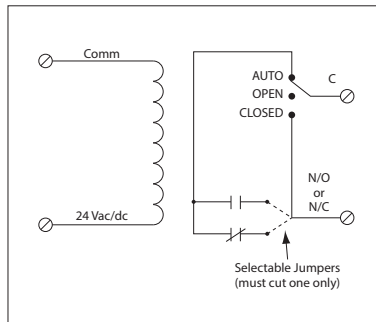
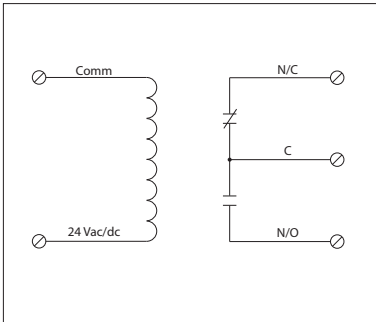
## 15 AMP PILOT CONTROL TRACK MOUNT RELAYS

### RIBMN24C-4T

Four Pilot Relays, 15 Amp SPDT, 24 Vac/dc Coil, 2.75" x 6.00" Track Mount

### RIBMN24S-4T

Four Pilot Relays, 15 Amp SPST + Override, 24 Vac/dc Coil, 2.75" x 6.00" Track Mount



## SPECIFICATIONS

**# Relays & Contact Type:** Four (4) SPDT Continuous Duty Coils (RIBMN24C-4T)  
 Four (4) SPST Continuous Duty Coils (RIBMN24S-4T)

**Expected Relay Life:** 10 million cycles minimum mechanical

**Operating Temperature:** -30 to 140° F

**Humidity Range:** 5 to 95% (noncondensing)

**Operate Time:** 6ms

**Relay Status:** LED On = Activated

**Dimensions:** 1.25"H x 2.75"W x 1.25"D1/1.75"D2 (RIBMN24C-4T)

1.25"H x 2.75"W x 1.25"D1/1.75"D2 (RIBMN24S-4T)

**Housing Detail:** See **Housing H** in housing guide for dimensions

**Origin:** Made of US and non-US parts

**Track Mount:** 2.750" x 6.000"; MT212-6 Mounting Track Included

**Approvals:** UL Listed, UL916, C-UL, CE, RoHS  
 UL864, California State Fire Marshal

**Gold Flash:** No

**Override Switch:** No (RIBMN24C-4T) ; Yes (RIBMN24S-4T)

### Contact Ratings:

15 Amp General Use @ 125 Vac

10 Amp General Use @ 277 Vac

10 Amp Resistive @ 30 Vdc (N/O)

7 Amp Resistive @ 30 Vdc (N/C)

1/2 HP @ 125 Vac

1 HP @ 250 Vac

1/4 HP @ 277 Vac

C300 Pilot Duty

### Coil Current:

26 mA @ 20 Vac

31 mA @ 24 Vac

48 mA @ 35 Vac

14 mA @ 20 Vdc

18 mA @ 24 Vdc

28 mA @ 35 Vdc

### Coil Voltage Input:

24 Vac/dc ; 50-60 Hz

Drop Out = 3 Vac / 3.8 Vdc

Pull In = 20 Vac / 20 Vdc

### Notes:

Must cut appropriate jumper to select

Normally Open or Normally Closed (RIBMN24S-4T)