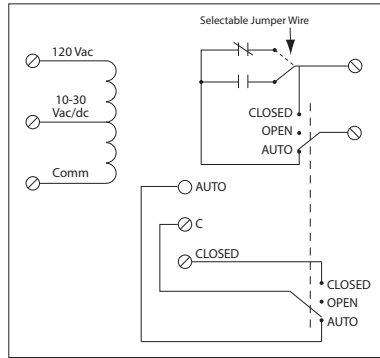


## 15 AMP PILOT CONTROL TRACK MOUNT RELAYS

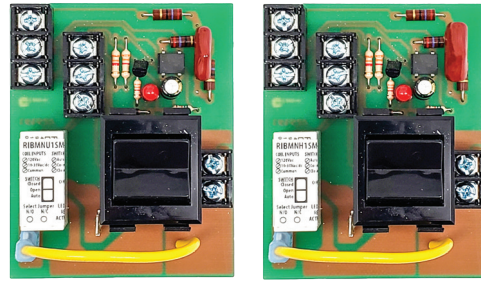
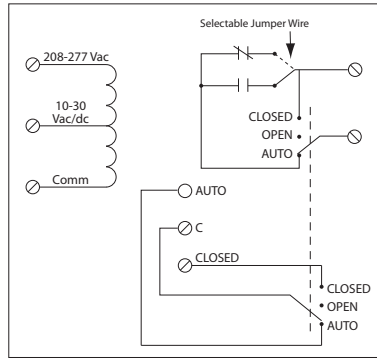
### RIBMNU1SM-250

Pilot Relay, 15 Amp SPST + Override + Monitor, 10-30 Vac/dc/120 Vac Coil, 2.75" Track Mount



### RIBMNH1SM-250

Pilot Relay, 15 Amp SPST + Override + Monitor, 10-30 Vac/dc/208-277 Vac Coil, 2.75" Track Mount



## SPECIFICATIONS

**# Relays & Contact Type:** One (1) SPST Continuous Duty Coil  
**Expected Relay Life:** 10 million cycles minimum mechanical  
**Operating Temperature:** -30 to 140° F  
**Humidity Range:** 5 to 95% (noncondensing)  
**Operate Time:** 20ms  
**Relay Status:** LED On = Activated  
**Dimensions:** 3.38"H x 2.75"W x 1.38"D1/1.88"D2  
**Housing Detail:** See **Housing H** in housing guide for dimensions  
**Origin:** Made of US and non-US parts  
**Track Mount:** 2.750"  
**MT212 Mounting Track Sold Separately**  
**Approvals:** UL Listed, UL916, UL864, C-UL  
 California State Fire Marshal, CE, RoHS  
**Gold Flash:** Yes  
**Override Switch:** Yes (with Monitor)

**Contact Ratings:**  
 15 Amp Resistive @ 125 Vac  
 10 Amp Resistive @ 250 Vac  
 345 VA Pilot Duty @ 120/240 Vac (N/O)  
 211 VA Pilot Duty @ 120/240 Vac (N/C)  
 1/3 HP @ 120-240 Vac (N/O)  
 1/6 HP @ 120-240 Vac (N/C)

**Notes:**  
 • Normally Open or Normally Closed selected by yellow jumper wire  
 • Second pole of override switch can be connected to digital-in of controller to report position of override switch  
 • Rating of second pole is 50 Vac/dc, 0.25 Amp max

**Coil Current:**  
 33 mA @ 10 Vac      13 mA @ 10 Vdc  
 35 mA @ 12 Vac      15 mA @ 12 Vdc  
 46 mA @ 24 Vac      18 mA @ 24 Vdc  
 55 mA @ 30 Vac      20 mA @ 30 Vdc  
 28 mA @ 120 Vac (RIBMNU1SM-250)  
 39 mA @ 208-277 Vac (RIBMNH1SM-250)

**Coil Voltage Input:**  
 10-30 Vac/dc; 120 Vac; 50-60 Hz (RIBMNU1SM-250)  
 10-30 Vac/dc; 208-277 Vac; 50-60 Hz (RIBMNH1SM-250)  
 Drop Out = 2.1 Vac / 2.8 Vdc  
 Pull In = 9 Vac / 10 Vdc