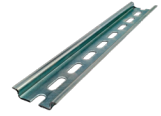


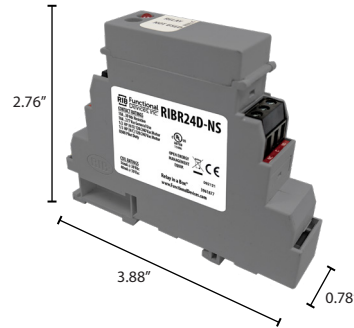
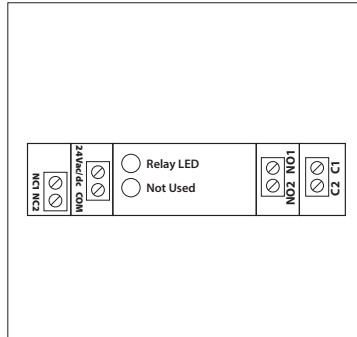
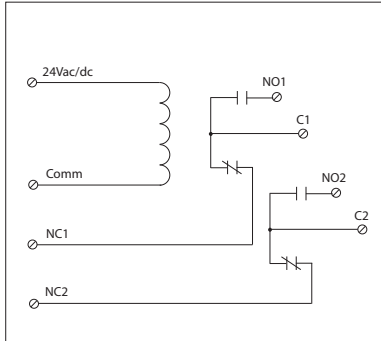
10 AMP PILOT CONTROL RELAY

RIBR24D-NS

DIN Rail Mount Relay, 10 Amp DPDT, 24 Vac/dc Coil, No Socket Non-Pluggable Relay



ADIN35
DIN Rail Perforated
35mm x 7.5mm x 1m



ADIN35ES
Pair of End Stops
for 35mm DIN Rail

SPECIFICATIONS

Relays & Contact Type: One (1) DPDT Continuous Duty Coil

Expected Relay Life: 10 million cycles minimum mechanical

Operating Temperature: -30 to 140° F

Humidity Range: 5 to 95% (noncondensing)

Operate Time: 8ms

Relay Status: LED On = Activated

Dimensions: 2.76"H x 3.88"W x 0.78"D

Housing Detail: See **Housing K** in housing guide for dimensions

Origin: Made of US and non-US parts

Terminal Strip: 14-22 AWG wire

Approvals: UL Listed, UL916, C-UL, CE, RoHS

Accessories: ADIN35, ADIN35ES

Contact Ratings:

10 Amp Resistive @ 30 Vdc

10 Amp General Use @ 277 Vac

1/2 HP @ 120-240 Vac (N/O)

1/3 HP @ 120-240 Vac (N/C)

B300 Pilot Duty

120Vac 30A Make 3A Break (360 VA)

240Vac 15A Make 1.5A Break (360 VA)

208Vac 17.3A Make 1.73A Break (360 VA)

277Vac 13A Make 1.3A Break (360 VA)

24Vac 30A Make 5A Break (120VA) 5A Max

Power and Control Current:

24 mA @ 18 Vac 20 mA @ 20 Vdc

32 mA @ 24 Vac 24 mA @ 24 Vdc

40 mA @ 30 Vac 36 mA @ 24 Vdc

Coil Voltage Input:

24 Vac/dc ; 50-60 Hz

Drop Out = 3 Vac / 3.8 Vdc

Pull In = 18 Vac / 20 Vdc

Notes:

Models ADIN35 and ADIN35ES sold separately.