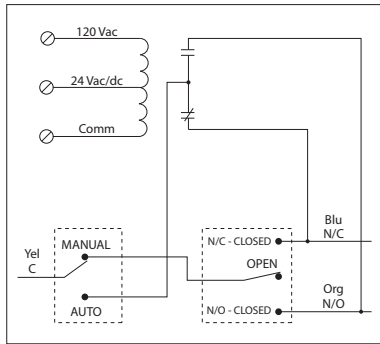


20 AMP POWER CONTROL RELAYS

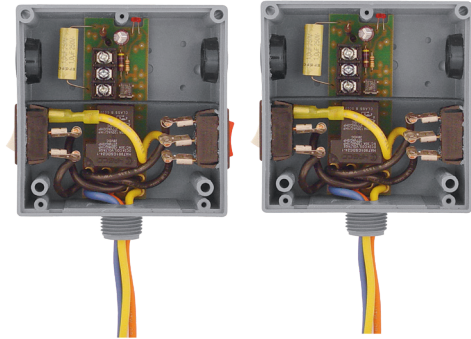
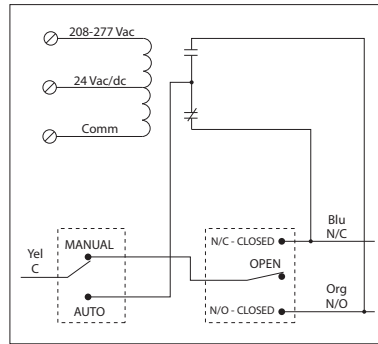
RIBT2401SBC

Power Relay, 20 Amp SPDT + Override,
 24 Vac/dc/120 Vac Coil, Hi/Lo Voltage
 Separation, NEMA 1 Housing



RIBT2402SBC

Power Relay, 20 Amp SPDT + Override,
 24 Vac/dc/208-277 Vac Coil, Hi/Lo Voltage
 Separation, NEMA 1 Housing



SPECIFICATIONS

Relays & Contact Type: One (1) SPDT Continuous Duty Coil
Expected Relay Life: 10 million cycles minimum mechanical
Operating Temperature: -30 to 140° F
Humidity Range: 5 to 95% (noncondensing)
Operate Time: 18ms
Relay Status: LED On = Activated
Dimensions: 4.000"H x 4.000"W x 1.810"D with .50" NPT Nipple
Housing Detail: See **Housing C** in housing guide for dimensions
Origin: Made of US and non-US parts
Wires: 16', 600V Rated
Approvals: UL Listed, UL916, UL864, C-UL
 California State Fire Marshal, CE, RoHS
Housing Rating: UL Accepted for Use in Plenum, NEMA 1
Gold Flash: No
Override Switch: Yes (2)

Contact Ratings:
 20 Amp Resistive @ 277 Vac
 20 Amp Ballast @ 277 Vac (N/O)
 10 Amp Ballast @ 277 Vac (N/C)
 Not rated for Electronic Ballast
 10 Amp Tungsten @ 120 Vac (N/O)
 1,110 VA Pilot Duty @ 277 Vac
 770 VA Pilot Duty @ 120 Vac
 2 HP @ 277 Vac
 1 HP @ 120 Vac

Coil Current:
 50 mA @ 18 Vac
 83 mA @ 24 Vac
 47 mA @ 120 Vac (RIBT2401SBC)
 69 mA @ 208-277 Vac (RIBT2402SBC)
 33 mA @ 22 Vdc
 35 mA @ 24 Vdc
 47 mA @ 30 Vdc

Coil Voltage Input:
 24 Vac/dc ; 120 Vac ; 50-60 Hz (RIBT2401SBC)
 24 Vac/dc ; 208-277 Vac ; 50-60 Hz (RIBT2402SBC)
 Drop Out = 2.1 Vac / 3.8 Vdc
 Pull In = 18 Vac / 22 Vdc