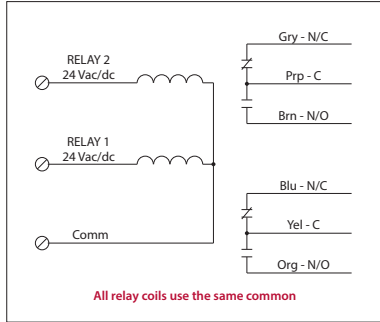


## 20 AMP POWER CONTROL RELAYS

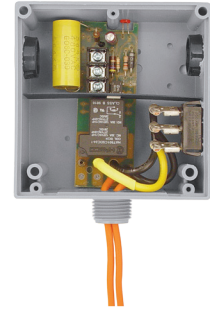
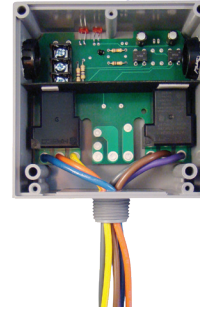
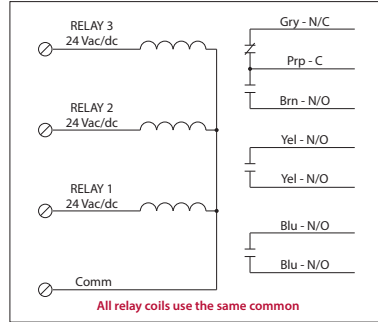
### RIBT242B

Power Relays, 20 Amp 2 SPDT, 24 Vac/dc Coil, Hi/Lo Voltage Separation, NEMA 1 Housing



### RIBT243B

Power Relays, 20 Amp 2 SPST-N/O + 1 SPDT, 24 Vac/dc Vac Coil, Hi/Lo Voltage Separation, NEMA 1 Housing



## SPECIFICATIONS

**# Relays & Contact Type:** Two (2) SPDT Continuous Duty Coil (RIBT242B)  
 Two (2) SPST + One (1) SPDT Continuous Duty Coil (RIBT243B)

**Expected Relay Life:** 10 million cycles minimum mechanical

**Operating Temperature:** -30 to 140° F

**Humidity Range:** 5 to 95% (noncondensing)

**Operate Time:** 18ms

**Relay Status:** LED On = Activated

**Dimensions:** 4.000"H x 4.000"W x 1.800"D with .50" NPT Nipple

**Housing Detail:** See **Housing C** in housing guide for dimensions

**Origin:** Made of US and non-US parts

**Wires:** 16", 600V Rated

**Approvals:** UL Listed, C-UL, CE, RoHS (Both Models)

UL916 (RIBT243B)

UL864, California State Fire Marshal (RIBT242B)

**Housing Rating:** UL Accepted for Use in Plenum, NEMA 1

**Gold Flash:** No

**Override Switch:** No

### Contact Ratings:

20 Amp Resistive @ 277 Vac

5 Amp Resistive @ 480 Vac

20 Amp Ballast @ 277 Vac

16 Amp Electronic Ballast @ 277 Vac (N/O)

10 Amp Tungsten @ 120 Vac (N/O)

770 VA Pilot Duty @ 120 Vac

1,110 VA Pilot Duty @ 277 Vac

2 HP @ 277 Vac

1 HP @ 120 Vac

### Coil Voltage Input:

24 Vac/dc ; 50-60 Hz

Drop Out = 2.1 Vac / 3.8 Vdc

Pull In = 18 Vac / 22 Vdc

### Coil Current:

50 mA @ 18 Vac

83 mA @ 24 Vac

33 mA @ 22 Vdc

35 mA @ 24 Vdc

47 mA @ 30 Vdc

### Notes:

- RIBT243B not rated for UL864