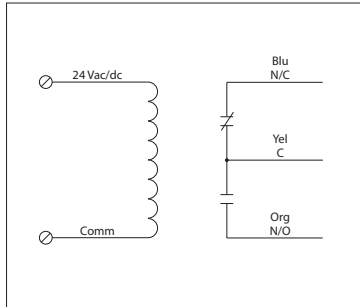


20 AMP POWER CONTROL RELAYS

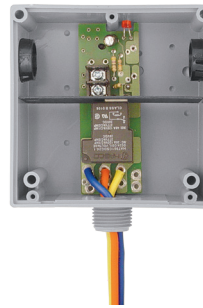
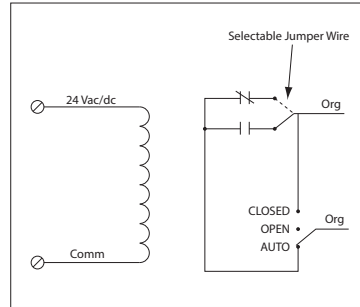
RIBT24B

Power Relay, 20 Amp SPDT, 24 Vac/dc Coil, Hi/Lo Voltage Separation, NEMA 1 Housing



RIBT24SB

Power Relay, 20 Amp SPST + Override, 24 Vac/dc Coil, Hi/Lo Voltage Separation, NEMA 1 Housing



SPECIFICATIONS

Relays & Contact Type: One (1) SPDT Continuous Duty Coil (RIBT24B)
 One (1) SPST Continuous Duty Coil (RIBT24SB)

Expected Relay Life: 10 million cycles minimum mechanical

Operating Temperature: -30 to 140° F

Humidity Range: 5 to 95% (noncondensing)

Operate Time: 18ms

Relay Status: LED On = Activated

Dimensions: 4.000"H x 4.000"W x 1.810"D with .50" NPT Nipple

Housing Detail: See **Housing C** in housing guide for dimensions

Origin: Made of US and non-US parts

Wires: 16", 600V Rated

Approvals: UL Listed, UL916, UL864, C-UL
 California State Fire Marshal, CE, RoHS

Housing Rating: UL Accepted for Use in Plenum, NEMA 1

Gold Flash: No

Override Switch: No (RIBT24B)
 Yes (RIBT24SB)

Contact Ratings: (RIBT24B)

- 20 Amp Resistive @ 277 Vac
- 5 Amp Resistive @ 480 Vac
- 20 Amp Ballast @ 277 Vac
- 16 Amp Electronic Ballast @ 277 Vac (N/O)
- 10 Amp Tungsten @ 120 Vac (N/O)
- 770 VA Pilot Duty @ 120 Vac
- 1,110 VA Pilot Duty @ 277 Vac
- 2 HP @ 277 Vac
- 1 HP @ 120 Vac

Coil Current:

- 45 mA @ 18 Vac
- 75 mA @ 24 Vac
- 30 mA @ 22 Vdc
- 32 mA @ 24 Vdc
- 42 mA @ 30 Vdc

Coil Voltage Input:

- 24 Vac/dc ; 50-60 Hz
- Drop Out = 2.1 Vac / 3.8 Vdc
- Pull In = 18 Vac / 22 Vdc

Contact Ratings: (RIBT24SB)

- 20 Amp Resistive @ 277 Vac
- 20 Amp Ballast @ 277 Vac (N/O)
- 10 Amp Ballast @ 277 Vac (N/C)
- Not rated for Electronic Ballast
- 10 Amp Tungsten @ 120 Vac (N/O)
- 770 VA Pilot Duty @ 120 Vac
- 1,110 VA Pilot Duty @ 277 Vac
- 2 HP @ 277 Vac
- 1 HP @ 120 Vac

Notes:

- Normally Open or Normally Closed selected by yellow jumper wire (RIBT24SB)