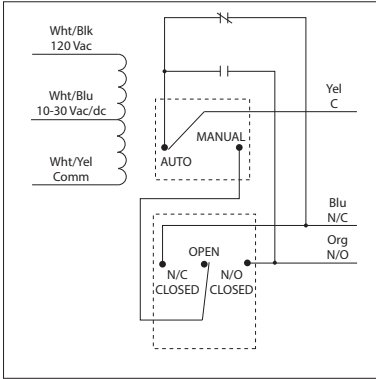


## 10 AMP PILOT CONTROL RELAYS

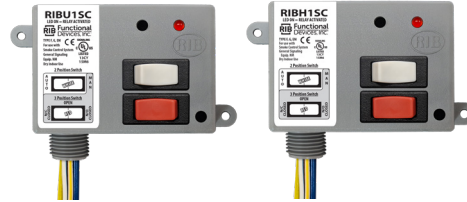
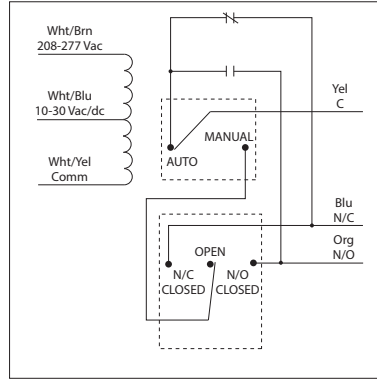
### RIBU1SC

Pilot Relay, 10 Amp SPDT + Override,  
 10-30 Vac/dc/120 Vac Coil, NEMA 1 Housing



### RIBH1SC

Pilot Relay, 10 Amp SPDT + Override,  
 10-30 Vac/dc/208-277 Vac Coil, NEMA 1 Housing



## SPECIFICATIONS

**# Relays & Contact Type:** One (1) SPDT Continuous Duty Coil

**Expected Relay Life:** 10 million cycles minimum mechanical

**Operating Temperature:** -30 to 140° F

**Humidity Range:** 5 to 95% (noncondensing)

**Operate Time:** 20ms

**Relay Status:** LED On = Activated

**Dimensions:** 2.39"H x 3.31"W x 1.81"D with 0.50" NPT nipple

**Housing Detail:** See **Housing B** in housing guide for dimensions

**Origin:** Made of US and non-US parts

**Wires:** 16", 600V Rated

**Approvals:** UL Listed, UL916, C-UL, CE, RoHS

**Housing Rating:** UL Accepted for Use in Plenum, NEMA 1

**Gold Flash:** Yes

**Override Switch:** Yes (2)

### Contact Ratings:

10 Amp Resistive @ 277 Vac

480 VA Pilot Duty @ 277 Vac

480 VA Ballast @ 277 Vac

*Not rated for Electronic Ballast*

600 Watt Tungsten @ 120 Vac (N/O)

240 Watt Tungsten @ 120 Vac (N/C)

1/3 HP @ 120-240 Vac (N/O)

1/6 HP @ 120-240 Vac (N/C)

1/4 HP @ 277 Vac (N/O)

1/8 HP @ 277 Vac (N/C)

### Coil Current:

33 mA @ 10 Vac

35 mA @ 12 Vac

46 mA @ 24 Vac

55 mA @ 30 Vac

28 mA @ 120 Vac (RIBU1SC)

39 mA @ 208-277 Vac (RIBH1SC)

13 mA @ 10 Vdc

15 mA @ 12 Vdc

18 mA @ 24 Vdc

20 mA @ 30 Vdc

### Coil Voltage Input:

10-30 Vac/dc; 120 Vac; 50-60 Hz (RIBU1SC)

10-30 Vac/dc; 208-277 Vac; 50-60 Hz (RIBH1SC)

Drop Out = 2.1 Vac / 2.8 Vdc

Pull In = 9 Vac / 10 Vdc