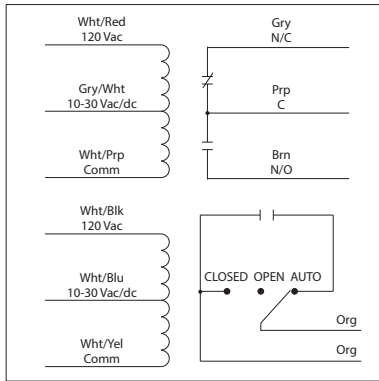


10 AMP PILOT CONTROL RELAY

RIBU2SC

Pilot Relays, 10 Amp SPST-N/O + Override + 1 SPDT,
 10-30 Vac/dc/120 Vac Coil, NEMA 1 Housing



SPECIFICATIONS

Relays & Contact Type: One (1) SPST + One (1) SPDT
 Continuous Duty Coil

Expected Relay Life: 10 million cycles minimum mechanical

Operating Temperature: -30 to 140° F

Humidity Range: 5 to 95% (noncondensing)

Operate Time: 20ms

Relay Status: LED On = Activated

Dimensions: 2.39"H x 3.31"W x 1.81"D with 0.75" NPT nipple

Housing Detail: See **Housing B** in housing guide for dimensions

Origin: Made of US and non-US parts

Wires: 16", 600V Rated

Approvals: UL Listed, UL916, C-UL, CE, RoHS

Housing Rating: UL Accepted for Use in Plenum, NEMA 1

Gold Flash: Yes

Override Switch: Yes

Contact Ratings:

- 10 Amp Resistive @ 277 Vac
- 480 VA Pilot Duty @ 277 Vac
- 480 VA Ballast @ 277 Vac
- Not rated for Electronic Ballast
- 600 Watt Tungsten @ 120 Vac (N/O)
- 240 Watt Tungsten @ 120 Vac (N/C)
- 1/3 HP @ 120-240 Vac (N/O)
- 1/6 HP @ 120-240 Vac (N/C)
- 1/4 HP @ 277 Vac (N/O)
- 1/8 HP @ 277 Vac (N/C)

Coil Current:

- 33 mA @ 10 Vac
- 35 mA @ 12 Vac
- 46 mA @ 24 Vac
- 55 mA @ 30 Vac
- 28 mA @ 120 Vac
- 13 mA @ 10 Vdc
- 15 mA @ 12 Vdc
- 18 mA @ 24 Vdc
- 20 mA @ 30 Vdc

Coil Voltage Input:

- 10-30 Vac/dc ; 120 Vac ; 50-60 Hz
- Drop Out = 2.1 Vac / 2.8 Vdc
- Pull In = 9 Vac / 10 Vdc

Notes:
 Order Normally Closed by adding
 "-NC" to end of model number