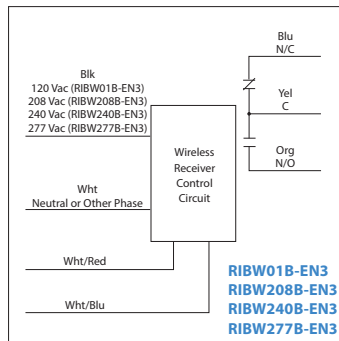


## WIRELESS CONTROL RELAYS WITH TWO-WAY COMMUNICATION

### RIBW01B-EN3

EnOcean 902 MHz Wireless Relay, Transceiver / Repeater, 20 Amp SPDT, 120 Vac Power Input, Dry Contact Input, NEMA 1 Housing



### RIBW208B-EN3

EnOcean 902 MHz Wireless Relay, Transceiver / Repeater, 20 Amp SPDT, 208 Vac Power Input, Dry Contact Input, NEMA 1 Housing

### RIBW240B-EN3

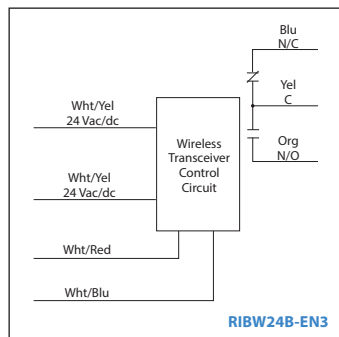
EnOcean 902 MHz Wireless Relay, Transceiver / Repeater, 20 Amp SPDT, 240 Vac Power Input, Dry Contact Input, NEMA 1 Housing

### RIBW277B-EN3

EnOcean 902 MHz Wireless Relay, Transceiver / Repeater, 20 Amp SPDT, 277 Vac Power Input, Dry Contact Input, NEMA 1 Housing

### RIBW24B-EN3

EnOcean 902 MHz Wireless Relay, Transceiver / Repeater, 20 Amp SPDT, 24 Vac/dc Power Input, Dry Contact Input, NEMA 1 Housing



**RELAY HAS BUILT-IN REPEATER FUNCTION. RELAY RECEIVES SIGNAL FROM WIRELESS SWITCH TRANSMITTER AND REBROADCASTS THE SIGNAL TO THE NEXT RELAY RECEIVER.**



enocean alliance Member

## SPECIFICATIONS

**# Relays & Contact Type:** One (1) SPDT Continuous Duty Coil  
**Expected Relay Life:** 10 million cycles minimum mechanical  
**Operating Temperature:** -30 to 140° F  
**Humidity Range:** 5 to 95% (noncondensing)  
**Red LED:** Relay Status / Learn Mode Status (Flashing)  
**Dimensions:** 2.39"H x 3.31"W x 1.81"D with 0.50" NPT nipple  
**Housing Details:** See **Housing B** in housing guide for demensions  
**Wires:** 16", 600V Rated  
**Approvals:** UL Listed, UL916, C-UL, RoHS  
**Agency Compliance:** FCCID: SZV-TCM320U  
 IC: 5713A-TCM320U  
**Housing Rating:** UL Accepted for Use in Plenum, NEMA 1  
**Gold Flash:** No  
**Override Switch:** No  
**Frequency:** 902 MHz  
**Receiver Sensitivity:** -93 dBm typical  
**Conducted Power:** 5 mW typical  
**Built-in Switch Modes:** Alarm, Repeater, Delay, Rocker, Momentary, and Toggle  
**Origin:** Made of US and non-US parts

**Contact Ratings:**  
 20 Amp Resistive @ 277 Vac  
 20 Amp Ballast @ 277 Vac  
 16 Amp Electronic Ballast @ 277 Vac (N/O)  
 10 Amp Tungsten @ 120 Vac (N/O)  
 770 VA Pilot Duty @ 120 Vac  
 1,110 VA Pilot Duty @ 277 Vac  
 2 HP @ 277 Vac  
 1 HP @ 120 Vac

**Power Input Ratings:**  
 73 mA @ 120 Vac ; 60 Hz (RIBW01B-EN3)  
 80 mA @ 208 Vac ; 60 Hz (RIBW208B-EN3)  
 80 mA @ 240 Vac ; 60 Hz (RIBW240B-EN3)  
 80 mA @ 277 Vac ; 60 Hz (RIBW277B-EN3)  
 69 mA @ 24 Vdc (RIBW24B-EN3)  
 139 mA @ 24 Vac (RIBW24B-EN3)

### Notes:

- Compatible with EnOcean® 902 MHz Switches/Transmitters.
- Typical range: 50-150 ft.
- Open area transmission could be farther. Consult factory for more information.
- Repeater function only rebroadcasts original EnOcean® transmission. Up to two repeaters can be used.
- Version 1.5 firmware or later implements Functional Devices, Inc.'s EnOcean® Manufacturer ID of 0x055.
- For setup instructions, see website for **-EN3 Series Application Manual:**  
[www.functionaldevices.com/wp-content/uploads/2021/12/B1867\\_393231.pdf](http://www.functionaldevices.com/wp-content/uploads/2021/12/B1867_393231.pdf)

## APPLICATION FOR WIRELESS CONTROL & FEEDBACK IN A BUILDING AUTOMATION SYSTEM

