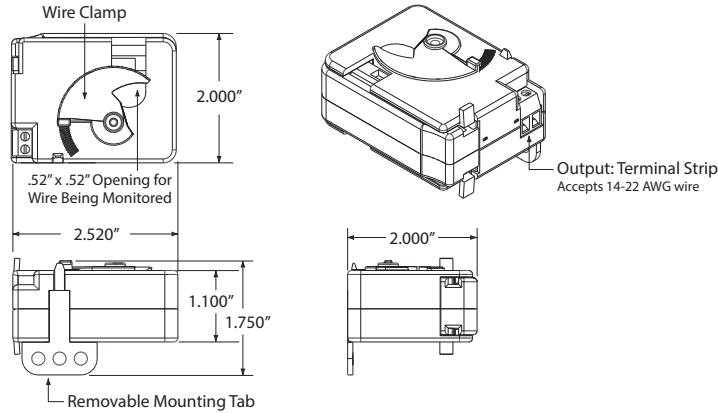


AC TRANSDUCERS

RIBXGTV5-10

Current Transducer, Split Core, 0-10 Amp, 0-5 Vdc Terminal Output



SPECIFICATIONS

- Operating Temperature:** -30 to 140° F
- Humidity Range:** 5 to 95% (noncondensing)
- Accuracy:** 98.3% Full Scale
- Loading:** 5% Error @ 58 kΩ
- Max Sense Voltage:** 600 Vac
- Approvals:** UL Listed, UL916, UL864, California State Fire Marshal, C-UL, CE, RoHS
- Mounting/Installation:** Removable mounting tab provided. The wire clamp locks against the wire being monitored, securing the unit in place.
- Sensor Type:** Split core with voltage output
- Origin:** Made of US and non-US parts

