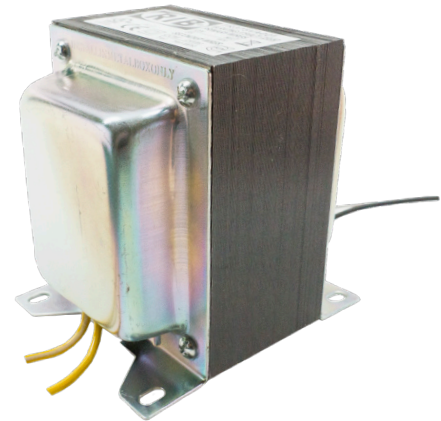
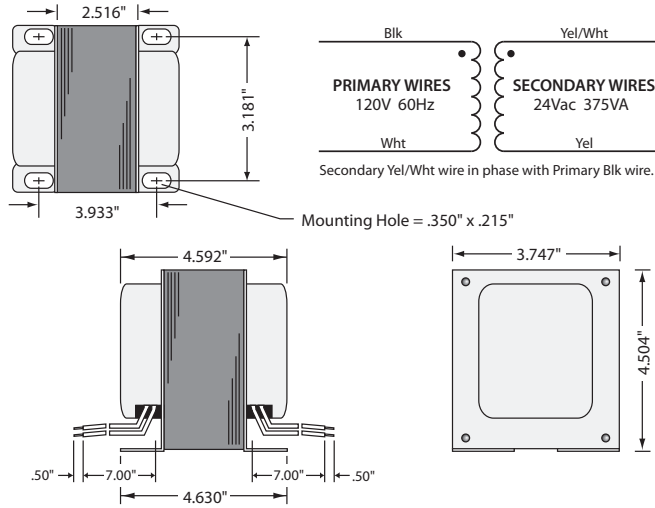


TRANSFORMER

TR375VA001

Transformer 375 VA, 120 to 24 Vac, Foot Mount, Dual Bottom Openings



SPECIFICATIONS

- VA Rating:** 375
- Frequency:** 50/60 Hz
- Mounting:** Foot
- Over Current Protection:** None
- Dimensions:** 4.592" x 3.747" x 4.504"
- Wire Length:** 7.0" Typical w/ .5" Strip
- Operating Temperature:** -30 to 140° F
- MTBF:** 100,00 Hours @ 77° F
- Construction:** Split-Bobbin
- Approvals:** UL5085-2 Listed General Purpose, C-UL, CE, RoHS