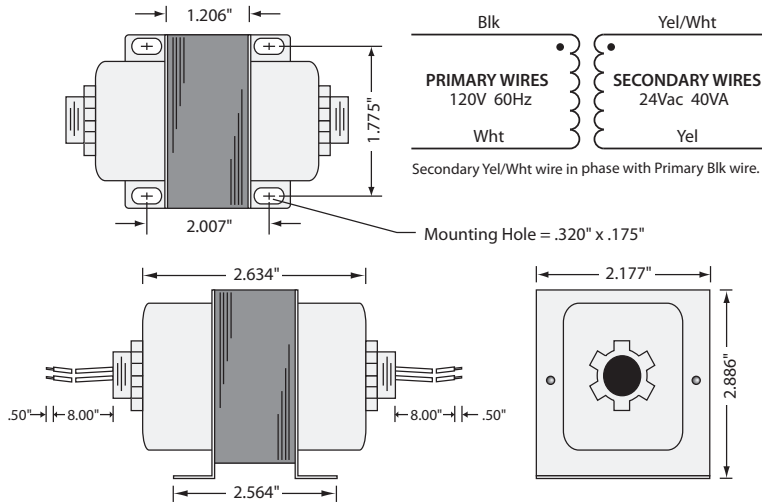


TRANSFORMER

TR40VA002

Transformer 40 VA, 120 to 24 Vac, Foot and Dual Threaded Hub Mount



SPECIFICATIONS

- VA Rating:** 40
- Frequency:** 50/60 Hz
- Mounting:** Foot & Dual Threaded Hubs
- Over Current Protection:** Inherently Limited
- Dimensions:** 2.634" x 2.177" x 2.886" (w/ .500" NPT Hubs)
- Wire Length:** 8" Typical w/ .5" Strip
- Operating Temperature:** -30 to 140° F
- MTBF:** 100,000 Hours @ 77° F
- Construction:** Split-Bobbin
- Approvals:** Class 2 UL5085-3 Listed, C-UL, CE, RoHS