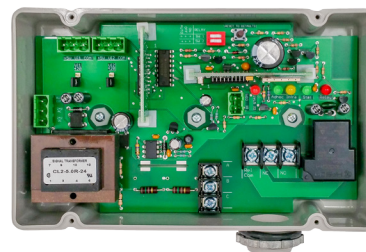
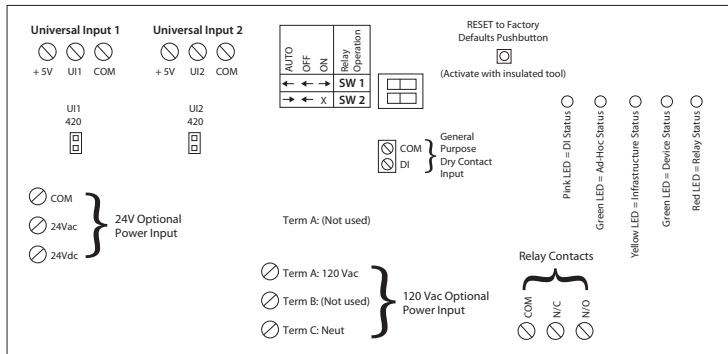


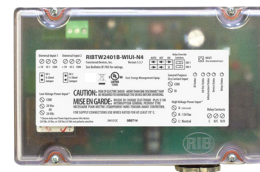
## RIBTW2401B-WIUI-N4

Wifi IEEE 802.11 b/g Network Enclosed I/O Device: One Discrete Output (20 Amp Relay SPDT + Override), One Discrete Input (Dry Contact, Class 2); Two Universal Inputs; 24 Vac/dc, 120 Vac Power



RELAYS

Shown With Cover



Code Version 4.7.1.1.0



## SPECIFICATIONS

- # Relays & Contact Type:** One (1) SPDT Continuous Duty Coil
- Expected Relay Life:** 10 million cycles minimum mechanical
- Operating Temperature:** -30 to 140° F
- Operate Time:** 18ms
- Pink LED:** Digital Input Status
- Green LED:** Wifi Ad-Hoc Status
- Yellow LED:** Wifi Infrastructure Status
- Green LED:** Device Status
- Red LED:** Relay Status
- Dimensions:** 4.28" x 7.00" x 2.00" with .75" NPT Nipple
- Approvals:** UL Listed, UL916, C-UL, FCC, Wifi Certified ASD Device
- Housing Rating:** UL Accepted for Use in Plenum, NEMA 4X
- Gold Flash:** No
- Relay Override Switch:** DIP Switch Control
- Wifi:** IEEE 802.11 b/g/n Compatible, (G) 54 Mbps Data Rate, -95 dBm Sensitivity, +16 dBm Output Power (WPA-PSK or WPA-2-PSK Available), Supports PING and ARP, DSSS Modulation
- Security:** Customer can choose to have Webpage and Controller Commands authentication-secured with Username and Password.

- Contact Ratings:**
  - 20 Amp Resistive @ 277 Vac
  - 5 Amp Resistive @ 480 Vac
  - 20 Amp Ballast @ 277 Vac
  - 16 Amp Electronic Ballast @ 277 Vac (N/O)
  - 10 Amp Tungsten @ 120 Vac (N/O)
  - 1110 VA Pilot Duty @ 277 Vac
  - 770 VA Pilot Duty @ 120 Vac
  - 1 HP @ 120 Vac
  - 2 HP @ 277 Vac

- Power Input Ratings:**
  - 158 mA Max @ 24 Vac
  - 110 mA Max @ 24 Vdc
  - 55 mA Max @ 120 Vac

- Available TCP/IP Settings:**
  - IP Address (Static)
  - Port Number
  - Subnet Mask
  - Gateway Address
  - Ad-Hoc mode (Default)
  - Infrastructure mode
  - Scan for wireless networks

- Device Settings:**
  - Local Override
  - Reset to Network Defaults Pushbutton

- Power Input (Use one):**
  - 24 Vac = Terminal Strip (20 Vac min. ; 28 Vac max.)
  - 24 Vdc = Terminal Strip (24 Vdc min. ; 28 Vdc max.)
  - 120 Vac = Terminal Strip

- Device Settings by Network:**
  - Power up default relay state
  - Host name and location labels
  - Relay bound to digital input
  - Username and Password security:
    - Note: There will be no security if password field is left blank. A password may be entered that will secure the webpage as well as Controller Commands. Eight alpha-numerical characters case-sensitive.

- **Setup instructions available on website.**
  - [http://www.functionaldevices.com/pdf/bulletins/B1783\\_393223.pdf](http://www.functionaldevices.com/pdf/bulletins/B1783_393223.pdf)



Or scan QR code with your smart phone.

### CAUTION: Remove all connections to UI 1 and UI 2 when setting input.

Universal Input: Configurable by internal device web page, accessible in either Ad-Hoc or Infrastructure.

- Analog value returned, user configurable min. and max. scale, and label, 0-5 Vdc, 0-10 Vdc, or 4-20 mA\*, connect between UI and Com.
- Direct temperature reading from Type T2 Thermistor. Connect between +5 Vdc and UI input.
- Digital Input, connect between +5 Vdc and UI input.

\* 4-20 mA, when used, requires jumper to be installed on UI set for 4-20 mA input. Jumper MUST be removed when UI input used as anything other than 4-20 mA.

For application manual, please visit: [www.functionaldevices.com](http://www.functionaldevices.com)