



Single Phase/  
Three Phase -  
ODP MOTOR



Three Phase -  
TEFC MOTOR

## A Series LifeStar® Aquatic Pump

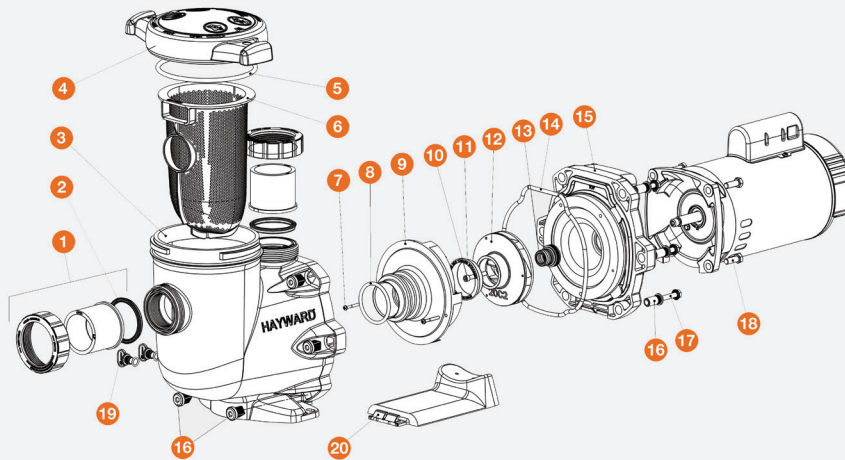
1/2, 3/4, 1, 1-1/2, 2, 3, 5 HP

### KEY FEATURES

- Ideal for Sensitive Aquatic Environments or Salt Water Systems
- All Wetted Hardware Manufactured from 316 Stainless Steel
- Silicon Carbide Shaft Seal Suitable for Fresh and Salt Water Use
- Corrosion Resistant Housing
- Self-Priming Pump
- Suitable For High Volume Pumping
- Clear High Capacity Basket Strainer Lid for Visual Inspection
- Elevated Base Ensures Better Ventilation and Protection from Flooding
- Perforated HDPE Basket

## TECHNICAL INFORMATION

### EXPLODED VIEW



### SPECIFICATIONS

<b>PUMP HOUSING</b>	Glass Filled Polypropylene	<b>MAIN HOUSING GASKET</b>	EPDM
<b>CONNECTIONS</b>	T2" True Union Socket	<b>MOTOR BOLTS</b>	316 SS
<b>MOTOR SHAFT</b>	303 SS (Non-Wetted)	<b>HOUSING BOLTS</b>	316 SS
<b>SHAFT FACE SEAL</b>	Silicon Carbide/Silicon Carbide	<b>MOTORS</b>	Single Phase - Open Drip Proof (ODP) Three Phase Totally Enclosed Fan Cooled (TEFC)
<b>SHAFT SECONDARY SEAL</b>	EPDM	<b>HP RATINGS</b>	1/2, 3/4, 1, 1-1/2, 2, 3, 5
<b>ALL WETTED HARDWARE</b>	316 SS (Impeller Insert, Impeller Screw and 2 Diffuser Screws)	<b>STRAINER BASKET</b>	HDPE

# A Series LifeStar® Aquatic Pump

1/2, 3/4, 1, 1-1/2, 2, 3, 5 HP

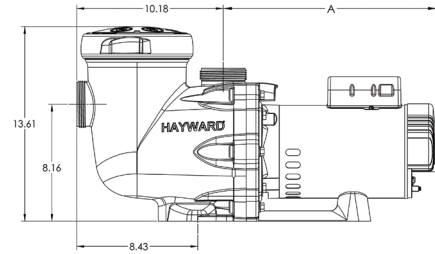
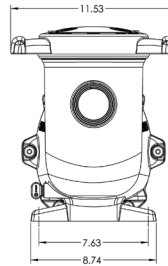
## TECHNICAL INFORMATION, CONTINUED

### PARTS LIST

- |  |                                      |
|--|--------------------------------------|
| 1. True Union Connection and Nut with O-Ring | 13. Shaft Seal Assembly              |
| 2. Union Gasket                              | 14. Housing O-Ring                   |
| 3. Pump Strainer Housing                     | 15. Seal Plate                       |
| 4. Strainer Cover                            | 16. Housing Insert/Seal Plate Spacer |
| 5. Strainer Cover O-Ring                     | 17. Housing Bolt                     |
| 6. Strainer Basket                           | 18. Motor Bolt                       |
| 7. Diffuser Screw                            | 19. Drain Plug with O-Ring           |
| 8. Diffuser O-Ring                           | 20. Bracket, Motor Support           |
| 9. Diffuser                                  |                                      |
| 10. Impeller Screw                           |                                      |
| 11. Impeller Ring                            |                                      |
| 12. Impellers with Impeller Screws           |                                      |

### AVAILABLE SPARE PARTS

- True Union Connections
- Hardware
- Shaft Seal
- Impellers
- Seals
- Strainer Cover and Basket
- Seal Plate
- Base Risers



### DIMENSIONS

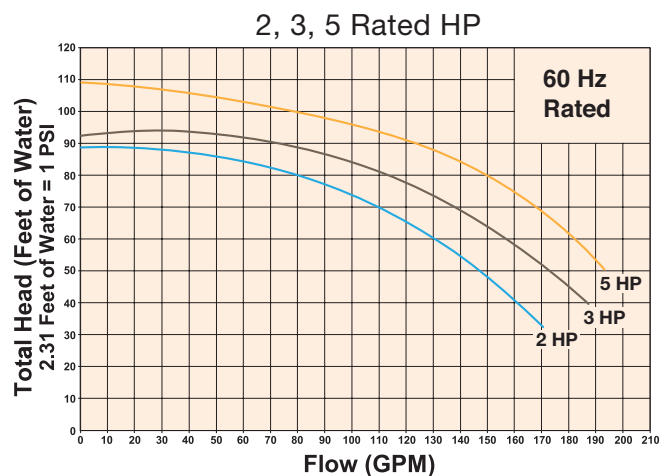
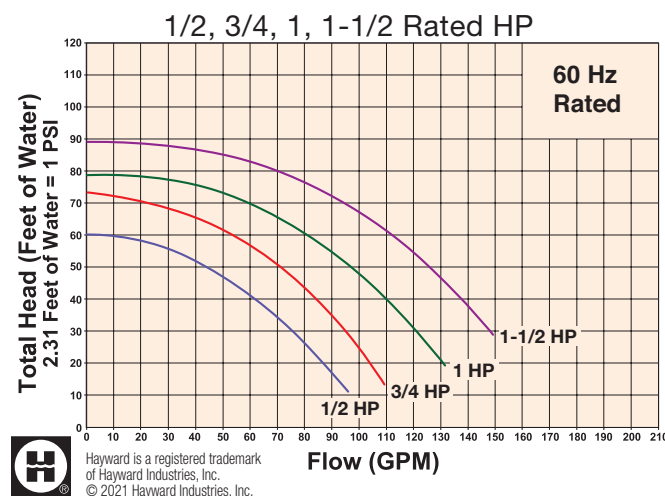
RATED HP	DIM A		
	1 PHASE - ODP in / mm	3 PHASE - ODP in / mm	3 PHASE - TEFC in / mm
1/2	13-5/8 / 346	-	13-13/16 / 351
3/4	13-7/8 / 352	-	14-3/16 / 360
1	14-3/8 / 365	-	14-11/16 / 373
1-1/2	14-7/8 / 378	-	15-5/16 / 389
2	14-7/8 / 378	-	15-5/8 / 397
3	17-1/8 / 435	-	-
5	17-1/8 / 435	17-1/8 / 435	-

### TECHNICAL SPECS AND PERFORMANCE DATA

DESCRIPTION	RATED HP	TRUE UNION SOCKET CONNECTORS	SERVICE FACTOR	VOLTAGE SUPPLY	PHASE	MOTOR FRAME
1/2 HP Aquatic Pump	1/2	2"	1.99	115 / 208-230	1	ODP
				208-230 / 460	3	TEFC
3/4 HP Aquatic Pump	3/4	2"	1.85	115 / 208-230	1	ODP
				208-230 / 460	3	TEFC
1 HP Aquatic Pump	1	2"	1.85	115 / 208-230	1	ODP
				208-230 / 460	3	TEFC
1-1/2 HP Aquatic Pump	1-1/2	2"	1.60	115 / 208-230	1	ODP
				230 / 460	3	TEFC
2 HP Aquatic Pump	2	2"	1.35	208-230	1	ODP
				230 / 460	3	TEFC
3 HP Aquatic Pump	3	2"	1.20	208-230	1	ODP
				230 / 460	3	TEFC
5 HP Aquatic Pump	5	2"	1.00	208-230	1	ODP
				230 / 460	3	ODP

Dimensions are subject to change without notice - consult factory for installation information.

### PUMP PERFORMANCE CURVES



USA: 1.888.429.4635 • Fax: 1.888.778.8410 • One Hayward Industrial Drive • Clemmons, NC 27012 • Email: hfcsales@hayward.com  
 Canada: 1.888.238.7665 • Fax: 1.905.829.3636 • 2880 Plymouth Drive • Oakville, ON L6H 5R4 • Email: hfcanada@hayward.com  
 Visit us at: haywardflowcontrol.com