



Totally enclosed fan-cooled (TEFC) motor in all models.

LifeStar® MV Medium Head Aquatic Pump

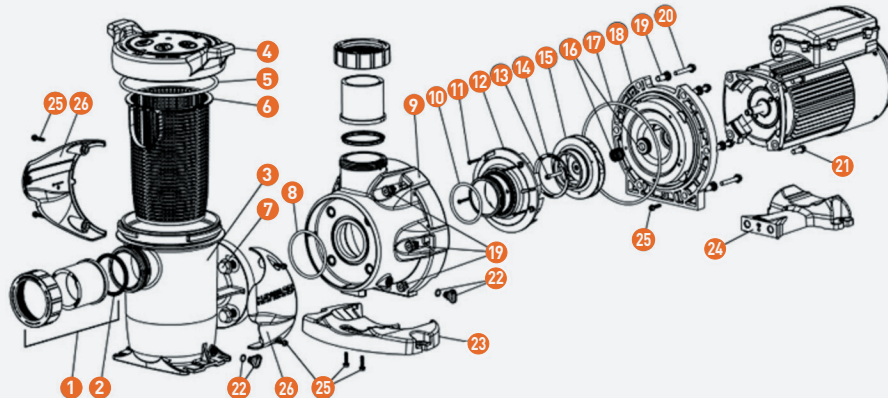
2, 3, 5, 7HP and 3HP VARIABLE SPEED

KEY FEATURES

- Ideal for Sensitive Aquatic Environments, Fresh or Salt Water Systems
- Corrosion Resistant GFPP Housing for Long Term Performance
- True Union 2-1/2" x 3" Socket End Connections
- Modular Strainer Basket Design – Can Be Mounted Remotely
- Fully Programable Multi-Position or Remote Mount VS Interface
- Oversized Strainer Basket with HDPE 1/8th Perf Basket
- 3" ANSI Class 150 Flange Connection from Pump to Basket
- Silicon Carbide/Silicon Carbide Shaft Seal
- All Wetted Hardware Manufactured from 316 Stainless Steel
- FPM Seals Standard
- Available In 1-phase and 3-phase Models
- Industrial Grade TEFC Motors Standard with 220-240, 190/380-415, 190/380-415, 50Hz and 208-230, 208-230/460, 575, 60Hz Voltage
- High Efficiency Enclosed Impeller
- Self-Priming Pump – Up to 10 feet
- For Indoor and Outdoor Use
- UL778 Listing

TECHNICAL INFORMATION

EXPLODED VIEW



SPECIFICATIONS

PUMP HOUSING	Glass Filled Polypropylene	MOTOR BOLTS	316 SS
CONNECTIONS	2-1/2" x 3" True Union CPVC Socket Schedule 80	HOUSING BOLTS	316 SS
MOTOR SHAFT	303 SS (Non-Wetted)	MOTORS	Single and Three Phase - Totally Enclosed Fan Cooled (TEFC)
SHAFT FACE SEAL	Silicon Carbide/Silicon Carbide	HP RATINGS	2, 3, 5, 7 and 3HP Variable Speed
SHAFT SECONDARY SEAL	FPM	STRAINER BASKET	HDPE, 1/8" Perf
ALL WETTED HARDWARE	316 SS (Impeller Insert, Impeller Screw and 2 Diffuser Screws)	VOLTAGES	220-240, 190/380-415, 190/380-415, 50Hz 208-230, 208-230/460, 575, 60Hz
MAIN HOUSING GASKET	FPM		

LifeStar® MV Medium Head Aquatic Pump

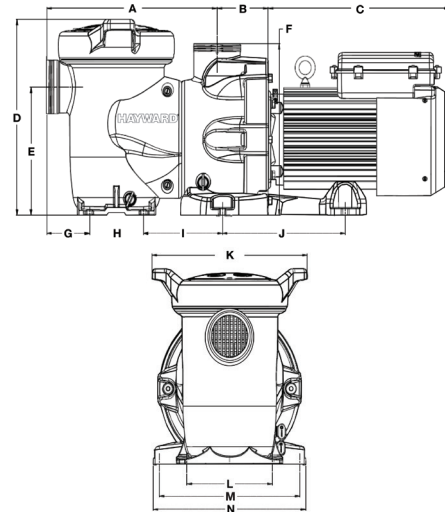
2, 3, 5, AND 7 HP

TECHNICAL INFORMATION, CONTINUED

PARTS LIST

- | | |
|---|--|
| 1. Union Connector Kit (Includes Union Nut, Union Connector, Union Gasket - 2 each) | 14. Impeller Ring, 2-7 HP |
| 2. Union Gasket | 15. Impeller with Impeller Screw, 2-7 HP |
| 3. Strainer Housing with Drain Plug | 16. Shaft Seal Assembly |
| 4. Strainer Cover Kit (Includes Strainer Cover, Lock Ring, O-Ring) | 17. Pump Housing O-Ring |
| 5. Strainer Cover O-Ring | 18. Seal Plate |
| 6. Strainer Basket | 19. Housing Insert/Seal Plate Spacer |
| 7. Strainer Housing Flange Bolt/Washer - 4 each | 20. Housing Bolt |
| 8. Strainer Housing Flange O-Ring | 21. Motor Bolt (4 Pack) |
| 9. Pump Housing with Drain Plug | 22. Drain Plug with O-Ring |
| 10. Diffuser O-Ring | 23. Pump Housing Base |
| 11. Diffuser Screws (4 Pack) | 24. Motor Support Base |
| 12. Diffuser, 2-7 HP | 25. Base Screws (7 Pack) |
| 13. Impeller Screw | 26. Right and Left Side Plate Set |

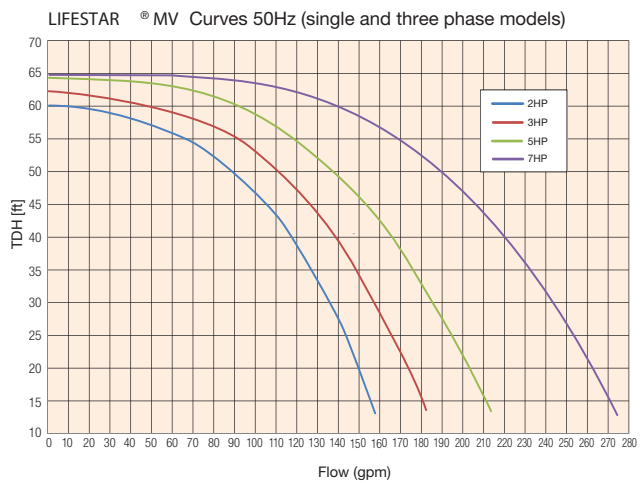
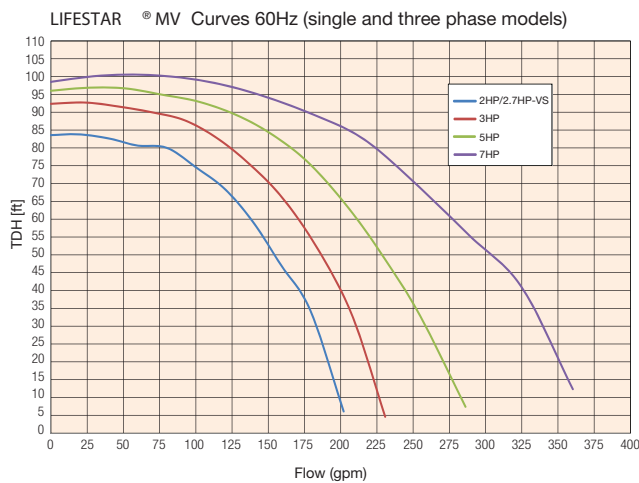
DIAGRAM



DIMENSIONS

A	B	C	D	E	F	G	H	I	J	K	L	M	N
in / mm	in / mm	in / mm	in / mm	in / mm	in / mm	in / mm	in / mm	in / mm	in / mm	in / mm	in / mm	in / mm	in / mm
14.07 / 357	4.23 / 107	14.94 / 379	13.95 / 354	9.13 / 232	12.23 / 311	3.54 / 90	4.44 / 113	6.53 / 166	10.14 / 258	12.76 / 324	7.00 / 178	11.55 / 293	12.50 / 317

PUMP PERFORMANCE CURVES



ADDITIONAL FEATURES



3" ANSI standard flanged connection allows strainer basket to be removed and mounted remotely.



LifeStar® MV-VS with variable speed pump featuring digital control interface that can be rotated on the pump or detached and wall mounted, allowing convenient access and viewing.



Hayward is a registered trademark of Hayward Industries, Inc. © 2021 Hayward Industries, Inc.

USA: 1.888.429.4635 • Fax: 1.888.778.8410 • One Hayward Industrial Drive • Clemmons, NC 27012 • Email: hfcsales@hayward.com
 Canada: 1.888.238.7665 • Fax: 1.905.829.3636 • 2880 Plymouth Drive • Oakville, ON L6H 5R4 • Email: hfcanada@hayward.com
 Visit us at: haywardflowcontrol.com