

## VP526A Three-Way High Pressure Water Valve

### INSTALLATION INSTRUCTIONS

#### BEFORE INSTALLATION

Allow sufficient room for servicing or removing the valve. See Fig. 1 for typical piping and Fig. 2 for space requirements.

#### INSTALLATION

1. Mount the valve body in the copper tubing. See Fig. 3.
2. Connect the control air tubing.

NOTES: No calibration or adjustment is required.

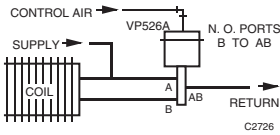
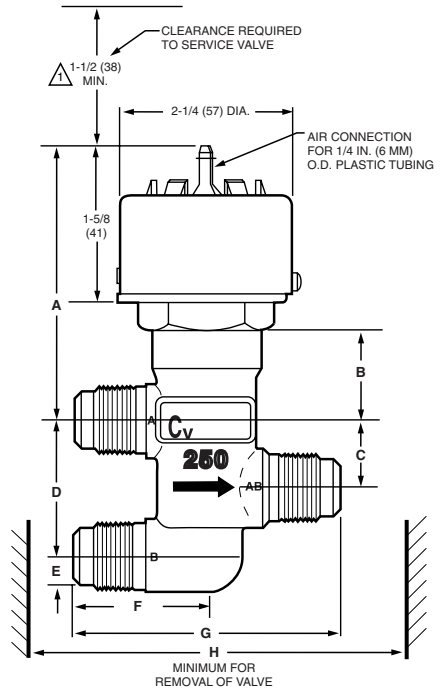


Fig. 1. Typical piping.



VALVE SIZE (NOM.)	COPPER TUBING (O.D.)	IN. (MM)							
		A	B	C	D	E	F	G	H
3/8	1/2	3-1/16 (78)	7/8 (22)	13/16 (20)	1-1/2 (38)	3/8 (10)	1-1/2 (38)	3 (76)	5-3/4 (146)
1/2	5/8	3-3/8 (85)	1-3/16 (30)	7/8 (22)	1-3/4 (44)	7/16 (11)	1-11/16 (43)	3-7/16 (87)	6-1/4 (159)

⚠ ALLOW 1-1/2 IN. (38 MM) MINIMUM CLEARANCE FOR REMOVING ACTUATOR. ALLOW 2-1/2 IN. (63 MM) TO FACILITATE STRAIGHT ON TUBING. IF CLEARANCE IS LESS THAN 2-1/2 IN. (63 MM), USE AN ELBOW.

M18807

Fig. 2. VP526A dimensions in in. (mm).



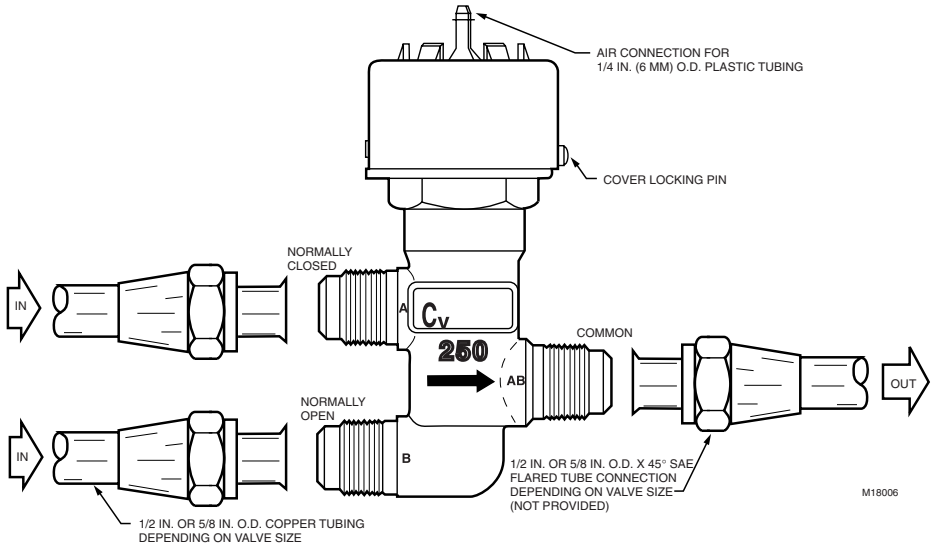


Fig. 3. VP526A installation.

**Honeywell**

**Automation and Control Solutions**

Honeywell  
1985 Douglas Drive North  
Golden Valley, MN 55422

Honeywell Limited-Honeywell Limitée  
35 Dynamic Drive  
Scarborough, Ontario  
M1V 4Z9



## Vanne à eau haute pression à trois voies VP526A

### NOTICE D'INSTALLATION

#### AVANT DE COMMENCER L'INSTALLATION

S'assurer de laisser un espace suffisant pour l'entretien et le démontage de la vanne. La Fig. 1 montre un raccord type et la Fig. 2, l'espace nécessaire.

#### INSTALLATION

1. Monter le corps de vanne dans la canalisation en cuivre. Voir la Fig. 3.
2. Raccorder la canalisation d'air de commande.

REMARQUE : Ne nécessite aucun étalonnage ou réglage.

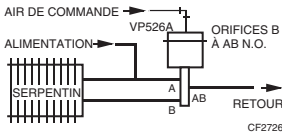
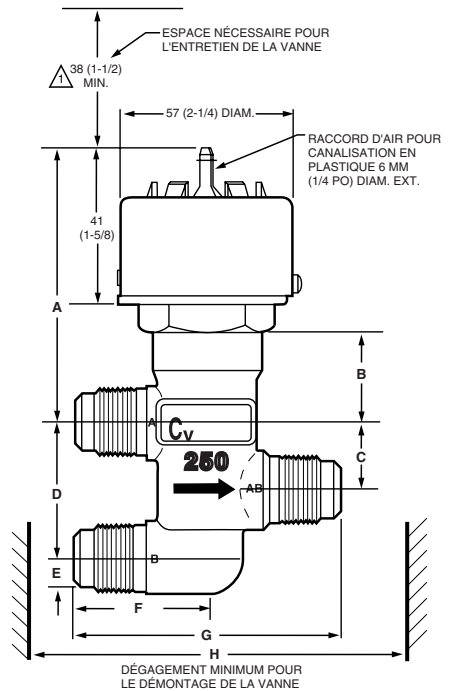


Fig. 1. Raccord type.



DIM. VANNE (NOM.)	CANALISATION CUIVRE (DIAM. EXT.)	MM (PO)							
		A	B	C	D	E	F	G	H
$\frac{3}{8}$	$\frac{1}{2}$	78 (3 $\frac{1}{16}$ )	22 ( $\frac{7}{8}$ )	20 ( $\frac{33}{16}$ )	38 (1 $\frac{1}{2}$ )	10 ( $\frac{3}{8}$ )	38 (1 $\frac{1}{2}$ )	76 (3)	146 (5 $\frac{3}{4}$ )
$\frac{1}{2}$	$\frac{5}{8}$	85 (3 $\frac{3}{8}$ )	30 (1 $\frac{3}{16}$ )	22 ( $\frac{7}{8}$ )	44 (1 $\frac{3}{4}$ )	11 ( $\frac{7}{16}$ )	43 (1 $\frac{11}{16}$ )	87 (3 $\frac{7}{16}$ )	159 (6 $\frac{1}{4}$ )

⚠ LAISSER UN DÉGAGEMENT MINIMAL DE 38 MM (1-1/2 PO) POUR LE DÉMONTAGE DE L'ACTIONNEUR. LAISSER UN DÉGAGEMENT DE 63 MM (2-1/2 PO) POUR L'INSTALLATION D'UNE CANALISATION DROITE. SI LE DÉGAGEMENT EST INFÉRIEUR 63 MM (2-1/2 PO), UTILISER UN COUDE. MF18807

Fig. 2. Encombrement du VP526A en mm (po).



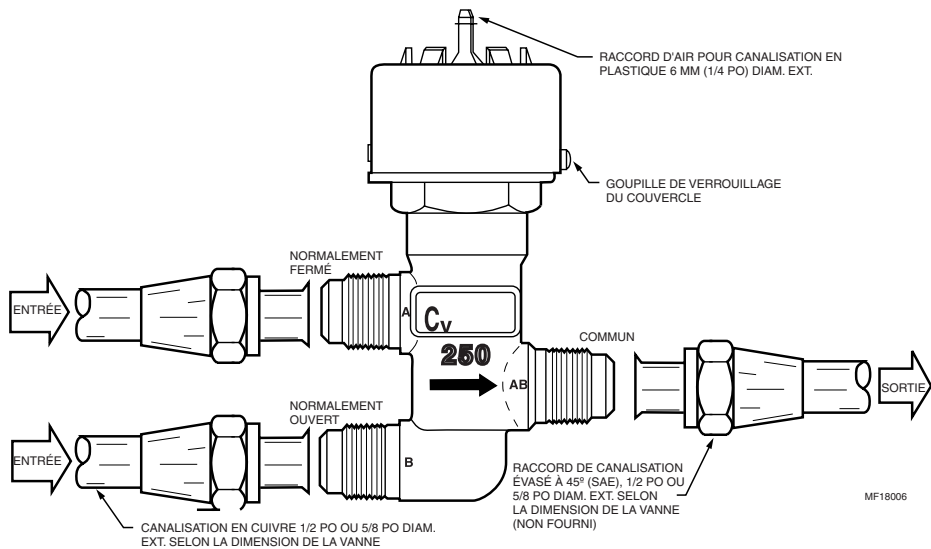


Fig. 3. Installation de la vanne VP526A.

By using this Honeywell literature, you agree that Honeywell will have no liability for any damages arising out of your use or modification to, the literature. You will defend and indemnify Honeywell, its affiliates and subsidiaries, from and against any liability, cost, or damages, including attorneys' fees, arising out of, or resulting from, any modification to the literature by you.

**Honeywell**

**Solutions de régulation et d'automatisation**

Honeywell  
1985 Douglas Drive North  
Golden Valley, MN 55422

Honeywell Limited-Honeywell Limitée  
35, Dynamic Drive  
Scarborough (Ontario)  
M1V 4Z9

