

Honeywell



3 Nm Series Spring Return Direct Coupled Actuators

MS7103, MS7503, MS3103



INSTALLATION INSTRUCTIONS

MS7103, MS7503, MS3103 Spring Return Direct Coupled Actuators (DCA) are used within heating, ventilating, and air-conditioning (HVAC) systems. They can drive a variety of quarter-turn, final control elements requiring spring return fail-safe operation.

Applications include:

- Volume control dampers, mounted directly to the drive shaft or remotely (with the use of accessory hardware).
- Quarter-turn rotary valves, such as ball valves mounted directly to the drive shaft.
- Available with cable on all models
- Fast test mode

SPECIFICATIONS

Models:

- See Table 1.

Device Weight:

- 1.7lbs (0.78 kg)

Ambient Operating Temperature:

- 40° to 150°F (-40° to 65°C)

Shipping and Storage Temperature:

- 40° to +150°F (-40° to +65°C)

Table 1. Models.

Model Number	Control Input / Output Description	SPST Aux Switches	1/2" 360° Conduit	Shaft Adapter	Torque	Supply Voltage	Driving/Holding (VA)	Drive (sec)
MS7103A1021	Modulating ¹	No	Yes	SCSA	27 lb-in (3 N)	24 VAC +/-20% @ 50/60 Hz Class 2 Transformer, 24 VDC +20%/-10%	4/2	90
MS7103A2021	Modulating ¹ , Feedback	Yes					4/2	90
MS7103A2221							4/2	90
MS7503A2021	Modulating ² , Floating, 2 Pos, Feedback	No					4/2	90
MS7503A2221		Yes					4/2	90
MS7503A2023		No					4/2	90
MS7503A2223		Yes	4/2	90				
MS7103A2024	Modulating ¹ , Feedback	No	No	U-Bolt			4/2	90
MS7103A2224		Yes					4/2	90
MS3103J1023	Sylk BUS	No	Yes	SCSA			4.5/2	30-180
MS3103J1024		No	No				4.5/2	30-180
MS3103J1221		Yes	Yes	Yes			4.5/2	30-180
MS3103J1222				No	4.5/2	30-180		
MS3103J1223				Yes	4.5/2	30-180		
MS3103J1224				No	4.5/2	30-180		
MS3103J1021		No	No	Yes	4.5/2	30-180		
MS3103J1022				No	4.5/2	30-180		

¹ 2-10 VDC

² 0(2)-10 VDC, 10-0(2) VDC



31-00141M-06

Humidity Ratings:

- ☐ 5% to 95% R.H., Non-Condensing

Auxiliary Switches (Two SPST):

- ☐ Fixed switches on 10 and 80 degrees
- ☐ 125 VAC, 1A, res. load

Mounting: Self-Centering Shaft Adapter (shaft coupling):

- ☐ Round damper shafts: 3/8 to 5/8 in. (9 to 16 mm)
- ☐ Square damper shafts: 1/4 to 1/2 in. (6 to 13 mm)
- ☐ Nominal tightening torque for self-centering shaft adapter screw is 106 lb-in (12Nm).

Mounting: Non Self-Centering Shaft Adapter:

- ☐ Round damper shafts: 1/4 to 3/4 in. (6 to 19 mm)
- ☐ Square damper shafts: 1/4 to 1/2 in. (6 to 13 mm)
- ☐ Nominal tightening torque for non self-centering shaft adapter screws is 62 lb-in (7 Nm)

Minimum Damper Shaft Length:

- ☐ 3.25 in. (83 mm) recommended for self-centering shaft adapter
- ☐ 3 in. (75 mm) recommended for non self-centering shaft adapter

Spring Return Timing (at rated load):

- ☐ < 25 seconds @ -22°F to 150°F (-30°C to 65°C)
- ☐ < 60 seconds @ -40°F to -22°F (-40°C to -30°C)

Cable Specification:

- ☐ Power Cable: Plenum Rated, 3 ft (0.914 m) length from end of access cover, 18 AWG
- ☐ Switch Cable: Appliance Rated, 3 ft (0.914 m) length from end of access cover, 18 AWG

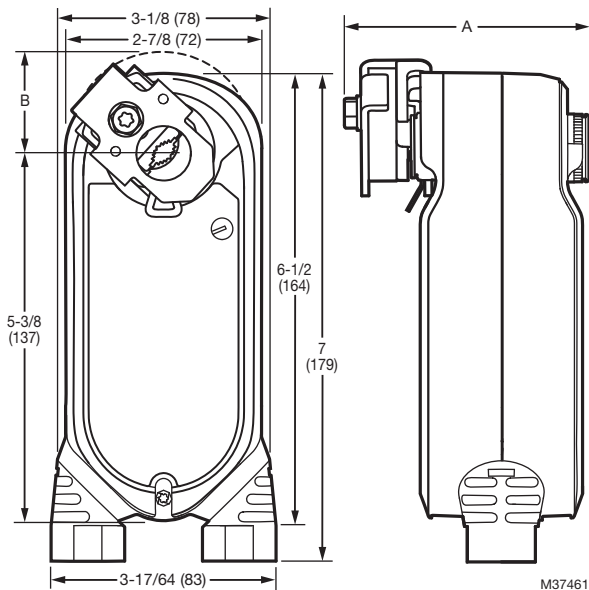


Fig. 1. Dimensional drawing of actuator in in. (mm). See Table 2 for A and B dimensions.

Table 2. Shaft Adapters.

Type of Shaft Adapter	A	B
Self-Centering Adapter	3.54 in. (90 mm)	1.54 in. (39 mm)
Non Self-Centering Adapter	3.11 in. (79 mm)	1.57 in. ¹ (40 mm)

¹ For 1/2" shaft.

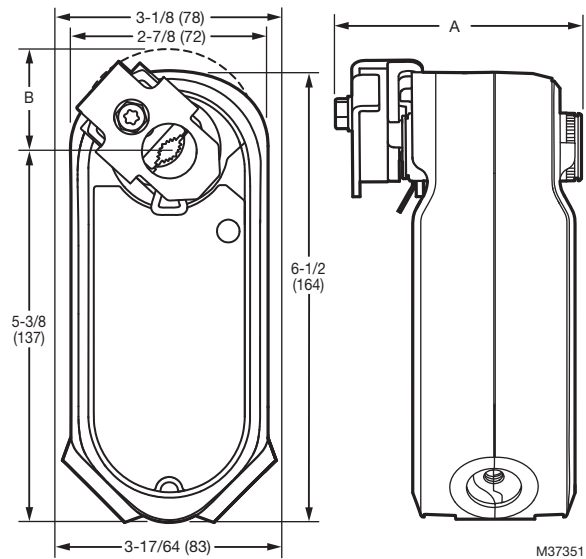


Fig. 2. Dimensional drawing of actuator without conduit in in. (mm). See Table 2 for A and B dimensions.

Stroke:

- ☐ 95° ±3°, mechanically limited.

Approvals:

- ☐ UL60730
- ☐ IEC 60730-1 and Part 2-14
- ☐ UL1097 for Double Insulation
- ☐ CE Certification Low Voltage Directive 2014/35/EU
- ☐ CE EMC 2004/108/EC
- ☐ Switch cables are UL certified only

Waste Electrical and Electronic Equipment (WEEE):



Correct disposal of this product (applicable in the European Union and other European countries with separate collection systems). This product should be disposed of, at the end of its useful life, as per applicable local laws, regulations, and procedures.

Enclosure Ratings:

- ☐ IP54, depends on position according to "Determine Appropriate Mounting Orientation" on page 3.
- ☐ NEMA 2
- ☐ Flame Resistance UL94-5VA
- ☐ UL2043, switch wiring dependent on conduit installation

Input Impedance:

- ☐ 95 kOhm minimum for analog modulating input.

Feedback Signal:

- ☐ 2-10 VDC, 1 mA source, 0.5 mA sink

Noise Rating at 1m Driving (Maximum at 90s drive speed):

- Floating/Modulating/Sylk < 40 dB(A)
- Spring Return: < 65 dB(A)

Accessories and Ordering Information:

- Crank Arm Kit, OS-No. DIAM-CRK-01
- Self Centering Shaft Adapter
- Anti-Rotation Bracket

TYPICAL SPECIFICATION

Spring return actuators shall be direct coupled type requiring neither crankarm nor linkage and be capable of direct mounting to a jackshaft of up to 3/4 in. diameter. The actuator shall connect to the shaft using a removable output hub with a self-centering shaft coupling. This coupling shall provide concentric mounting and include an integral adjustable range-stop mechanism.

The actuator shall provide floating and proportional control. Proportional control refers to direct acceptance of 0-10 VDC, 2-10 VDC, or (with addition of a 500 ohm resistor) a 4-20 mA input signal. Some proportional and floating control models shall provide a feedback signal. Floating actuators shall have a rotation direction control switch accessible on the cover.

All spring return actuators must be designed for either clockwise or counterclockwise fail-safe operation with a continuously engaged mechanical spring. This spring must return the valve or actuator to a fail-safe position within 25 seconds of power loss.

All actuators shall be designed for a minimum of 60,000 fullstroke cycles at rated torque and temperature, 60,000 spring return cycles and 1,500,000 repositions. Run time shall be constant and independent of: load, temperature, and supply voltage (within specifications). All actuators shall be UL60730 and cUL (CSA22.2) listed, have a five year warranty, and be manufactured under ISO 9001 International Quality Control Standards. Actuators shall be as manufactured by Honeywell.

Sylk™ Bus:

Sylk is a two-wire, polarity insensitive bus that provides communications between a Sylk-enabled actuator and a Sylk-enabled controller. For wiring, the Sylk-enabled actuator may be mounted up to 200 ft. (61m) from the controller; twisted pair wire is recommended for wire runs longer than 100 ft. (30.5m). Using Sylk-enabled actuators saves I/O on the controller and is faster and cheaper to install since the bus is polarity insensitive.

INSTALLATION**When Installing this Product...**

1. Read these instructions carefully. Failure to follow them could damage the product or cause a hazardous condition.
2. Check the ratings given in the instructions and on the product to make sure the product is suitable for your application.
3. Installer must be a trained, experienced service technician.
4. After installation is complete, check out product operation as provided in these instructions.

**CAUTION**

Electrical Shock or Equipment Damage Hazard.
Low voltage can shock individuals or short equipment circuitry.

Disconnect power supply before installation.

IMPORTANT

All wiring must comply with applicable codes, ordinances and regulations.

Location

These actuators are designed to mount directly to a damper external drive shaft. The shaft coupling fastens to the drive shaft. The actuator housing includes slots which, along with an anti-rotation bracket, secure the actuator to the damper frame or duct work (see Fig. 10).

NOTES:

- When mounted correctly, these slots allow the actuator to *float* without rotating relative to the damper shaft.
- Using other brackets or linkages, the actuator can be foot-mounted or tandem-mounted.

**CAUTION**

Motor Damage Hazard.
Corrosive vapors and acid fumes can damage metal and plastic parts.

Install motor in areas free of acid fumes and other deteriorating vapors.

**CAUTION**

Equipment Damage Hazard.
Tightly securing actuator to damper housing can damage actuator.



Mount actuator to allow it to float along its vertical axis.

Preparation

Before mounting the actuator onto the damper shaft, determine the:

- Damper/valve opening direction for correct spring return rotation. The actuator can be mounted to provide clockwise or counterclockwise spring return by flipping or turning the unit over.
- Damper shaft size (see the Specifications section).

Determine Appropriate Mounting Orientation

The actuators are designed to open a damper by driving the damper shaft in either a clockwise  or counterclockwise  direction (see Fig. 3).

NOTES:

- Actuators are shipped in the fully closed (spring return) position.
- The groove on the adapter points to a location on the label to indicate the hub rotary position.

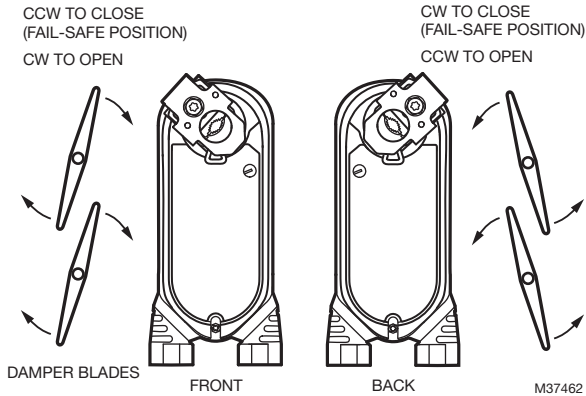


Fig. 3. Spring Return DCA mounting orientation.

Measure Damper/Valve Shaft Length

If the shaft is less than 3.25 in. long for SCSA, the shaft coupling must be located between the damper/valve and actuator housing. If the shaft length is more than three inches, the shaft coupling may be located on either side of the actuator housing.

If the coupling must be moved from one side of the actuator to the other, reverse the spring return direction and flip the actuator. Follow these instructions (see Fig. 4):

1. Remove the retainer clip from the shaft coupling and set it aside for later use.
2. Remove shaft coupling from one side of the actuator.
3. Replace the shaft coupling on the opposite side of the actuator aligning it based on the stroke labeling.
4. Replace the retainer clip on the shaft coupling using the groove of the coupling.

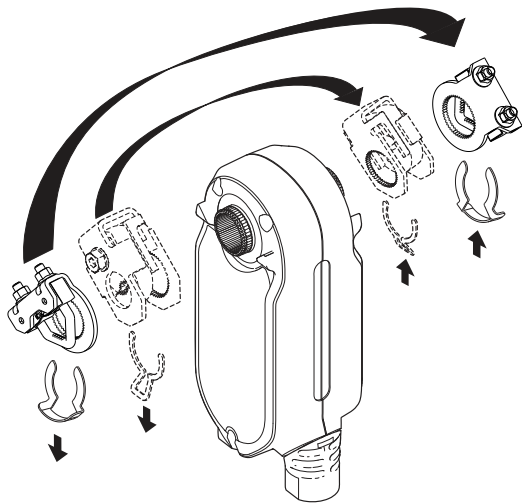


Fig. 4. Mounting shaft coupling to actuator opposite side.

Selecting Actuator Control Signal (For MS7503 models only)

Selections are made using a dial that appears on both the front and back of the actuator (see Fig. 5).

To select the control signal simply turn the mode selection dial to the desired mode (as indicated on the device label) without exceeding range indicators.

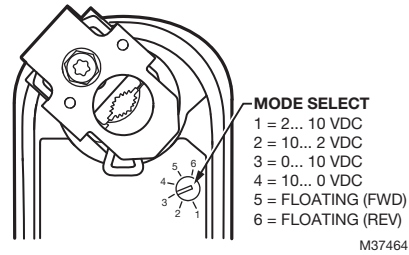


Fig. 5. Dials for control signal.

For MS31XX models only

These actuators are available with Sylk address selection pot.

NOTE: There are 5 effective Sylk addresses that you can choose from. For example, to select Sylk address 11 move the range pot to 1.

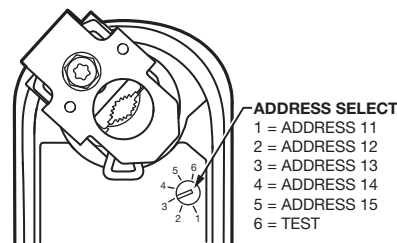


Fig. 6. Address selection dial.

Non-Standard Stroke

Mechanical Stroke Limit Reduction

For applications requiring a span less than 95 degrees, a simple adjustment can be made. When the rotational mounting of the shaft coupling is changed, the actuator drives less than the full 95 degree stroke.

The stroke is adjustable in 7.5 degree increments. Once adjusted, the actuator drives until the shaft coupling reaches the mechanical stop (part of the housing). The stop causes the motor to discontinue driving and the shaft coupling drives no farther. When the actuator returns, it stops at the fail-safe position. Mechanical limitation of minimum position is prohibited. Use electronic or SW limitation if needed.

To limit the stroke range, proceed as follows:

1. Remove the retainer clip from the shaft coupling and set it aside for later use.
2. Remove shaft coupling from the actuator.
3. Rotate the coupling to the desired position, aligning it based on the stroke labeling. See Fig. 7.

NOTE: The shaft coupling location determines the travel span.

EXAMPLE: Setting shaft coupling to an approximate fail-safe position of 30 degrees (as indicated on the housing) limits stroke to 60 degrees. (See Fig. 7)

4. Install the shaft coupling at this position.
5. Replace the retainer clip on the shaft coupling using the groove of the coupling.

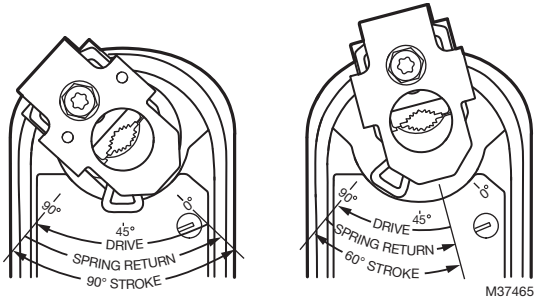


Fig. 7. Stroke reduction.

Mounting



CAUTION

Device Malfunction Hazard.
Improper shaft coupling tightening causes device malfunction.

Tighten shaft coupling with proper torque to prevent damper shaft slippage.



CAUTION

Actuator Damage Hazard.
Using actuator as shaft bearing causes device damage.

Use actuator only to supply rotational torque. Avoid any side loads to actuator output coupling bearings.



CAUTION

Equipment Damage Hazard.
Can damage the motor beyond repair.

Never turn the motor shaft by hand or with a wrench. Forcibly turning the motor shaft can damage the gear train.

To mount the actuator to an external drive shaft of a damper, proceed as follows:

1. Place actuator over damper shaft; and hold mounting bracket in place. See Fig. 10.
2. Mark screw holes on damper housing.

3. Remove actuator and mounting bracket.
4. Drill or center-punch holes for mounting screws (or use no.10 self-tapping sheet metal screws).
5. Turn damper blades to desired normal (closed) position.
6. Place actuator and mounting bracket back into position and secure bracket to damper box with sheet metal screws.
7. Using 10 mm wrench, tighten shaft coupling securely onto damper shaft using maximum 106 lb-in. (12 Nm) torque.

NOTE: See Fig. 8 for proper mounting to a square damper shaft.

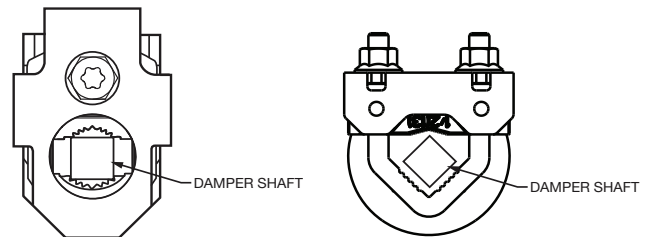


Fig. 8. Proper mounting to square damper shaft.

To achieve ingress protection rating IP54, the actuator needs to be mounted according to Fig. 9. IP54 applies for all mounting positions except with cable-up position (crossed out) Fig. 9.

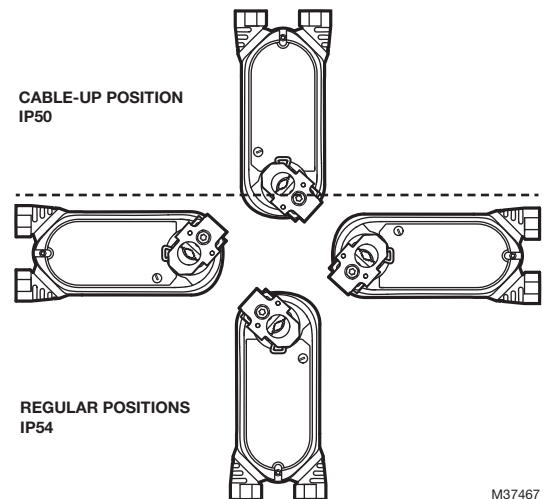


Fig. 9. Mounting actuator for IP compliance.

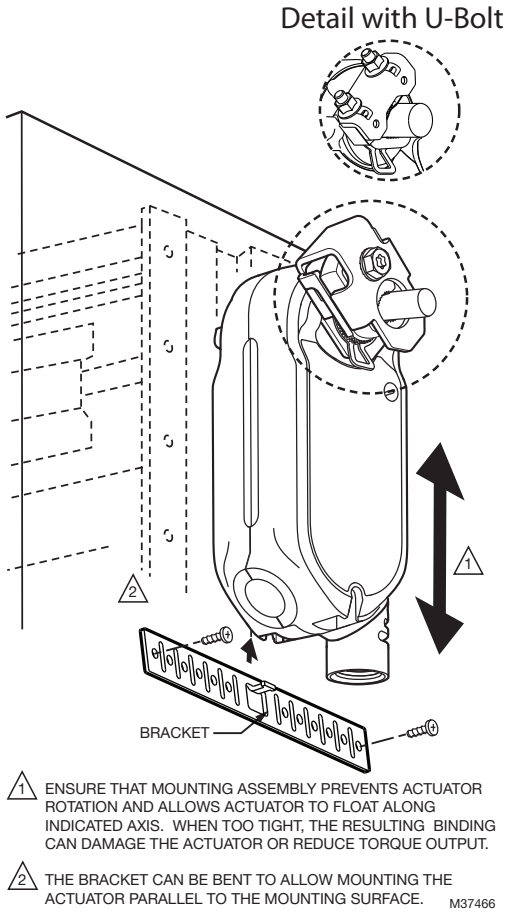


Fig. 10. Mounting actuator to damper housing.

WIRING

CAUTION
Electrical Shock or Equipment Damage Hazard.
Disconnect all power supplies before installation.
 Motors with auxiliary switches can have more than one disconnect.

IMPORTANT
 All wiring must comply with local electrical codes, ordinances and regulations.

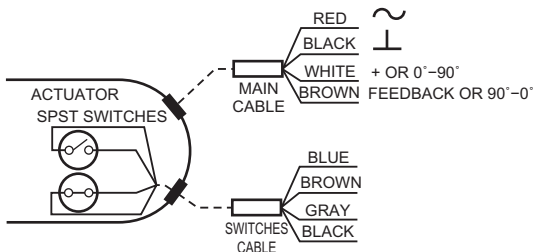


Fig. 11. Cable installation details.

Switch operation

Gray/Black = Normally Open. Closed in range 80 degrees to Fully Open.

Blue/Brown = Normally Closed. Open in range 10 degrees to Fully Open.

Table 3. Wiring Details.

Wire	Floating	Modulating	Sylk
RED	~	power	power
BLACK	⊥	common	common
WHITE ²	0° - 90°	control signal	S-bus
BROWN	→	feedback ¹	S-bus

¹ Not available on all modulating models, see Table 1.

² Brown for MS3103.

Floating and Modulating Models

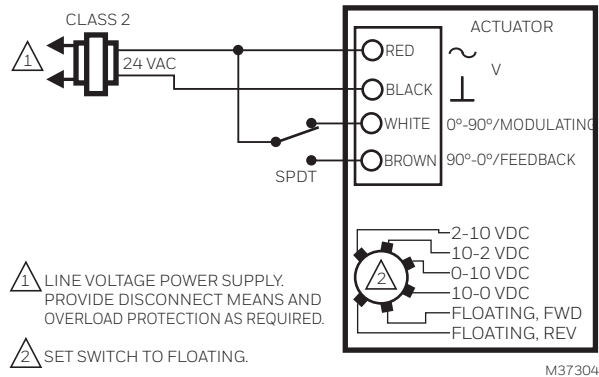


Fig. 12. Wiring for SPDT on/off control, MS75.

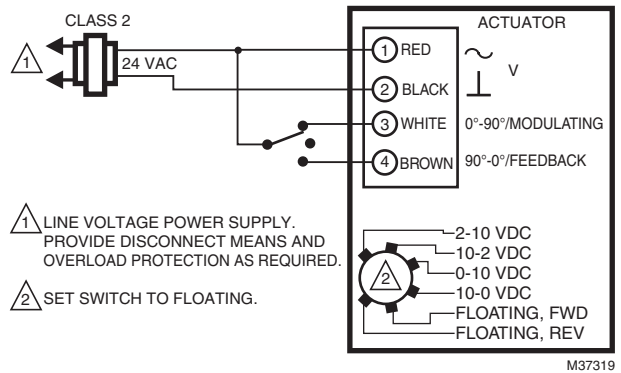


Fig. 13. Wiring for floating control, MS75.

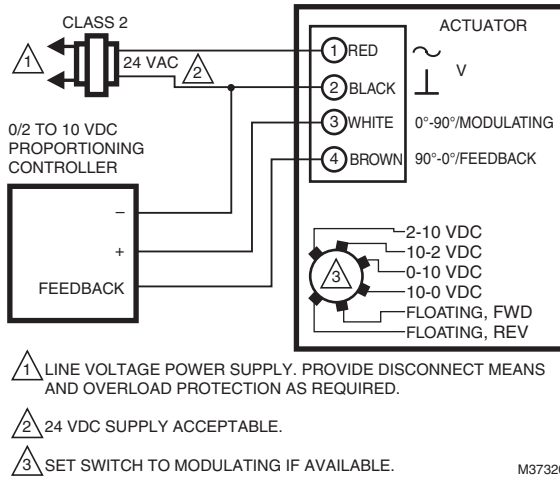


Fig. 14. Wiring for modulating (0/2-10 VDC) proportioning control, MS75 (shown) and MS71.

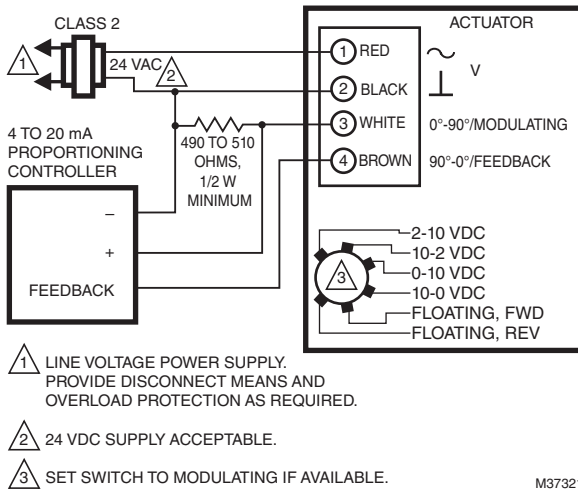


Fig. 15. Wiring for 4-20 mA proportioning controllers, MS75 (shown) and MS71.

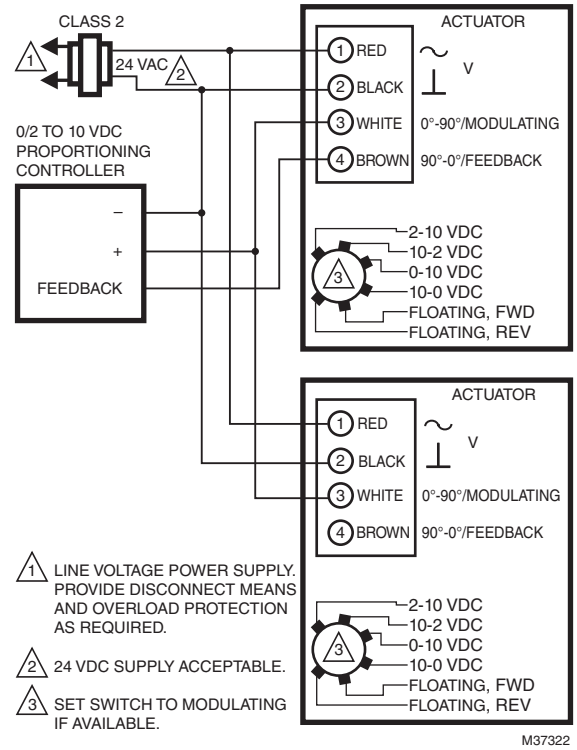


Fig. 16. Wiring for modulating (0/2-10 VDC) proportioning control operating multiple actuators, MS75 (shown) and MS71.

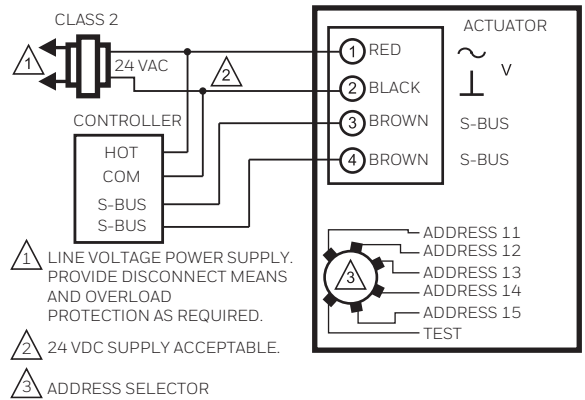


Fig. 17. Wiring for SYLK BUS control, MS3103.

3 NM SERIES SPRING RETURN DIRECT COUPLED ACTUATORS

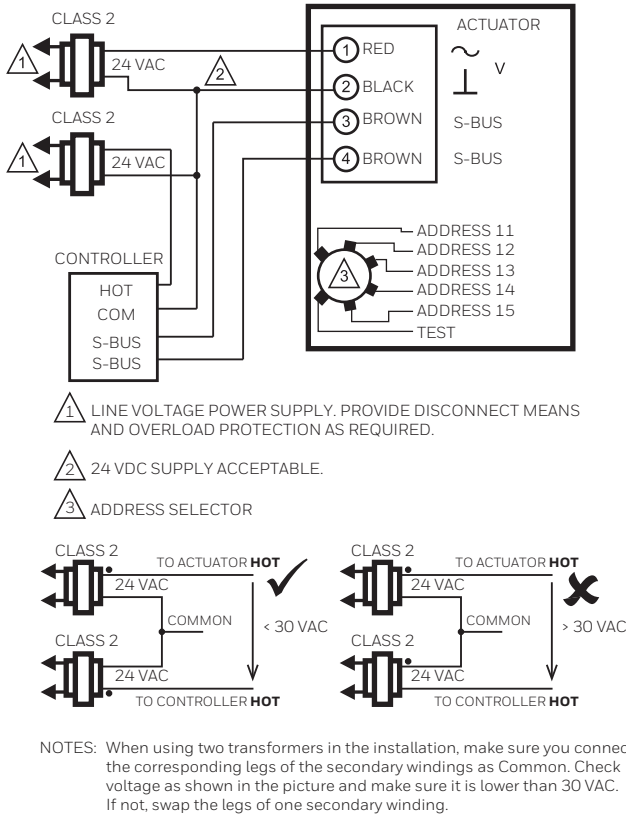


Fig. 18. Wiring for SYLK BUS control with separate transformers, MS3103.

OPERATION

The actuator is designed to be used in ventilating and air conditioning installations to operate valves, dampers, ventilation flaps and louvers. (For ratings, see the Specifications section.) If the power fails, the actuator will spring return to the fail safe position.

When using a proportional controller and actuator is set to (O)2 - 10 position, the actuator drives toward its fully open position when the input signal increases; the actuator drives toward the fully closed position when the input

signal decreases. The actuator stops when the input signal reaches the desired proportional control point. This operates in reverse when set to a 10-2(O) position.

IMPORTANT

The actuator is designed to respond to DDC Controller instantaneous contact closures. Take care not to short cycle the actuator. Unstable damper control can cause premature actuator failure.

Fast commissioning mode (modulating control mode and SYLK communication only)

When 24 VAC or 24 VDC signal is applied to the modulating input or on the SYLK communicating actuator the position 6 (TEST) is selected, the actuator will drive to the fully open position with higher speed corresponding to 30 sec timing. When the signal is disconnected, the actuator will drive to the fully closed position with normal operation timing.



CAUTION

Do not use fast test mode for permanent operation.

Lifetime will be reduced if this mode is used permanently. This mode is intended to be used only for initial commissioning/testing of the system after installation. Power consumption is not specified in this mode.

Auxiliary Switches

Some models include Auxiliary switches. For wiring details see Fig. 11.

Actuator Override

To override the control signal (for freeze protection or similar applications):

1. Override to full open (fast commissioning, drive mode lower than 30 sec):
 - a. Disconnect the input signal (from terminal 3).
 - b. Apply 24 VAC to terminal 3.
 - c. See Fig. 19.

2. Return to full closed:
 - a. Disconnect the input signal (from terminal 3).
 - b. See Fig. 20.

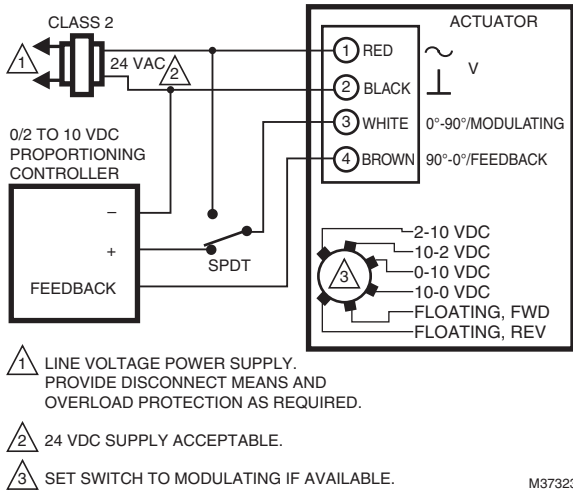


Fig. 19. Override to open position.

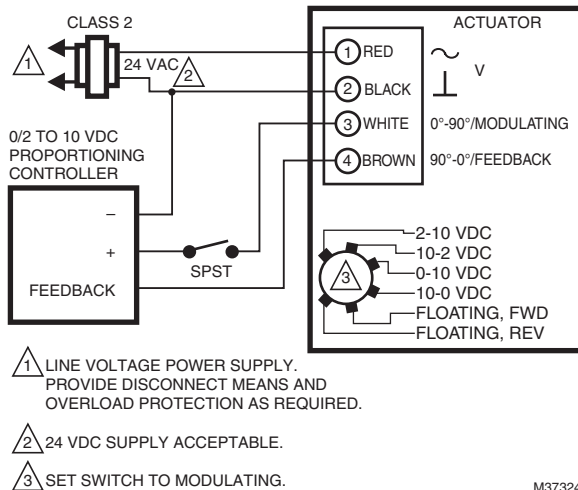


Fig. 20. Return to closed position.

CHECKOUT

Modulating/Floating Operation

1. Mount actuator for required application (either clockwise ↻ or counterclockwise ↻ rotation to open the damper).
2. Connect power to power and common wire. (See Fig. 11 and Table 3.)
3. Set "Mode Select" dial to desired control signal. (See Fig. 5.)

4. Apply control signal for actuator full open or full closed position. (See Fig. 11 and Table 3.)
 - a. (0)2-10 VDC: apply 10 VDC signal to control wire (WHITE).
 - b. 10-(0)2 VDC: apply (0)2 VDC signal to control wire (WHITE).
 - c. (0)4-20 mA: apply 20 mA signal to control wire (WHITE).
 - d. 20-(0)4mA: apply (0)4 mA signal to control wire (WHITE).
 - e. Floating: apply 24 VAC to appropriate 0°-90° (WHITE) or 90°-0° (BROWN) wire.
5. Actuator drives to full open or full closed position.
6. Apply control signal for actuator 0% position. (See Fig. 11 and Table 3.)
 - a. (0)2-10 VDC: apply (0)2 VDC signal to control wire (WHITE).
 - b. 10-(0)2 VDC: apply 10 VDC signal to control wire (WHITE).
 - c. (0)4-20 mA: apply (0)4 mA signal to control wire (WHITE).
 - d. 20-(0)4mA: apply 20 mA signal to control wire (WHITE).
 - e. Floating: apply 24 VAC to appropriate 0°-90° (WHITE) or 90°-0° (BROWN) wire.
7. Actuator drives to full open or full closed position.

Spring Return Operation

1. Mount actuator for required application (either clockwise ↻ or counterclockwise ↻ rotation to open the damper or valve).
2. Connect power to power and common wire. (See Fig. 11 and Table 3.)
3. Set "Mode Select" dial to desired control signal. (See Fig. 5.)
4. Apply control signal for actuator 50% position.
 - a. VDC Input Signal: apply 5-6 VDC signal to control wire (WHITE). See Fig. 14.
 - b. mA Input Signal: apply 10-12 mA signal to control wire (WHITE). See Fig. 14.
 - c. Floating: apply 24 VAC to appropriate 0°-90° (3) or 90°-0° (4) wire until device reaches 50%.
5. Allow the actuator to drive to 50% position.
6. Disconnect power wire (RED).
7. Actuator spring returns to 0% position.
8. Re-connect power wire (RED), actuator drives back toward 50% position.

Feedback Operation

1. Connect a multi-meter, set for VDC, to common (BLACK) and feedback (BROWN) wire.
2. Apply the same signal as in step 4 of Modulating Operation.
3. The multi-meter reading increases to match the input signal as actuator drives towards full open or full closed position.
4. Apply the same signal as in step 6 of Modulating Operation.
5. The multi-meter reading decreases to match the input signal as actuator drives towards 0% position.

Direct Checkout

1. Mount actuator for required application (either clockwise ↻ or counterclockwise ↻ rotation to open the damper or valve).
2. Check damper position and make sure that 24 VDC/VAC is present at the appropriate connections. (See Fig. 11.)
3. Apply control signal to the appropriate connections to move the damper to the opposite position. The actuator should drive the damper or valve.
4. If actuator does not run, verify that the actuator is properly installed for either clockwise ↻ or counterclockwise ↻ rotation.
5. If actuator is correctly installed and still does not run, replace the actuator.

Sylk-enabled (S-BUS) Checkout

1. Mount actuator for required application (either clockwise ↻ or counterclockwise ↻ rotation to open the damper).
2. Connect Sylk-enabled (S-BUS) controller to terminals 3 and 4.
3. Connect power to terminals 1 and 2.
4. Select the proper address on dial to correspond with the address you wish to use (as seen in the table next to the dial).
5. Apply S-BUS command via the connected Sylk-enabled controller for actuator position.
6. Local test mode (fast commissioning mode) may be selected by selecting position 6 in the address selector dial. Remember to reset the dial to the appropriate settings for your address of choice after the test has been completed.

NFC description

- Device complies with ISO/IEC 14443A.
- NFC can be utilized for communication between the actuator and NFC equipped device.
- The NFC access area location is shown in Fig. 21.
- If the NFC access point is facing the damper, limited access from the edge on the side of the power wires may be possible depending on installation and NFC device capabilities.

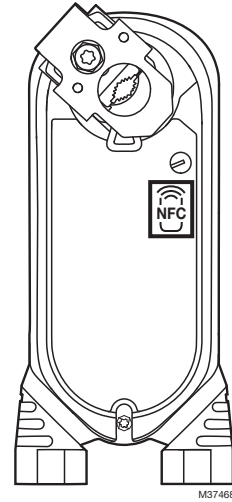


Fig. 21. NFC access area location.

Security instructions

Physical security control, such as a locked cabinet, equipment room or any other placement of the device that restricts physical access to it, is recommended to prevent device tampering and unauthorized manipulation of the parameters accessible via NFC connection and SYLK connection. Connection to the device via NFC is secured using a PIN. Each device is preset with a factory default PIN. The factory default PIN is 2586 and is the same for all devices of this product family. It is recommended that the default PIN is changed to a user unique PIN. The user unique PIN can be canceled using the factory default PIN at any time.

CHINA HAZARDOUS SUBSTANCE TABLE

部件名称	有害物质 Hazardous Substances					
	铅 (Pb)	汞 (Hg)	镉 (Cd)	六价铬 (Cr6+)	多溴联苯 (PBB)	多溴二苯醚 (PBDE)
印刷线路板 PCB	X	O	O	O	O	O
齿轮 Gears	X	O	O	O	O	O
接线端子 Terminal block	X	O	O	O	O	O
电机 Electric motor	X	O	O	O	O	O
弹簧 Spring	X	O	O	O	O	O
本表格依据 SJ/T 11364 的规定编制。						
O: 表示该有害物质在该部件所有均质材料中的含量均在 GB/T 26572 规定的限量要求以下。						
X: 表示该有害物质至少在该部件的某一均质材料中的含量超出 GB/T 26572 规定的限量要求。						

" 未列入表内的其他部件，皆不含任何超出限量要求的限制使用物质。

All other components not listed in the table do not contain restricted substances above the threshold level.

By using this Honeywell literature, you agree that Honeywell will have no liability for any damages arising out of your use or modification to, the literature. You will defend and indemnify Honeywell, its affiliates and subsidiaries, from and against any liability, cost, or damages, including attorneys' fees, arising out of, or resulting from, any modification to the literature by you.

Honeywell Building Technologies

In the U.S.:

715 Peachtree Street NE

Atlanta, GA 30308

customer.honeywell.com

® U.S. Registered Trademark
© 2020 Honeywell International Inc.
31-00141M-06 M.S. Rev. 03-20
Printed in United States

Honeywell



Moteurs de registre à ressort de rappel de série 3 Nm MS7103, MS7503, MS3103



INSTRUCTIONS D'INSTALLATION

Les moteurs de registre à ressort de rappel MS7103, MS7503, MS3103 sont utilisés dans des systèmes de chauffage, ventilation et climatisation (HVAC). Ils peuvent commander une grande variété de vannes quart de tour et d'éléments de contrôle final qui requièrent une sécurité intégrée par ressort de rappel.

Usages :

- Volets à régulation de débit montés directement sur l'arbre d'entraînement ou à distance (avec la quincaillerie d'accessoires).
- Vannes quart de tour, comme les clapets à bille, montées directement sur l'arbre d'entraînement.
- Disponible avec câble sur tous les modèles.
- Mode d'essai rapide.

SPÉCIFICATIONS

Modèles :

- Voir le Tableau 1.

Poids de l'appareil :

- 0,78 kg (1,7 lb)

Température ambiante en fonctionnement :

- 40 à 65 °C (-40 à 150 °F)

Température d'entreposage et de transport :

- 40 à 65 °C (-40 à 150 °F)

Tableau 1. Modèles.

Numéro de modèle	Description du mode de commande d'entrée/sortie	Interrupteurs auxiliaires SPST	Conduit 1/2 po 360°	Adaptateur d'arbre	Couple	Tension d'alimentation	Actionnement / maintien (VA)	Actionnement (s)
MS7103A1021	Modulation ¹	Non	Oui	SCSA	3 N.m (27 lb-pi)	Transformateur 24 V c.a. ±20% classe 2 à 50/60 Hz, 24 V c.c. +20%/-10 %	4/2	90
MS7103A2021	Modulation ¹ , rétroaction						Oui	4/2
MS7103A2221		4/2						90
MS7503A2021	Modulant ² , Flottant, 2 pos, Retour	Non					4/2	90
MS7503A2221		Oui					4/2	90
MS7503A2023		Non					4/2	90
MS7503A2223	Oui	4/2	90					
MS7103A2024	Modulation ¹ , rétroaction	Non	Non	Étrier			4/2	90
MS7103A2224		Oui					4/2	90
MS3103J1023	BUS Sylk	Non	Oui	SCSA			4.5/2	30-180
MS3103J1024		Oui	Non				4.5/2	30-180
MS3103J1221			Oui	4.5/2			30-180	
MS3103J1222			Non	4.5/2			30-180	
MS3103J1223			Oui	4.5/2			30-180	
MS3103J1224		Non	4.5/2	30-180				
MS3103J1021		Non	Oui	SCSA			4.5/2	30-180
MS3103J1022			Non				4.5/2	30-180

¹ 2 à 10 V CC

² O(2) à 10 V CC, 10 à O(2) V CC



Valeurs nominales d'humidité :

- ☐ 5 % à 95 % HR, sans condensation

Interrupteurs auxiliaires (deux SPST) :

- ☐ Interrupteurs fixes à 10 et 80 degrés
- ☐ 125 V CA, 1 A, charge résiduelle

Montage : Adaptateur d'arbre à centrage automatique (accouplement d'arbre) :

- ☐ Arbres de volet ronds : 9 à 16 mm (3/8 à 5/8 po)
- ☐ Arbres de volet carrés : 6 à 13 mm (1/4 à 1/2 po)
- ☐ Couple de serrage nominal de la vis de l'adaptateur d'arbre à centrage automatique : 12 Nm (106 lb-pi).

Montage : Adaptateur d'arbre sans centrage automatique :

- ☐ Arbres amortisseur ronds : 1/4 à 3/4 po (6 à 19 mm)
- ☐ Arbres amortisseur carrés : 1/4 à 1/2 po (6 à 13 mm)
- ☐ Le couple nominal de serrage pour les vis de l'adaptateur de l'arbre sans centrage automatique est 62 lb po (7 Nm)

Longueur minimale de l'arbre de volet :

- ☐ 3,25 po (83 mm) recommandée pour l'adaptateur de l'arbre avec centrage automatique.
- ☐ 3 po (75 mm) recommandée pour l'adaptateur de l'arbre sans centrage automatique.

Durée du retour de ressort (à charge nominale) :

- ☐ < 25 secondes à -30 à 65 °C (-22 à 150 °F)
- ☐ < 60 secondes à -40 à -30 °C (-40 à -22 °F)

Spécification du câble :

- ☐ Câble d'alimentation : pour plénum, longueur de 0,914 m (3 pi) depuis l'extrémité du couvercle d'accès, calibre 18 AWG
- ☐ Câble des interrupteurs : pour appareils, longueur de 0,914 m (3 pi) depuis l'extrémité du couvercle d'accès, calibre 18 AWG

Tableau 2. Adaptateurs d'arbre.

Type d'adaptateur d'arbre	A	B
Adaptateur à centrage automatique	90 mm (3,54 po)	39 mm (1,54 po)
Adaptateur sans centrage automatique	3,11 po (79 mm)	1,57 in. ¹ (40 mm)

¹ Pour 1/2 arbre.

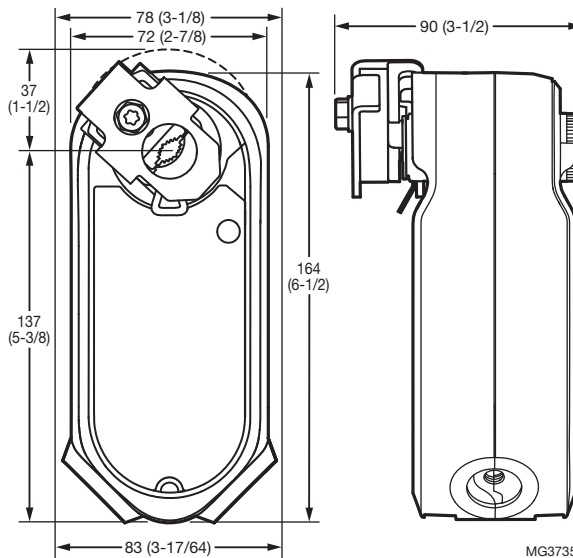


Fig. 2. Plan dimensionnel de l'actionneur sans conduit en mm (po). Voir le Tableau 2 pour les dimensions A et B.

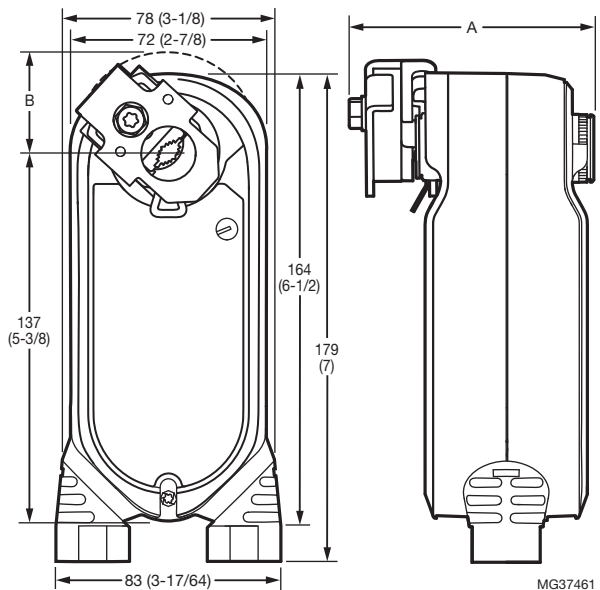


Fig. 1. Plan dimensionnel de l'actionneur en mm (po). Voir le Tableau 2 pour les dimensions A et B.

Course :

- ☐ 95° ±3°, limite mécanique.

Homologation :

- ☐ UL60730
- ☐ IEC 60730-1 et partie 2-14
- ☐ UL1097 pour isolation double
- ☐ Certification CE Low Voltage Directive (2014/35/EU)
- ☐ CE EMC 2004/108/EC
- ☐ Les câbles des interrupteurs sont homologués en vertu de la norme UL uniquement.

Déchet d'équipements électriques et électroniques (DEEE) (Waste Electrical and Electronic Equipment, WEEE) :



Élimination appropriée de ce produit (applicable en Union européenne et dans les autres pays européens dotés de systèmes de collecte distincts). A la fin de sa durée de vie utile, ce produit doit être éliminé conformément aux lois, aux règlements et aux procédures applicables de la région.

Spécifications du boîtier :

- ☐ IP54, dépend de la position, selon « Déterminer l'orientation de montage adéquate » à la page 4.
- ☐ NEMA 2
- ☐ Résistance aux flammes UL94-5VA
- ☐ UL2043, le câblage de l'interrupteur dépend de l'installation de la conduite

Impédance d'entrée :

- 95 kOhms minimum pour l'entrée modulante analogique.

Signal de rétroaction :

- 2 à 10 V CC, source 1mA, chute 0,5 mA

Caractéristiques bruit à 1 m de l'entraînement (maximum à une vitesse d'entraînement de 90 s) :

- Flottant/modulant/Sylk < 40 dB(A)
- Rappel par ressort : < 65 dB(A)

Accessoires et références de commande :

- Kit manivelle, n° OS DIAM-CRK-01
- Adaptateur à centrage automatique
- Support antirotation

SPÉCIFICATIONS TYPES

Les moteurs de registre doivent être de type à accouplement direct. Ils doivent se monter directement sur un arbre de renvoi d'un diamètre allant jusqu'à 19 mm (3/4 po), sans nécessiter une manivelle ou une bielle. L'actionneur doit se monter sur l'arbre au moyen d'un moyeu de sortie doté d'un accouplement d'arbre à centrage automatique. Le montage de l'accouplement doit être concentrique et l'ensemble doit comporter un mécanisme de butée réglable intégré.

L'actionneur doit comporter deux positions de commande, soit par action proportionnelle ou flottante. La commande proportionnelle utilise directement un signal d'entrée de 0 à 10 V c.c., de 2 à 10 V c.c., ou de 4 à 20 mA (avec résistance shunt de 500 ohms). Certains modèles d'actionneur à régulation proportionnelle et flottante fournissent un signal de rétroaction. Les actionneurs à régulation flottante doivent être munis d'un interrupteur de commande de sens de rotation accessible, situé sur le couvercle.

Tous les actionneurs à ressort de rappel doivent être installés pour l'une ou l'autre des positions de sécurité (sens horaire ou antihoraire) avec un ressort de rappel mécanique toujours engagé. Ce ressort doit ramener la vanne ou l'actionneur en position de sécurité dans les 25 secondes qui suivent une coupure de courant.

Tous les actionneurs doivent être conçus pour un niveau de rendement minimal de 60 000 courses complètes au couple nominal et à la température spécifiés, de 60 000 cycles de retour de ressort et de 1 500 000 repositionnements. Le temps de fonctionnement doit être constant et indépendant de la charge, de la température et du niveau de tension, selon les spécifications. Tous les actionneurs doivent être conformes aux normes UL60730 et cUL (CSA22.2) indiquées, comporter une garantie de cinq ans et être fabriqués conformément aux normes internationales de contrôle de la qualité ISO 9001. Les actionneurs doivent être tels que fabriqués par Honeywell.

Bus Sylk™ :

Le bus Sylk est un bus à deux fils à polarité indifférente qui fournit une communication entre un actionneur adapté Sylk et un contrôleur Sylk. Pour le câblage, l'actionneur adapté Sylk peut être monté à une distance maximale de 61 m (200 pi) du contrôleur ; il est recommandé d'utiliser un câble à paire torsadée pour un câblage supérieur à 30,5 m (100 pi). L'utilisation des actionneurs Sylk permet d'enregistrer les E/S sur le contrôleur et l'installation est plus rapide et moins coûteuse, le bus n'étant pas sensible à la polarité.

INSTALLATION

Lorsque vous installez ce produit...

1. Lisez ces instructions attentivement. Le non-respect de ces consignes peut entraîner l'endommagement du produit ou causer une condition dangereuse.
2. Vérifiez les caractéristiques nominales indiquées dans les instructions et sur le produit pour vous assurer qu'il convient à l'utilisation prévue.
3. L'installateur doit être un technicien en entretien formé et expérimenté.
4. Une fois l'installation terminée, vérifiez le fonctionnement du produit de la manière décrite dans ces instructions.



MISE EN GARDE

Les tensions faibles peuvent électrocuter les personnes ou provoquer un court-circuit de l'équipement.

Débranchez l'alimentation avant de commencer l'installation.

IMPORTANT

Tout le câblage doit être conforme aux codes, aux ordonnances et aux réglementations électriques en vigueur.

Emplacement

Ces actionneurs sont conçus pour être montés directement à un arbre d'entraînement de volet externe. L'accouplement d'arbre se fixe à l'arbre d'entraînement. Le boîtier de l'actionneur comprend des fentes qui, avec le support antirotation, fixe l'actionneur au cadre du volet ou au conduit (voir la Fig. 10).

REMARQUES :

- Avec un montage conforme, ces fentes permettent à l'actionneur de flotter sans pivoter par rapport à l'arbre du volet.
- En utilisant d'autres supports ou bielles, l'actionneur peut être monté au pied ou en tandem.



MISE EN GARDE

Risque d'endommagement du moteur. Les vapeurs corrosives et d'acides peuvent endommager les pièces métalliques et plastiques.

Installez le moteur à un endroit non exposé aux vapeurs d'acides ou à d'autres vapeurs destructrices.



MISE EN GARDE

Risque d'endommagement de l'équipement. Serrer l'actionneur trop fermement au boîtier de volet peut endommager l'actionneur.



Montez l'actionneur de manière à lui permettre de flotter sur son axe vertical.

Préparation

Avant de monter l'actionneur sur l'arbre du volet, déterminez :

- Le sens d'ouverture du volet ou de la vanne afin de connaître le sens de pivotement du ressort de rappel. L'actionneur peut être monté pour fournir un retour de ressort en sens horaire ou antihoraire en inversant la position de l'unité.
- Diamètre de l'arbre de volet (voir la section Spécifications).

Déterminer l'orientation de montage adéquat

Les actionneurs sont conçus pour ouvrir un volet en actionnant l'arbre de ce dernier en sens horaire  ou antihoraire  (voir la Fig. 3).

REMARQUES :

- Les actionneurs sont expédiés en position complètement fermée (ressort de rappel).
- La rainure sur l'adaptateur pointe vers un emplacement sur l'étiquette pour indiquer la position rotative du moyeu.

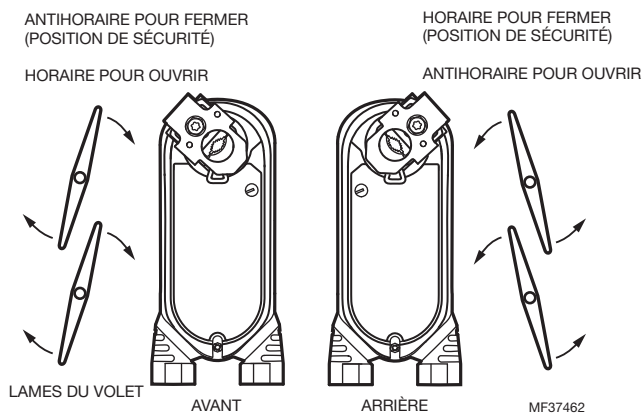


Fig. 3. Orientation de montage DCA du ressort de rappel.

Mesurer la longueur de l'arbre de volet/vanne

Si l'arbre mesure moins de 83 mm (3,25 po) pour le SCSA, l'accouplement de l'arbre doit se situer entre le volet/vanne et le boîtier de l'actionneur. Si l'arbre mesure plus de 76 mm (3 po), l'accouplement d'arbre peut être placé d'un côté ou l'autre du boîtier d'actionneur.

Si vous devez déplacer l'accouplement d'un côté de l'actionneur à l'autre, inversez le sens du ressort de rappel et inversez l'actionneur. Veuillez suivre ces directives (Fig. 4) :

1. Retirez l'agrafe de l'accouplement d'arbre, puis mettez-la de côté pour une utilisation ultérieure.
2. Retirez l'accouplement d'arbre d'un côté de l'actionneur.

3. Remplacez l'accouplement d'arbre de l'autre côté de l'actionneur en l'alignant selon son étiquette de course.
4. Reposez l'agrafe de l'accouplement sur l'arbre à l'aide de la rainure de l'accouplement.

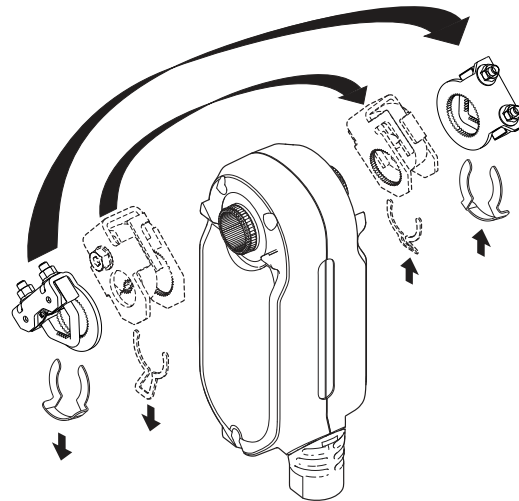


Fig. 4. Montage de l'accouplement de l'autre côté de l'actionneur.

Sélection du signal de commande de l'actionneur (modèles MS7503 seulement)

On effectue les sélections au moyen du cadran qui apparaît sur le devant et l'arrière de l'actionneur (voir la Fig. 5).

Pour sélectionner un signal de commande, tournez simplement le cadran au mode souhaité (comme indiqué sur l'étiquette de l'appareil) sans dépasser les indicateurs de plage.

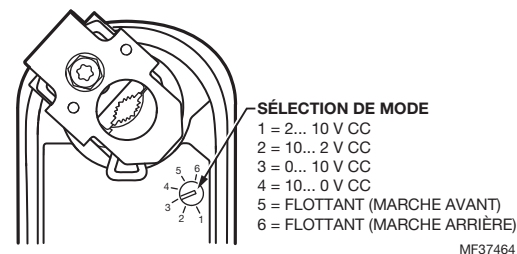


Fig. 5. Cadran de signal de commande.

Pour les modèles MS31XX uniquement

Ces actionneurs sont disponibles avec le pot de sélection d'adresse Sylk.

REMARQUE : Vous pouvez choisir parmi 5 adresses Sylk effectives. Par exemple, pour sélectionner l'adresse Sylk 11, déplacez le pot de la plage sur 1.

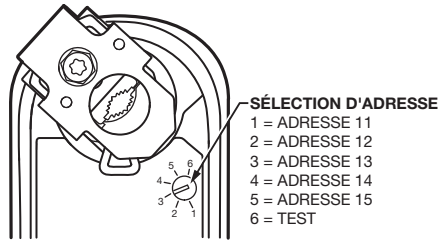


Fig. 6. Cadran de sélection d'adresse.

Course non standard

Réduction de la course mécanique

Pour les utilisations nécessitant une plage de moins de 95°, un simple réglage suffit. Lorsque le montage rotationnel de l'accouplement d'arbre est modifié, l'actionneur n'utilise pas la course complète de 95°.

Vous pouvez régler la course par incréments de 7,5°. Une fois la course réglée, l'actionneur s'arrête lorsque l'accouplement d'arbre atteint la butée mécanique (qui fait partie du boîtier). Cette butée arrête la force appliquée par le moteur et ainsi l'accouplement d'arbre. Lorsque l'actionneur revient à la position, il arrête à la position de sécurité. Il est interdit de limiter mécaniquement la position minimale. Au besoin, utilisez une limitation électronique ou logicielle.

Suivez ces directives pour limiter la course :

1. Retirez l'agrafe de l'accouplement d'arbre, puis mettez-la de côté pour une utilisation ultérieure.
2. Retirez l'accouplement d'arbre de l'actionneur.
3. Faites pivoter l'accouplement à la position voulue, en l'alignant selon son étiquette de course. Voir la Fig. 7.

REMARQUE : L'emplacement de l'accouplement d'arbre détermine la course.

EXEMPLE : Le fait de régler l'accouplement d'arbre à une position de sécurité approximative de 30° (comme indiqué sur le boîtier) limite la course à 60°. (Voir la Fig. 7)

4. Posez l'accouplement d'arbre à cette position.
5. Reposez l'agrafe de l'accouplement sur l'arbre à l'aide de la rainure de l'accouplement.

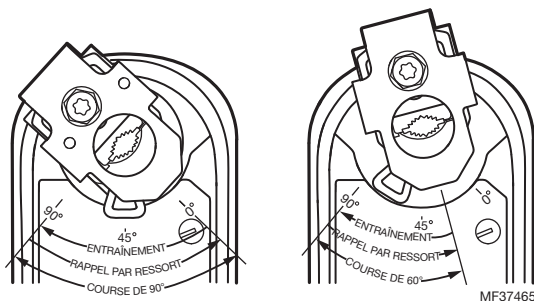


Fig. 7. Réduction de la course.

Montage

! MISE EN GARDE

Risque de dysfonctionnement de l'appareil.
Un serrage inadéquat de l'accouplement d'arbre entraînera un dysfonctionnement de l'appareil.
 Serrez l'accouplement d'arbre au bon couple pour empêcher le glissement de l'arbre du volet.

! MISE EN GARDE

Risque d'endommagement de l'actionneur.
Utiliser l'actionneur comme support d'arbre endommagera l'appareil.
 Utilisez seulement l'actionneur pour fournir un couple rotatif. Évitez les charges latérales sur les roulements d'accouplement de sortie de l'actionneur.

! MISE EN GARDE

Risque d'endommagement de l'équipement.
Peut endommager le moteur de manière permanente.
 Ne tournez jamais l'arbre du moteur à la main ou à l'aide d'une clé.
 Vous pourriez endommager le train d'engrenages si vous forcez l'arbre du moteur.

Pour monter l'actionneur à l'arbre d'entraînement externe d'un volet, suivez ces directives :

1. Placez l'actionneur sur l'arbre du volet, puis maintenez le support de montage en place. Voir la Fig. 10.
2. Marquez les trous de vis sur le boîtier du volet.
3. Déposez l'actionneur et le support de montage.
4. Percez ou poinçonnez des trous pour les vis de fixation (ou utilisez des vis à tôle autotaraudeuses n° 10).
5. Tournez les lames du volet à la position normale (fermée) voulue.
6. Remettez l'actionneur et le support de montage en place, puis fixez le support de montage au boîtier du volet à l'aide de vis à tôle.
7. À l'aide d'une clé de 10 mm, serrez fermement l'accouplement d'arbre sur l'arbre du volet à un couple maximal de 12 Nm (106 lb-po).

REMARQUE : Voir la Fig. 8 pour le montage à un arbre de volet carré.

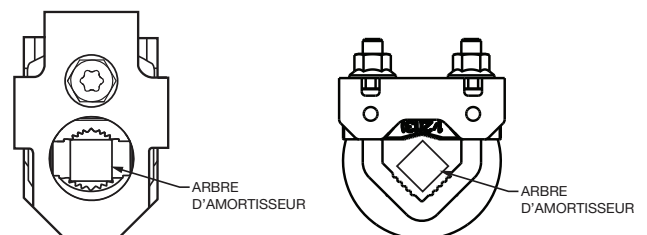
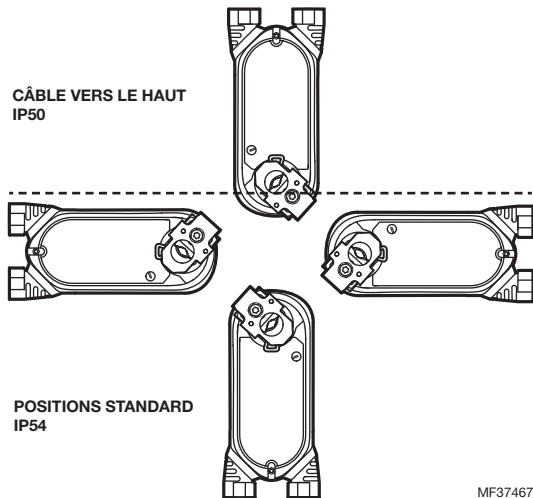


Fig. 8. Montage adéquat à un arbre de volet carré.

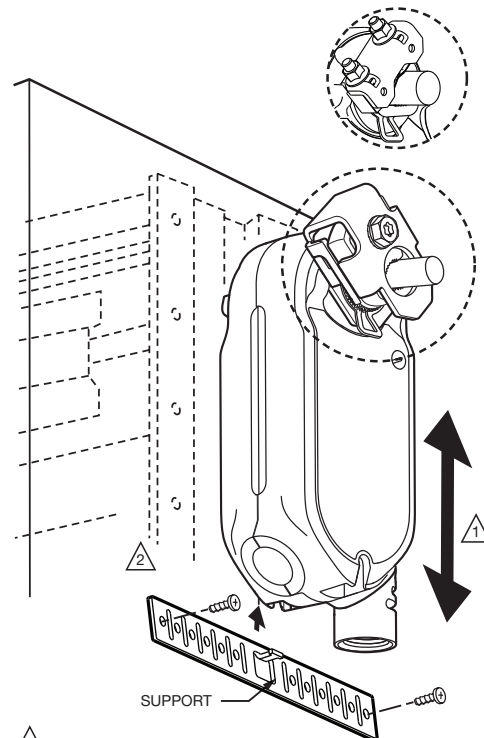
Pour respecter la norme de résistance aux infiltrations IP54, l'actionneur doit être monté conformément à la Fig. 9. La norme IP54 s'applique à toutes les positions de montage à l'exception de la position avec câble vers le haut (rayé) Fig. 9.



MF37467

Fig. 9. Montage de l'actionneur conforme à la norme IP.

Détails avec étrier



- 1 S'ASSURER QUE L'ENSEMBLE DE MONTAGE EMPÊCHE LA ROTATION DE L'ACTIONNEUR ET PERMET À L'ACTIONNEUR DE FLOTTER LE LONG DE L'AXE INDIQUÉ. QUAND IL EST TROP SERRÉ, LA LIAISON RÉSUŁTANTE PEUT ENDOMMAGER L'ACTIONNEUR OU RÉDUIRE LE COUPLE DE SORTIE.
- 2 LE SUPPORT PEUT ÊTRE COURBÉ POUR PERMETTRE LE MONTAGE DE L'ACTIONNEUR PARALLÈLEMENT À LA SURFACE DE MONTAGE.

Fig. 10. Montage de l'actionneur au boîtier de volet.

CÂBLAGE



MISE EN GARDE

Risque d'électrocution ou de dégât matériel. Débranchez toutes les sources d'alimentation avant de commencer l'installation.

Les moteurs munis d'interrupteurs auxiliaires peuvent comprendre plus d'un sectionneur.

IMPORTANT

Tout le câblage doit être conforme aux codes, aux ordonnances et aux réglementations électriques locaux.

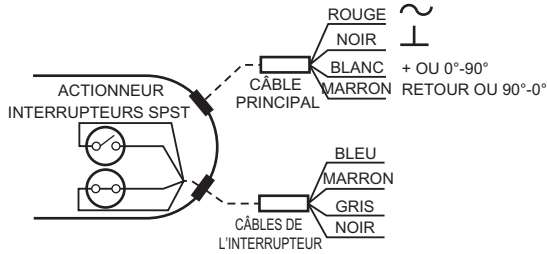


Fig. 11. Détails de l'installation du câble.

Fonctionnement de l'interrupteur

Gris/noir = normalement ouvert. Fermé dans la plage 80 degrés à entièrement ouvert.

Bleu/marron = normalement fermé. Ouvert dans la plage 10 degrés à entièrement ouvert.

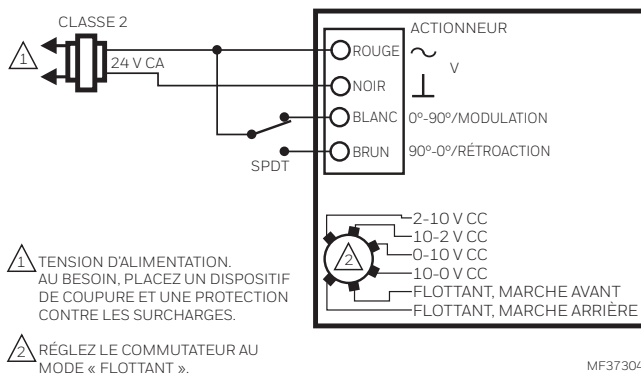
Tableau 3. Détails de câblage.

Câble	Flottant	Modulation	Sylk
ROUGE ~	alimentation	alimentation	alimentation
NOIR ⊥	neutre	neutre	commun
BLANC ²	0° - 90°	signal de commande	S-bus
BRUN →	90° - 0°	rétroaction ¹	S-bus

¹ Non disponible sur tous les modèles à modulation, voir le Tableau 1.

² Marron pour MS3103.

Modèles flottants et à modulation

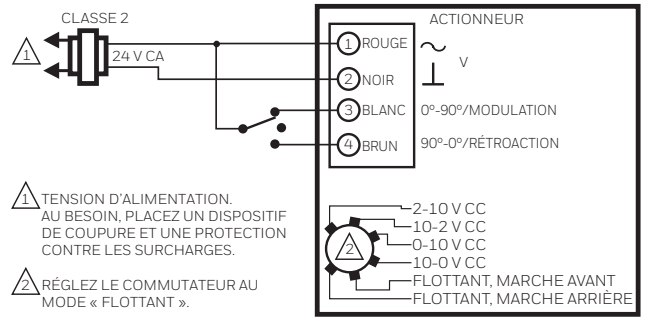


1 TENSION D'ALIMENTATION. AU BESOIN, PLACEZ UN DISPOSITIF DE COUPURE ET UNE PROTECTION CONTRE LES SURCHARGES.

2 RÉGLEZ LE COMMUTEUR AU MODE « FLOTTANT ».

MF37304

Fig. 12. Câblage pour commande de marche/arrêt SPDT, MS75.

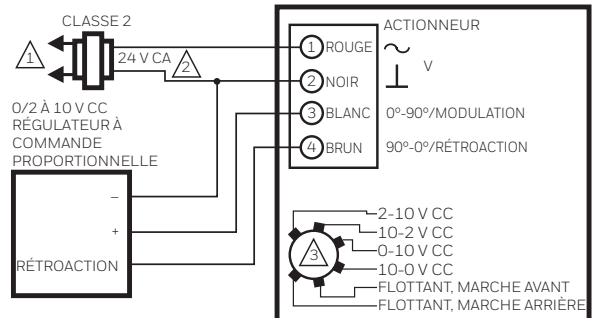


1 TENSION D'ALIMENTATION. AU BESOIN, PLACEZ UN DISPOSITIF DE COUPURE ET UNE PROTECTION CONTRE LES SURCHARGES.

2 RÉGLEZ LE COMMUTEUR AU MODE « FLOTTANT ».

MF37319

Fig. 13. Câblage pour commande flottante, MS75.



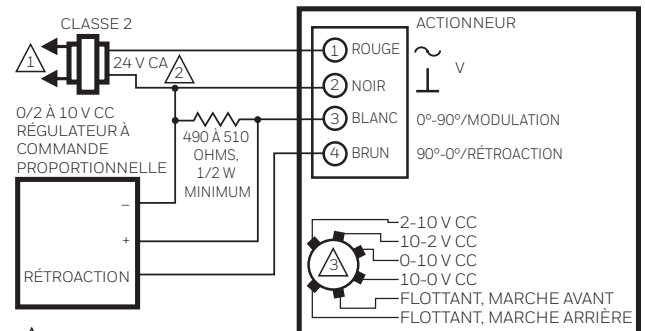
1 TENSION D'ALIMENTATION. AU BESOIN, PLACEZ UN DISPOSITIF DE COUPURE ET UNE PROTECTION CONTRE LES SURCHARGES.

2 ALIMENTATION 24 V CC ACCEPTÉE.

3 RÉGLEZ LE COMMUTEUR À MODULATION, SI POSSIBLE.

MF37320

Fig. 14. Câblage à commande modulante (0/2-10 V CC) proportionnelle, MS75 (montrée) et MS71



1 TENSION D'ALIMENTATION. AU BESOIN, PLACEZ UN DISPOSITIF DE COUPURE ET UNE PROTECTION CONTRE LES SURCHARGES.

2 ALIMENTATION 24 V CC ACCEPTÉE.

3 RÉGLEZ LE COMMUTEUR À MODULATION, SI POSSIBLE.

MF37321

Fig. 15. Câblage à commande proportionnelle 4-20 mA, MS75 (montrée) et MS71.

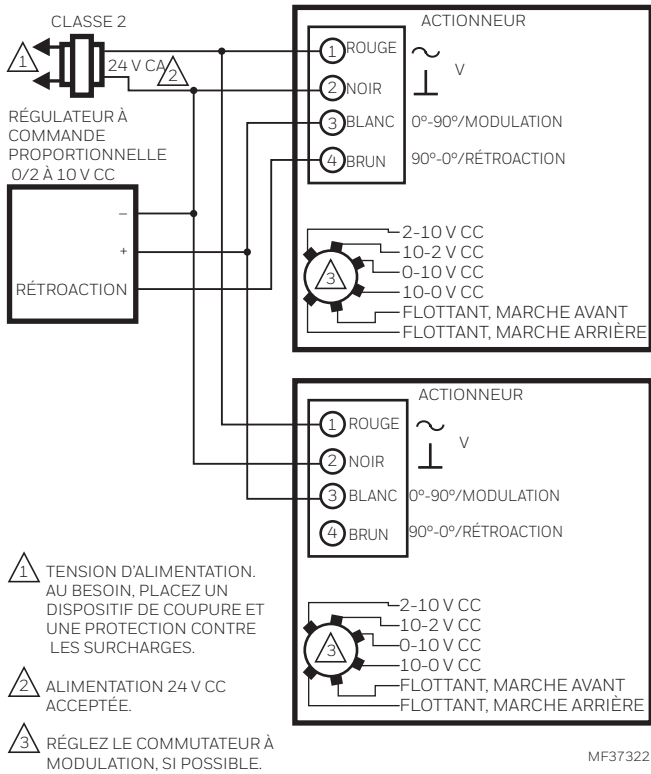


Fig. 16. Câblage à commande modulante (0/2-10 V CC) proportionnelle actionnant plusieurs actionneurs, MS75 (montrée) et MS71.

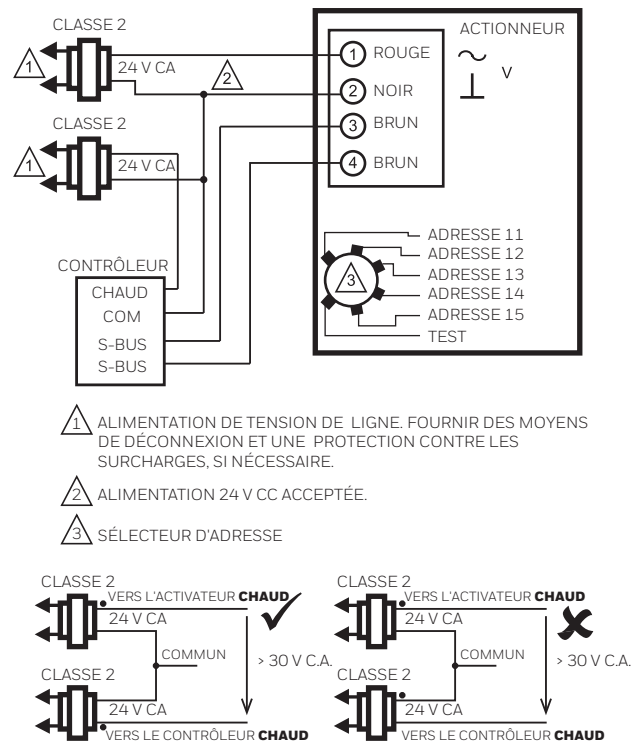


Fig. 18. Câblage pour le contrôle du BUS SYLK avec des transformateurs distincts, MS3103.

FONCTIONNEMENT

L'actionneur est conçu pour être utilisé dans les installations de ventilation et de climatisation pour actionner les vannes, les volets et les persiennes. (Voir la section Spécifications pour les valeurs nominales.) En cas de panne de courant, l'actionneur rappelle le ressort à la position de sécurité.

Lorsque vous utilisez un régulateur à commande proportionnelle et que l'actionneur est réglé à la position (0)2-10, l'actionneur passe en position complètement ouverte lorsque le signal d'entrée augmente; l'actionneur passe en position complètement fermée lorsque le signal d'entrée diminue. L'actionneur s'arrête lorsque le signal d'entrée atteint le point de commande proportionnelle souhaitée. Cette opération est inversée au réglage à la position 10-2(0).

IMPORTANT

L'actionneur est conçu pour répondre aux fermetures instantanées des contacts du contrôleur RND. Prenez garde de ne pas raccourcir le cycle de l'actionneur. La régulation instable du volet pourrait entraîner une panne précoce de l'actionneur.

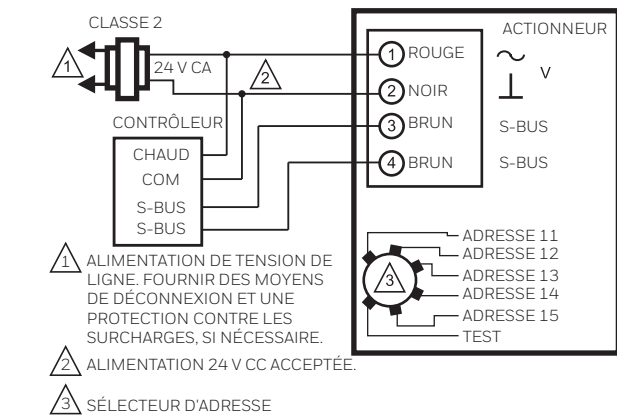


Fig. 17. Câblage pour le contrôle du BUS SYLK, MS3103.

Mode de mise en service rapide (mode de contrôle de modulation et communication SYLK uniquement)

Lorsque le signal 24 V c.a. ou 24 V c.c. est appliqué à l'entrée de modulation ou sur l'actionneur communicant SYLK, la position 6 (TEST) est sélectionnée, l'actionneur se dirige vers la position entièrement ouverte avec une vitesse supérieure correspondant à une temporisation de 30 secondes. Lorsque le signal est déconnecté, l'actionneur entraîne à la position entièrement fermée avec une temporisation de fonctionnement normal.

⚠ MISE EN GARDE

N'utilisez pas le mode d'essai rapide pour le fonctionnement permanent.

La durée de vie sera réduite si ce mode est utilisé de manière permanente. Ce mode est uniquement conçu pour être utilisé lorsque de la mise en service/mise à l'essai initial après l'installation. La consommation énergétique n'est pas précisée pour ce mode.

Interrupteurs auxiliaires

Certains modèles comprennent des interrupteurs auxiliaires. Voir la Fig. 11 pour les détails de câblage.

Neutralisation de l'actionneur

Pour neutraliser le signal de commande (pour la protection contre le gel ou applications semblables) :

1. Neutralisation en position complètement ouverte (mise en service rapide, mode d'entraînement inférieur à 30 s) :
 - a. Débranchez le signal d'entrée (de la borne 3).
 - b. Appliquez une tension de 24 V CA à la borne 3.
 - c. Voir la Fig. 19.
2. Retour en position complètement fermée :
 - a. Débranchez le signal d'entrée (de la borne 3).
 - b. Voir la Fig. 20.

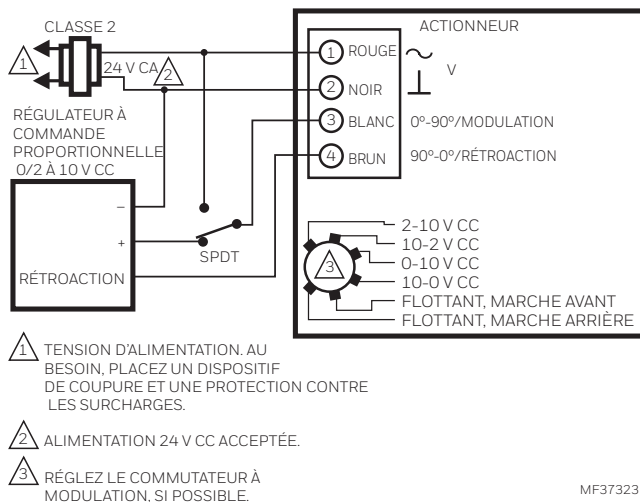


Fig. 19. Neutraliser à la position ouverte.

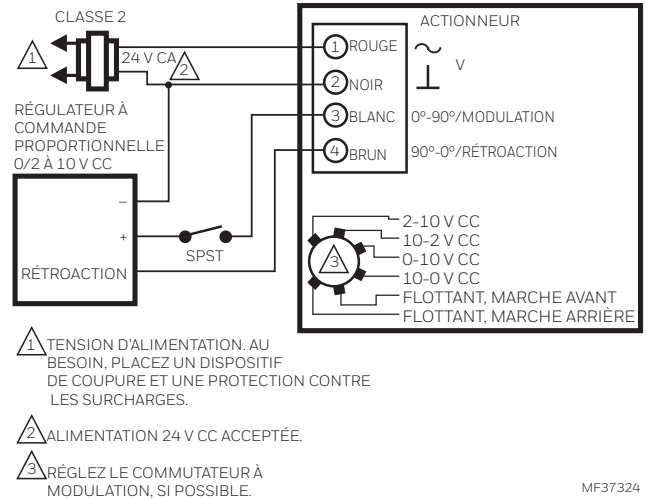


Fig. 20. Retour en position complètement fermée.

VÉRIFICATION

Fonctionnement à commande modulante/flottante

1. Montez l'actionneur en fonction de l'usage prévu (rotation horaire ↻ ou antihoraire ↺ pour ouvrir le volet).
2. Branchez l'alimentation aux fils d'alimentation et neutre. (Voir la Fig. 11 et le Tableau 3.)
3. Réglez le cadran « Sélection de mode » au signal de commande souhaité. (Voir la Fig. 5.)
4. Envoyez le signal de commande d'ouverture ou de fermeture complète de l'actionneur. (Voir la Fig. 11 et le Tableau 3.)
 - a. (0)2-10 V CC : envoyez un signal de 10 V CC au fil de commande (BLANC).
 - b. 10-(0)2 V CC : envoyez un signal de 0(2) V CC au fil de commande (BLANC).
 - c. (0)4-20 mA : envoyez un signal de 20 mA au fil de commande (BLANC).
 - d. 20-(0)4 mA : envoyez un signal de 0(4) mA au fil de commande (BLANC).
 - e. Flottant : envoyez un signal 24 V CA au fil 0°-90° (BLANC) ou 90°-0° (BRUN) approprié.
5. L'actionneur passe en position complètement ouverte ou complètement fermée.
6. Envoyez le signal de commande de position 0 % de l'actionneur. (Voir la Fig. 11 et le Tableau 3.)
 - a. (0)2-10 V CC : envoyez un signal de 0(2) V CC au fil de commande (BLANC).
 - b. 10-(0)2 V CC : envoyez un signal de 10 V CC au fil de commande (BLANC).
 - c. (0)4-20 mA : envoyez un signal de 0(4) mA au fil de commande (BLANC).
 - d. 20-(0)4 mA : envoyez un signal de 20 mA au fil de commande (BLANC).
 - e. Flottant : envoyez un signal 24 V CA au fil 0°-90° (BLANC) ou 90°-0° (BRUN) approprié.
7. L'actionneur passe en position complètement ouverte ou complètement fermée.

Fonctionnement du rappel par ressort

1. Montez l'actionneur en fonction de l'usage prévu (rotation horaire ↻ ou antihoraire ↺ pour ouvrir le volet ou la vanne).
2. Branchez l'alimentation aux fils d'alimentation et neutre. (Voir la Fig. 11 et le Tableau 3.)
3. Réglez le cadran « Sélection de mode » au signal de commande souhaité. (Voir la Fig. 5.)
4. Envoyez le signal de commande de position 50 % de l'actionneur.
 - a. Signal d'entrée V CC : envoyez un signal de 5-6 V CC au fil de commande (BLANC). Voir la Fig. 14.
 - b. Signal d'entrée mA : envoyez un signal de 10-12 mA au fil de commande (BLANC). Voir la Fig. 14.
 - c. Flottant : envoyez un signal 24 V CA au fil 0°-90° (3) ou 90°-0° (4) jusqu'à ce que l'appareil atteigne 50 %.
5. Laissez l'actionneur se rendre à la position 50 %.
6. Débranchez le fil d'alimentation (ROUGE).
7. Le ressort de l'actionneur revient à la position 0 %.
8. Rebranchez le fil d'alimentation (ROUGE), l'actionneur revient à la position 50 %.

Fonctionnement de la rétroaction

1. Branchez un multimètre, réglé à VCC, au fil neutre (NOIR) et au fil de rétroaction (BRUN).
2. Envoyez le même signal qu'à l'étape 4 du fonctionnement par modulation.
3. La valeur du multimètre augmente pour correspondre au signal d'entrée alors que l'actionneur passe en position complètement ouverte ou complètement fermée.
4. Envoyez le même signal qu'à l'étape 6 du fonctionnement par modulation.
5. La valeur du multimètre diminue pour correspondre au signal d'entrée alors que l'actionneur passe à la position 0 %.

Vérification directe

1. Montez l'actionneur en fonction de l'usage prévu (rotation horaire ↻ ou antihoraire ↺ pour ouvrir le volet ou la vanne).
2. Vérifiez la position de l'actionneur et assurez-vous de la présence de tensions 24 V CC/CA aux raccordements appropriés. (Voir la Fig. 11.)
3. Envoyez le signal de commande aux raccordements appropriés pour déplacer le volet à la position opposée. L'actionneur devrait entraîner le volet ou la vanne.
4. Si l'actionneur ne s'active pas, assurez-vous qu'il est bien installé pour une rotation horaire ↻ ou antihoraire ↺.
5. Si l'actionneur est bien installé, mais ne fonctionne toujours pas, remplacez-le.

Vérification de l'adaptation Sylk (S-BUS)

1. Montez l'actionneur pour l'application requise en le tournant (dans le sens des aiguilles d'une montre ↻ ou dans le sens inverse ↺ pour ouvrir le clapet).
2. Connectez le contrôleur adapté Sylk (S-BUS) aux bornes 3 et 4.
3. Connectez l'alimentation aux bornes 1 et 2.
4. Sélectionnez l'adresse appropriée sur le cadran afin de correspondre à l'adresse que vous souhaitez utiliser (comme illustré dans le tableau à côté du cadran).
5. Appliquez la commande S-BUS via le contrôleur connecté adapté Sylk pour la position de l'actionneur.
6. Le mode de test local (mode de mise en service rapide) peut être sélectionné en sélectionnant la position 6 dans le cadran de sélection d'adresse. N'oubliez pas de réinitialiser le cadran avec les paramètres appropriés pour l'adresse de votre choix une fois le test terminé.

Description NFC

- Appareil conforme aux normes ISO/IEC 14443A.
- LE NFC peut être utilisée pour la communication entre l'actionneur et un appareil prenant en charge LE NFC.
- La zone d'accès NFC est indiquée à la Fig. 21.
- Si le point d'accès NFC est orienté vers le volet, l'accès du côté des fils d'alimentation pourrait être limité selon l'installation ou les capacités NFC de l'appareil.

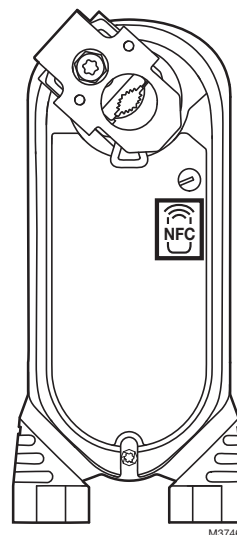


Fig. 21. Zone d'accès NFC.

Instructions de sécurité

Un système de sécurité physique, comme une armoire verrouillée, une salle des équipements ou tout autre emplacement de l'appareil qui restreint son accès physique, est recommandé pour éviter le sabotage et la manipulation non autorisée des paramètres de l'appareil accessibles via une connexion NFC et une connexion SYLK. La connexion au dispositif via NFC est sécurisée à

l'aide d'un code PIN. Chaque dispositif est pré-réglé avec un code PIN par défaut d'usine. Le code PIN par défaut d'usine est 2586 et est identique pour tous les dispositifs de cette famille de produits. Il est recommandé de modifier le code PIN par défaut avec un code PIN unique spécifique à l'utilisateur. Le code PIN unique spécifique à l'utilisateur peut à tout moment être annulé à l'aide du code PIN par défaut d'usine.

TABLEAU DES SUBSTANCES DANGEREUSES - CHINE

部件名称	有害物质 Substances dangereuses					
	铅 (Pb)	汞 (Hg)	镉 (Cd)	六价铬 (Cr6+)	多溴联苯 (PBB)	多溴二苯醚 (PBDE)
印刷线路板 Carte	X	O	O	O	O	O
齿轮 Engrenages	X	O	O	O	O	O
接线端子 Bornier	X	O	O	O	O	O
电机 Moteur électrique	X	O	O	O	O	O
弹簧 Ressort	X	O	O	O	O	O

本表格依据 SJ/T 11364 的规定编制。

O: 表示该有害物质在该部件所有均质材料中的含量均在 GB/T 26572 规定的限量要求以下。

X: 表示该有害物质至少在该部件的某一均质材料中的含量超出 GB/T 26572 规定的限量要求。

" 未列入表内的其他部件, 皆不含任何超出限量要求的限制使用物质。

Tous les composants qui ne sont pas répertoriés dans le tableau ne contiennent pas des substances restreintes à un niveau supérieur au seuil.

Par l'utilisation de la présente documentation Honeywell, vous consentez à ce qu'Honeywell ne possède aucune responsabilité pour tous dommages résultant de votre utilisation ou modification de ladite documentation. Vous défendrez et indemnifierez Honeywell, ses sociétés affiliées, filiales pour et contre toute responsabilité, frais ou dommages, y compris les honoraires d'avocats, résultant de quelque manière, ou survenant en connexion avec toute modification à la documentation de votre part.

Honeywell Building Technologies

Aux États-Unis :

Honeywell

715 Peachtree Street NE

Atlanta, GA 30308

customer.honeywell.com

® Marque de commerce déposée aux États-Unis
© 2020 Honeywell International Inc.
31-00141M-06 M.S. Rev. 03-20
Imprimé aux États-Unis

Honeywell



Actuadores de acoplamiento directo con muelle de recuperación serie 3 Nm MS7103, MS7503, MS3103



INSTRUCCIONES DE INSTALACIÓN

Los actuadores de acoplamiento directo (DCA) con muelle de recuperación MS7103, MS7503, MS3103 se utilizan en sistemas de calefacción, ventilación y aire acondicionado (climatización). Pueden usarse para accionar una gran variedad de elementos giratorios de control final que requieren un funcionamiento a prueba de fallos con retorno por muelle.

Estas son algunas de las aplicaciones de estos actuadores:

- Reguladores de control de volumen, montados directamente en el eje de la unidad o de forma remota (con el uso de hardware accesorio)
- Válvulas giratorias de cuarto de vuelta, como válvulas de bola montadas directamente en el eje de la unidad
- Disponibles con cable en todos los modelos
- Modo de prueba rápido

ESPECIFICACIONES

Modelos:

☐ Consulte la Tabla 1.

Peso del dispositivo:

☐ 1,7 lb (0,78 kg)

Temperatura ambiente de funcionamiento:

☐ De -40 °F a 150 °F (de -40 °C a 65 °C)

Temperatura de envío y almacenamiento:

☐ De -40 °F a +150 °F (de -40 °C a +65 °C)

Tabla 1. Modelos.

Número de modelo	Descripción de entrada/salida del control	Interruptores SPST auxiliares	Conducto de 360° y 1/2"	Adaptador del eje	Par	Tensión de suministro	En funcionamiento / En espera (VA)	Unidad (s)
MS7103A1021	Modulante ¹	No	Sí	SCSA	27 lb-in (3 Nm)	Transformador de 24 V CA +/-20% a 50/60 Hz clase 2, 24 V CC +20%/-10%	4/2	90
MS7103A2021	Modulante ¹ , retroalimentación	No					4/2	90
MS7103A2221	Modulante ¹ , retroalimentación	Sí					4/2	90
MS7503A2021	Modulación ² , Variable, 2 posiciones, Comentarios	No					4/2	90
MS7503A2221		Sí					4/2	90
MS7503A2023		No					4/2	90
MS7503A2223		Sí	4/2	90				
MS7103A2024	Modulante ¹ , retroalimentación	No	No	Perno en U			4/2	90
MS7103A2224	Modulante ¹ , retroalimentación	Sí	No				4/2	90
MS3103J1023	Sylk BUS	No	Sí	SCSA			4.5/2	30-180
MS3103J1024		No	No				4.5/2	30-180
MS3103J1221		Sí	Sí				4.5/2	30-180
MS3103J1222		Sí	No		4.5/2	30-180		
MS3103J1223		Sí	Sí	Perno en U	4.5/2	30-180		
MS3103J1224		Sí	No		4.5/2	30-180		
MS3103J1021		No	Sí	SCSA	4.5/2	30-180		
MS3103J1022		No	No		4.5/2	30-180		

¹ 2-10 VDC

² 0(2)-10 V CC, 10-0(2) V CC



Coefficientes de humedad:

- ❑ De 5 % a 95 % de humedad relativa (HR), sin condensación

Interruptores auxiliares (dos SPST):

- ❑ Interruptores fijos a 10 y 80 grados
- ❑ Carga de res. de 125 V CA, 1 A

Montaje. adaptador de eje autocentrado (acoplamiento del eje):

- ❑ Ejes del regulador redondos: 9 a 16 mm (3/8 a 5/8 de pulg.)
- ❑ Ejes del regulador cuadrados: 6 a 13 mm (1/4 a 1/2 pulg.)
- ❑ El par de ajuste nominal para el tornillo del adaptador de eje con centrado automático es de 12 Nm (105 libras-pulgada).

Montaje: Adaptador de eje sin centrado automático:

- ❑ Ejes de compuerta redondos: 6 a 19 mm (1/4 3/4 de pulg.)
- ❑ Ejes de compuerta cuadrados: 6 a 13 mm (1/4 a 1/2 pulg.)
- ❑ El par de apriete nominal de los tornillos de adaptador de eje sin centrado automático es de 7 Nm (62 libras-pulgada).

Longitud mínima del eje del regulador:

- ❑ 83 mm (3,25 pulg.) recomendada para adaptador de eje con centrado automático.
- ❑ 75 mm (2,95 pulg.) recomendada para adaptador de eje sin centrado automático.

Cronometraje del muelle por recuperación (en la carga nominal):

- ❑ <25 segundos a -22 °F a 150 °F (de -30 °C a 65 °C)
- ❑ <60 segundos a -40 °F a -22 °F (de -40 °C a -30 °C)

Especificación del cable:

- ❑ Cable de alimentación: clasificación plenum, 3 ft (0,914 m) de longitud desde el extremo de la cubierta de acceso, 18 AWG
- ❑ Cable de interruptor: clasificación de artefacto, 3 ft (0,914 m) de longitud desde el extremo de la cubierta de acceso, 18 AWG

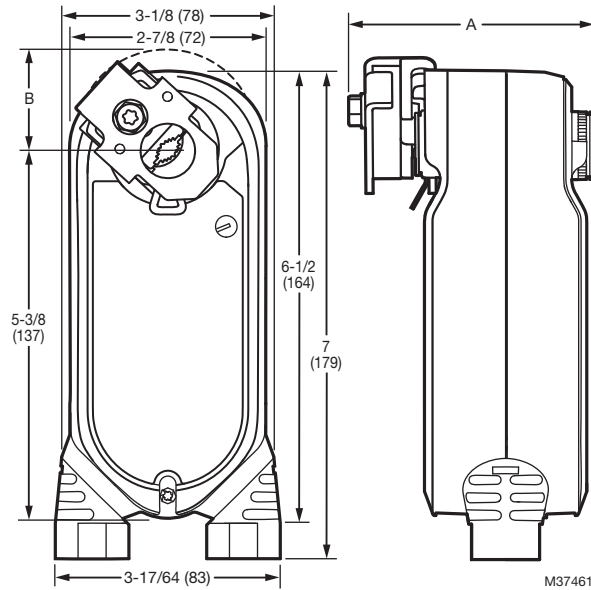


Fig. 1. Plano dimensional del actuador en in (mm). Consulte la Tabla 2 para conocer las dimensiones A y B.

Tabla 2. Adaptadores del eje.

Tipo de adaptador del eje	A	B
Adaptador autocentrado	3,54 in (90 mm)	1,54 in (39 mm)
Adaptador sin centrado automático	79 mm (3,11 pulg.)	40 mm ¹ (1,57 pulg.)

¹ Para semieje.

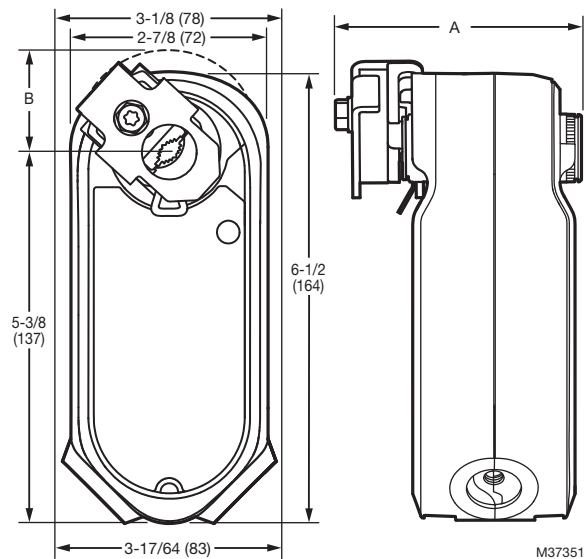


Fig. 2. Plano dimensional del actuador sin el conducto en in (mm). Consulte la Tabla 2 para conocer las dimensiones A y B.

Carrera:

- 95° ±3°, limitación mecánica.

Certificaciones:

- UL60730
- IEC 60730-1 y Parte 2 a 14
- UL1097 para aislamiento doble
- Directiva sobre baja tensión de Certificación de CE 2014/35/EU
- CE EMC 2004/108/EC
- Los cables del interruptor están certificados por UL únicamente

Residuos de equipos eléctricos y electrónicos (Waste Electrical and Electronic Equipment, WEEE):



Eliminación correcta de este producto (aplicable en la Unión Europea y otros países europeos con sistemas de separación de residuos). Se debe eliminar este producto al final de su vida útil de acuerdo con las leyes, las normativas y los procedimientos locales aplicables.

Clasificaciones de la carcasa:

- IP54, depende de la posición de acuerdo con “Cómo determinar la orientación de montaje adecuada” en la pagina 4.
- NEMA 2
- Resistencia a las llamas UL94-5VA
- UL2043; el cableado del interruptor depende de la instalación del conducto

Impedancia de entrada:

- 95 kOhmios como mínimo para la entrada de modulación analógica.

Señal de retroalimentación:

- De 2 a 10 V CC, fuente de 1 mA, receptor de 0,5 mA

Nivel sonoro con accionamiento de 1 m (máximo a velocidad de accionamiento de 90 seg.):

- Fluctuación/modulación/Sylk < 40 dB(A)
- En recuperación por muelle: <65 dBA

Información sobre pedidos y accesorios:

- Kit de brazo de cigüeñal, n.º de módulo DIAM-CRK-01
- Adaptador de eje autocentrado
- Soporte antigiro

ESPECIFICACIÓN TÍPICA

Los actuadores de muelle de recuperación deben ser del tipo acople directo sin necesidad de brazo de manivela ni conexión; deben ser aptos para montaje directo a un eje de unión de hasta 3/4 in (19 mm) de diámetro. El actuador se debe conectar al eje por medio de un nodo de salida extraíble con un acoplamiento de eje autocentrado. Esta unión debe brindar montaje concéntrico e incluir un mecanismo integral del rango de detención ajustable.

El actuador debe brindar control flotante y proporcional. “Control proporcional” se refiere a la aceptación directa de una señal de entrada de 0 a 10 V CC, 2 a 10 V CC o, con el agregado de un resistor de 500 ohm, 4 a 20 mA. Algunos modelos de control proporcional y flotante deben brindar una señal de retroalimentación. Los actuadores flotantes deben poseer un interruptor de control de dirección de rotación accesible en la cubierta.

Todos los actuadores con muelle de recuperación deben estar diseñados para la operación a prueba de fallas en sentido horario o en sentido antihorario con un muelle mecánico, accionado de forma continua. Este muelle debe llevar el actuador o la válvula a la posición a prueba de fallas dentro de los 25 segundos posteriores a la pérdida de potencia.

Todos los actuadores deben estar diseñados para un mínimo de 60 000 ciclos de carrera completa al par y temperatura nominales, 60 000 ciclos del muelle de recuperación y 1 500 000 reposiciones. El tiempo de corrida debe ser constante e independiente de lo siguiente: carga, temperatura y tensión de suministro (dentro de las especificaciones). Todos los actuadores deben ser UL60730 y cUL (CSA22.2), ofrecer una garantía de cinco años y estar fabricados de conformidad con las normas internacionales de control de calidad ISO 9001. Los actuadores deben ser fabricados por Honeywell.

Bus Sylk™:

Sylk es un bus de dos hilos sin polaridad que proporciona comunicaciones entre un actuador y un controlador compatibles con Sylk. En el caso de los cables, el actuador compatible con Sylk puede montarse a una distancia máxima de 61 m (200 pies) del controlador; se recomienda utilizar cables de par trenzado para tendidos de cable de más de 30,5 m (100 pies). El uso de actuadores compatibles con Sylk reduce el número de operaciones de E/S en el controlador y la instalación es más rápida y barata, ya que el bus no tiene polaridad.

INSTALACIÓN

Al momento de instalar este producto tenga en cuenta lo siguiente:

1. Lea estas instrucciones con atención. No seguir estas instrucciones podría dañar el producto o provocar una situación de peligro.
2. Controle las clasificaciones provistas en las instrucciones y en el producto para asegurarse de que este sea adecuado para su aplicación.
3. El instalador debe ser un profesional de servicio técnico calificado y con experiencia.
4. Después de completar la instalación, controle que el producto funcione como se indica en estas instrucciones.

PRECAUCIÓN

Peligro de daños al equipo o descarga eléctrica. La baja tensión puede generar una descarga en las personas o en un circuito de equipo corto.

Desconecte la fuente de alimentación antes de la instalación.

IMPORTANTE

Todo el cableado debe cumplir con los códigos, las ordenanzas y las regulaciones vigentes.

Ubicación

Estos actuadores están diseñados para montaje directo en un eje de unidad externa del regulador. El acoplamiento del eje se ajusta al eje de la unidad. La carcasa del actuador incluye ranuras que, junto con un soporte antigiro, sujetan el actuador al marco del regulador o trabajo de conducto (consulte la Fig. 11).

NOTAS:

- Si estas ranuras están montadas correctamente, permiten que el actuador flote sin girar en relación al eje del regulador.
- Mediante el uso de otros soportes o uniones, el actuador puede montarse sobre un pie o en serie.

PRECAUCIÓN

Peligro de daños al motor.

Los vapores corrosivos y los gases ácidos pueden dañar las piezas metálicas y plásticas.

Instale el motor en áreas sin gases ácidos ni otros vapores perjudiciales.

PRECAUCIÓN

Peligro de daños al equipo.

Si se sujeta firmemente el actuador a la carcasa del regulador, se puede dañar el actuador.



Monte el actuador de forma tal que este pueda flotar a lo largo de su eje vertical.

Preparación

Antes de montar el actuador en el eje del regulador, determine lo siguiente:

- Dirección de apertura de la válvula o el regulador para corregir la rotación del muelle de recuperación. El actuador puede montarse para proporcionar la dirección del muelle de recuperación en sentido horario o antihorario al voltear o rotar la unidad.
- Tamaño del eje del regulador (consulte la sección Especificaciones).

Cómo determinar la orientación de montaje adecuada

Los actuadores están diseñados para abrir un regulador al impulsar el eje del regulador en sentido horario  o en sentido antihorario  (consulte la Fig. 3).

NOTAS:

- Los actuadores se envían en la posición totalmente cerrada (muelle de recuperación).
- La ranura del adaptador apunta a una ubicación en la etiqueta para indicar la posición de giro del nodo.

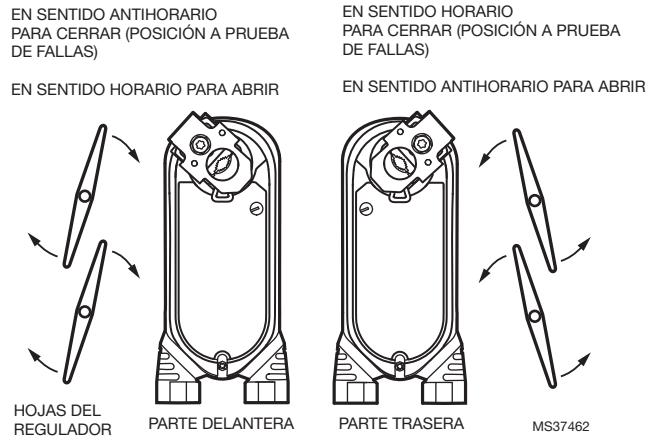


Fig. 3. Orientación del montaje del DCA con muelle de recuperación.

Cómo medir la longitud del eje de la válvula o del regulador

Si el eje tiene menos de 3,25 in de longitud para SCSA, el acoplamiento del eje debe ubicarse entre la carcasa del actuador y la válvula o el regulador. Si la longitud del eje es de más de tres pulgadas, el acoplamiento del eje puede ubicarse en cualquiera de los dos extremos de la carcasa del actuador.

Si el acoplamiento debe moverse de un extremo del actuador al otro, invierta la dirección del muelle de recuperación y voltee el actuador. Siga estas instrucciones (consulte la Fig. 4):

1. Saque el clip sujetador del acoplamiento del eje y sepárelo para usarlo más adelante.
2. Saque el acoplamiento del eje de un extremo del actuador.
3. Reemplace el acoplamiento del eje en el extremo opuesto del actuador y alinéelo según la etiqueta de la carrera.
4. Reemplace el clip sujetador en el acoplamiento del eje usando la ranura del acoplamiento.

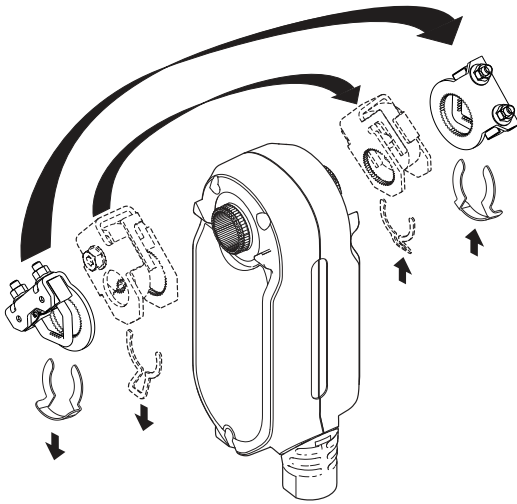


Fig. 4. Montaje del acoplamiento del eje en el extremo opuesto del actuador.

Cómo seleccionar la señal de control del actuador (para modelos MS7503 únicamente)

Las selecciones se realizan usando un dial que aparece en la parte delantera y la parte trasera del actuador (consulte la Fig. 5).

Para seleccionar la señal de control, simplemente coloque el dial de selección de modo en el modo deseado (según se indica en la etiqueta del dispositivo), sin superar los indicadores de rango.

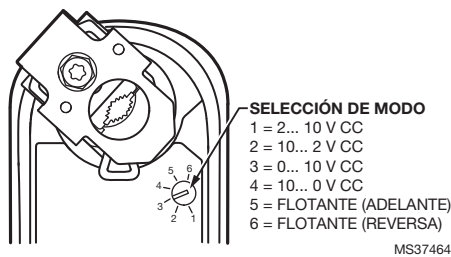


Fig. 5. Diales para la señal de control.

Solo para modelos MS31XX

Estos actuadores están disponibles con el mando de selección de direcciones Sylk.

NOTA: Puede elegir entre 5 direcciones Sylk efectivas. Por ejemplo, para seleccionar la dirección Sylk 11, mueva el mando del rango a 1.

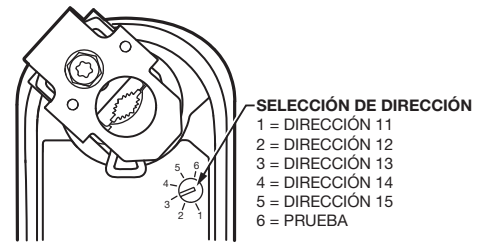


Fig. 6. Dial de selección de dirección.

Carrera no estándar

Reducción del límite de la carrera mecánica

Con respecto a las aplicaciones que requieren un rango de menos de 95 grados, se puede hacer un ajuste simple. Cuando se cambia el montaje giratorio del acoplamiento del eje, el actuador se desplaza menos que la carrera completa de 95 grados.

La carrera se puede regular en incrementos de 7,5 grados. Una vez que se regula el actuador, este se desplaza hasta que el acoplamiento del eje llega al freno mecánico (pieza de la carcasa). El freno hace que el motor deje de impulsarse y el acoplamiento del eje no se impulsa más. Cuando el actuador se recupera, se detiene en la posición a pruebas de fallas. La limitación mecánica de la posición mínima está prohibida. Use la limitación electrónica o de interruptor (Switch, SW) si fuera necesario.

Para limitar el rango de la carrera, proceda de la siguiente manera:

1. Saque el clip sujetador del acoplamiento del eje y sepárelo para usarlo más adelante.
2. Saque el acoplamiento del eje del actuador.
3. Gire el acoplamiento a la posición deseada y alinéelo según la etiqueta de la carrera. Consulte la Fig. 7.

NOTA: La ubicación del acoplamiento del eje determina el rango de recorrido.

EJEMPLO: Si instala el acoplamiento del eje en una posición a prueba de fallas aproximada de 30 grados (según se indica en la carcasa), limitará la carrera a 60 grados. (Consulte la Fig. 7).

4. Instale el acoplamiento del eje en esta posición.
5. Reemplace el clip sujetador en el acoplamiento del eje usando la ranura del acoplamiento.

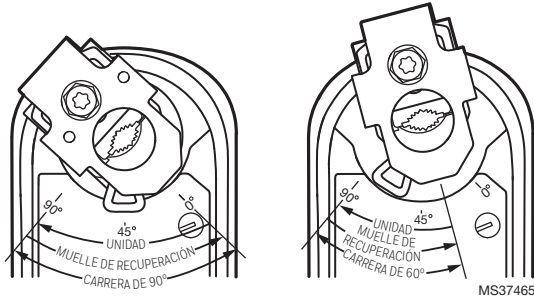


Fig. 7. Reducción de la carrera.

4. Con una perforadora o un punzón de centro, marque los orificios de montaje para los tornillos (también puede utilizar tornillos de hojas de metal autorroscantes núm. 10).
5. Gire las hojas del regulador a la posición normal (cerrada) deseada.
6. Vuelva a colocar el actuador y el soporte de montaje en su posición y sujete el soporte con la caja del regulador con tornillos de hoja de metal.
7. Con una llave de 10 mm, ajuste bien el acoplamiento del eje en el eje del regulador aplicando un par máximo de 106 lb-in (12 Nm).

NOTA: Consulte la Fig. 8 para obtener información sobre el montaje adecuado en un eje de regulador cuadrado.

Montaje

! PRECAUCIÓN

Peligro de falla en el funcionamiento del dispositivo.
El ajuste del acoplamiento del eje inadecuado provoca una falla en el funcionamiento del dispositivo.
 Ajuste el acoplamiento del eje con el par adecuado para evitar el deslizamiento del eje del regulador.

! PRECAUCIÓN

Peligro de daños al actuador.
El uso del actuador como cojinete del eje provoca daños al dispositivo.
 Solo utilice el actuador para suministrar el par giratorio. Evite las cargas laterales en los cojinetes de acoplamiento de salida del actuador.

! PRECAUCIÓN

Peligro de daños al equipo.
Puede provocarle daños irreparables al motor.
 No gire nunca el eje del motor con la mano o con una llave.
 Si gira con una fuerza excesiva el eje del motor, se puede dañar el tren de engranaje.

Para montar el actuador en el eje de la unidad externa de un regulador, proceda de la siguiente manera:

1. Coloque el actuador encima del eje del regulado y mantenga el soporte de montaje en su lugar. Consulte la Fig. 10.
2. Marque los orificios del tornillo en la carcasa del regulador.
3. Saque el actuador y el soporte de montaje.

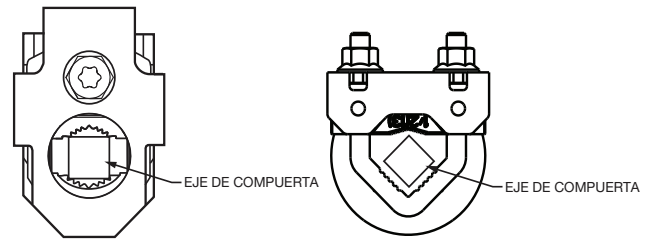


Fig. 8. Montaje adecuado en un eje de regulador cuadrado.

Para alcanzar la clasificación de protección de ingreso de IP54, el actuador debe montarse según la Fig. 9. La clasificación IP54 se aplica a todas las posiciones de montaje, excepto a la posición con cable ascendente (cruzado) Fig. 9.

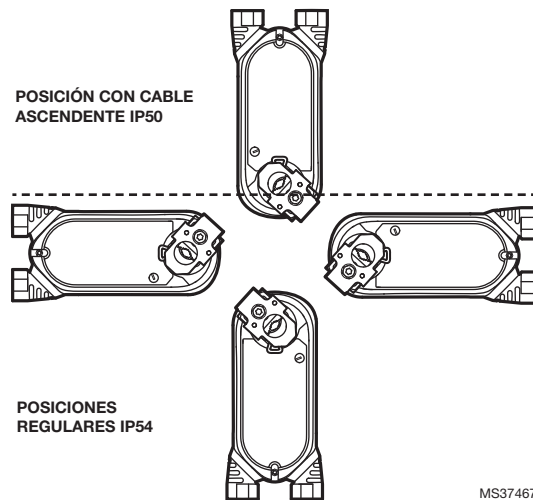


Fig. 9. Montaje del actuador para el cumplimiento de IP.

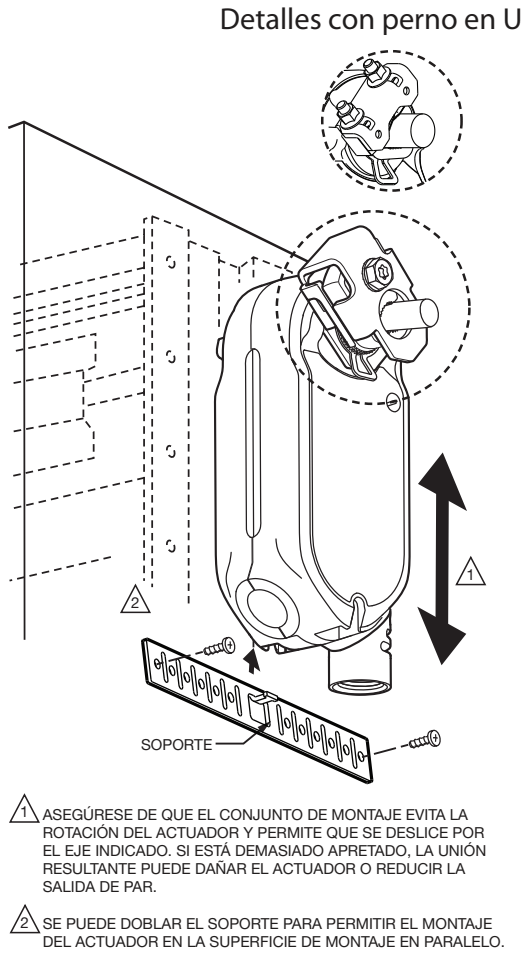


Fig. 10. Montaje del actuador en la carcasa del regulador.

CABLEADO



PRECAUCIÓN

Peligro de daños al equipo o descarga eléctrica. Desconecte todas las fuentes de alimentación antes de la instalación.
Los motores con interruptores auxiliares pueden tener más de una desconexión.

IMPORTANTE

Todo el cableado debe cumplir con los códigos, las ordenanzas y las regulaciones eléctricas locales.

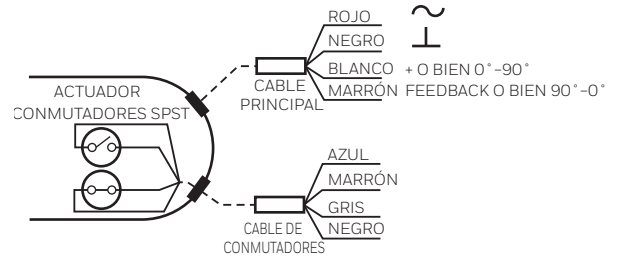


Fig. 11. Detalles de la instalación del cable.

Funcionamiento del conmutador

Gris/negro = normalmente abierta. Cerrada en un rango de 80 grados a completamente abierta.

Azul/marrón = normalmente cerrada. Abierta en un rango de 10 grados a completamente abierta.

Tabla 3. Detalles del cableado.

Cable	Flotante	Modulante	Sylk
ROJO ~	alimentación	alimentación	alimentación
NEGRO ⊥	común	común	común
BLANCO ²	0° - 90°	señal de control	Bus S
MARRÓN →	90° - 0°	retroalimentación ¹	Bus S

¹ No disponible en todos los modelos modulantes. Consulte la Tabla 1.

² Marrón para MS3103.

Modelos modulantes y flotantes

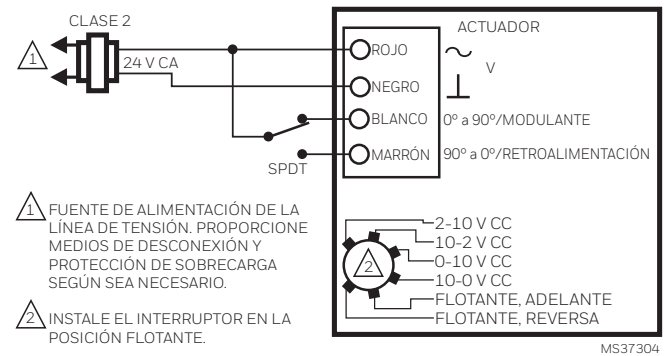


Fig. 12. Cableado para el control encendido-apagado de un solo polo y dos posiciones (SPDT), MS75.

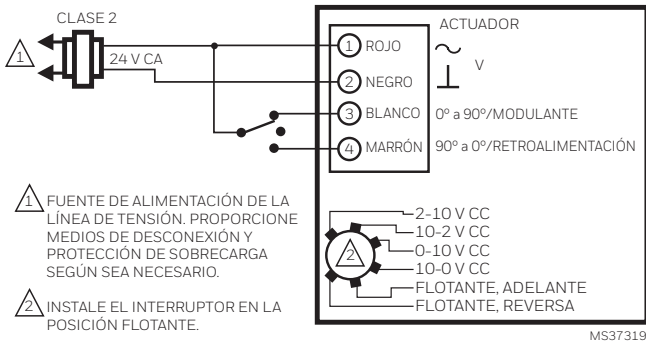


Fig. 13. Cableado para el control flotante, MS75.

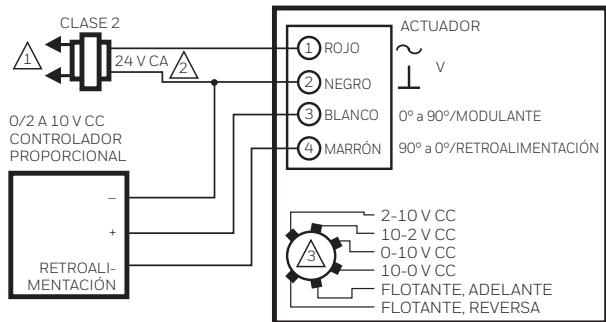


Fig. 14. Cableado para el control proporcional modulante (0/2 a 10 V CC), MS75 (se muestra) y MS71.

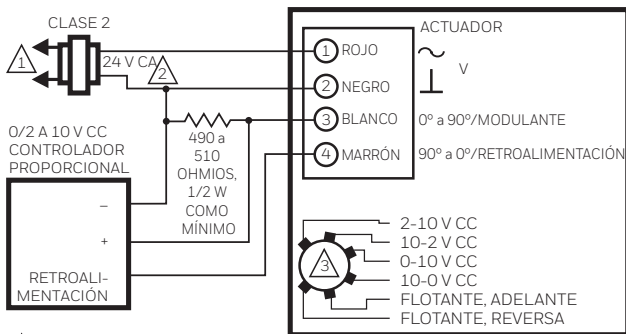


Fig. 15. Cableado para los controladores proporcionales de 4 a 20 mA, MS75 (se muestra) y MS71.

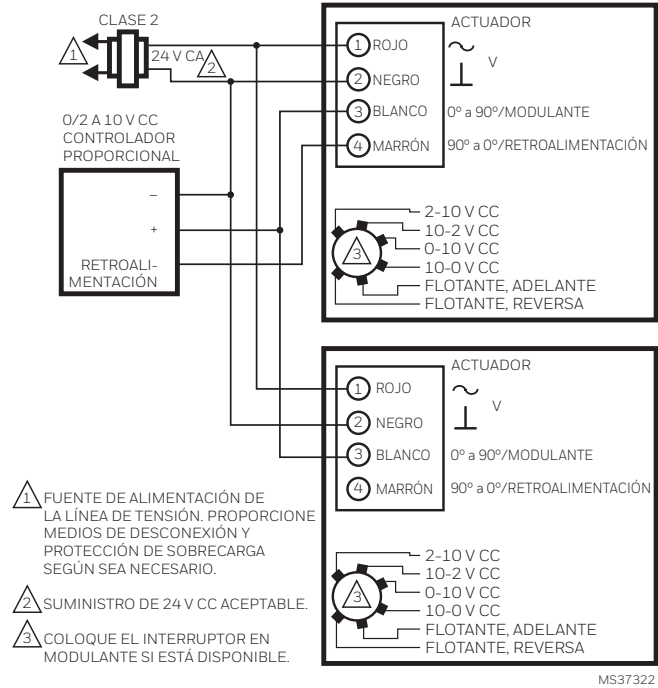


Fig. 16. Cableado para el control proporcional modulante (0/2 a 10 V CC) que pone en funcionamiento varios actuadores, MS75 (se muestra) y MS71.

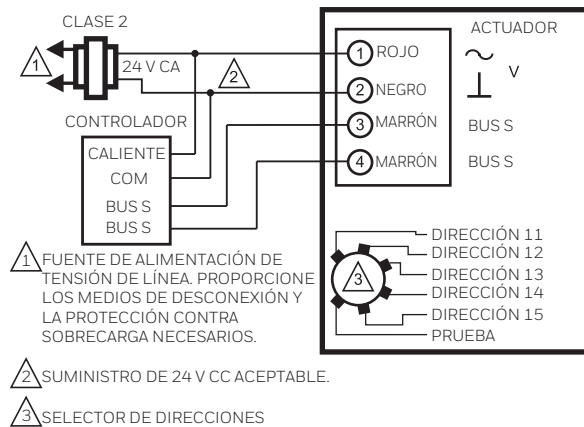


Fig. 17. Cables de control del BUS SYLK, MS3103.

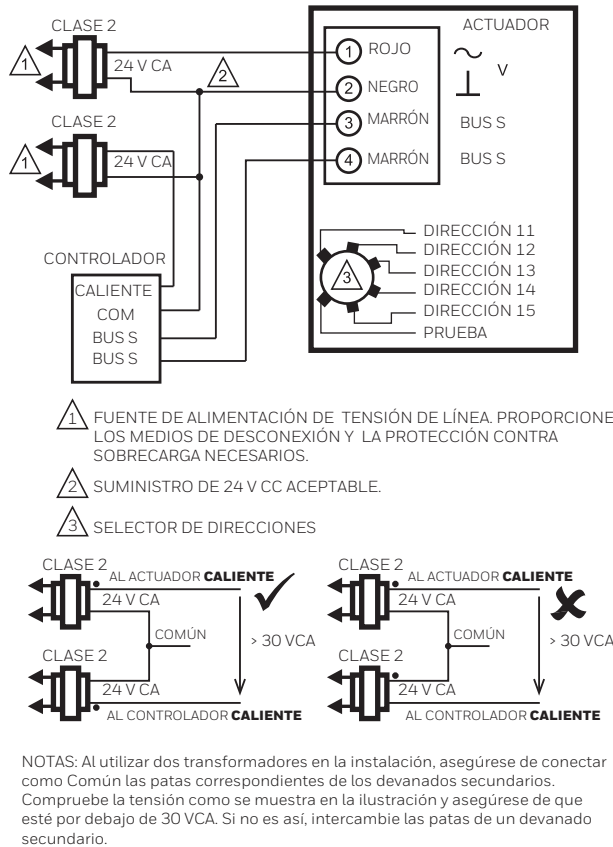


Fig. 18. Cables de control del BUS SYLK con transformadores independientes, MS3103.

FUNCIONAMIENTO

El actuador está diseñado para usarse en instalaciones de ventilación y aire acondicionado para poner en funcionamiento válvulas, reguladores, solapas de ventilación y rejillas. (Para las calificaciones, consulte la sección Especificaciones). Si la fuente de alimentación falla, el actuador retornará por muelle a la posición a pruebas de fallas.

Cuando utilice el controlador proporcional y el actuador esté colocado en la posición (0)2 a 10, el actuador se desplazará hacia su posición totalmente abierta cuando la señal de entrada aumente, y se desplazará hacia la posición totalmente cerrada cuando la señal de entrada disminuya. El actuador se detiene cuando la señal de entrada alcanza el punto de control proporcional deseado. Esto funciona en reversa cuando se coloca en una posición de 10-2(0).

IMPORTANTE

El actuador está diseñado para responder a los cierres de contacto instantáneo del controlador DDC. Tenga cuidado de no generar un ciclo corto en el actuador. El control del regulador inestable puede causar una falla prematura en el actuador.

Modo de puesta en funcionamiento rápido (modo de control de la modulación y comunicación SYLK únicamente)

Si se aplica una señal de 24 VCA o 24 VCC a la entrada de modulación o al actuador de comunicación SYLK, se selecciona la posición 6 (PRUEBA) y el actuador se accionará a la posición completamente abierta con una velocidad superior correspondiente a la temporización de 30 seg. Si la señal está desconectada, el actuador accionará hasta la posición completamente cerrada con el tiempo de funcionamiento normal.



PRECAUCIÓN

No utilice el modo de prueba rápida para el funcionamiento permanente.

La vida útil se reducirá si este modo se utiliza permanentemente. Este modo está diseñado para usarse solo para la puesta en servicio/pruebas iniciales del sistema después de la instalación. El consumo de energía no se especifica en este modo.

Interruptores auxiliares

Algunos modelos incluyen interruptores auxiliares. Para obtener detalles sobre el cableado, consulte la Fig. 11.

Anulación del actuador

Para anular la señal de control (para la protección contra el congelamiento o aplicaciones similares):

1. Anule hasta llegar a la posición totalmente abierta (puesta en servicio rápida, modo de accionamiento menor que 30 s):
 - a. Desconecte la señal de entrada (del terminal 3).
 - b. Aplique 24 V CA al terminal 3.
 - c. Consulte la Fig. 19.
2. Para retornar a la posición totalmente cerrada:
 - a. Desconecte la señal de entrada (del terminal 3).
 - b. Consulte la Fig. 20.

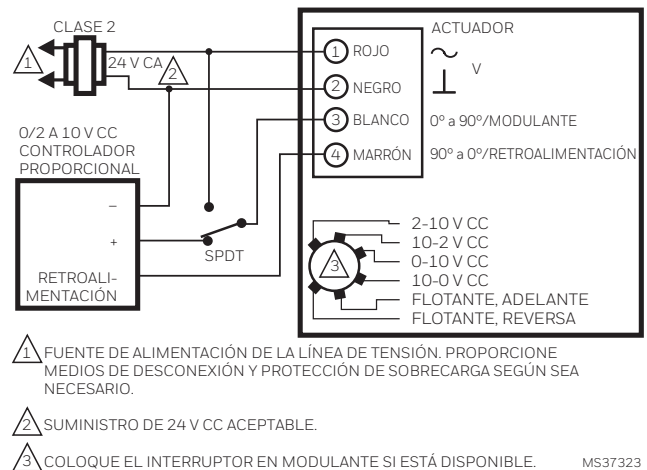


Fig. 19. Anulación hasta la posición abierta.

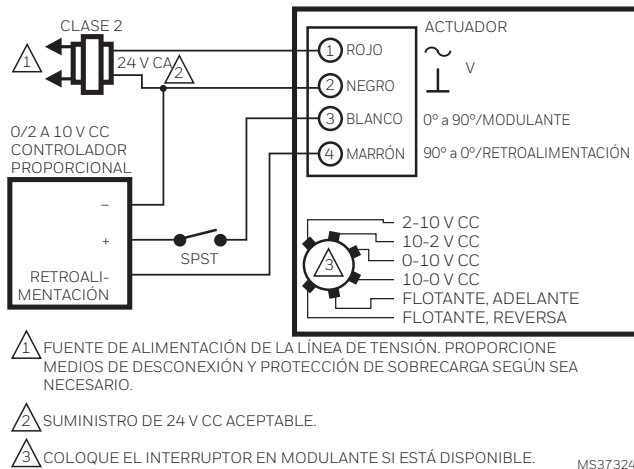


Fig. 20. Retorno a la posición cerrada.

REVISIÓN

Funcionamiento modulante/flotante

- Monte el actuador para la aplicación requerida (ya sea con rotación en sentido horario ↻ o en sentido antihorario ↺ para abrir el regulador).
- Conecte la alimentación a la alimentación y el cable común. (Consulte la Fig. 11 y la Tabla 3).
- Coloque el dial “modo Selección” en la señal de control deseada. (Consulte la Fig. 5).
- Aplique la señal de control en la posición totalmente abierta o totalmente cerrada del actuador. (Consulte la Fig. 11 y la Tabla 3).
 - (0)2-10 V CC: aplique la señal 10 V CC en el cable de control (BLANCO).
 - 10-(0)2 V CC: aplique la señal (0)2 V CC en el cable de control (BLANCO).
 - (0)4-20 mA: aplique la señal de 20 mA en el cable de control (BLANCO).
 - 20-(0)4 mA: aplique la señal de (0)4 mA en el cable de control (BLANCO).
 - Flotante: aplique 24 V CA al cable 0° a 90° (BLANCO) o 90° a 0° (MARRÓN) que corresponda.
- El actuador se desplaza hasta la posición totalmente abierta o totalmente cerrada.
- Aplique la señal de control en la posición de 0 % del actuador. (Consulte la Fig. 11 y la Tabla 3).
 - (0)2-10 V CC: aplique la señal (0)2 V CC en el cable de control (BLANCO).
 - 10-(0)2 V CC: aplique la señal 10 V CC en el cable de control (BLANCO).
 - (0)4-20 mA: aplique la señal de (0)4 mA en el cable de control (BLANCO).
 - 20-(0)4 mA: aplique la señal de 20 mA en el cable de control (BLANCO).
 - Flotante: aplique 24 V CA al cable 0° a 90° (BLANCO) o 90° a 0° (MARRÓN) que corresponda.
- El actuador se desplaza hasta la posición totalmente abierta o totalmente cerrada.

Funcionamiento de muelle de retorno

- Monte el actuador para la aplicación requerida (ya sea con rotación en sentido horario ↻ o en sentido antihorario ↺ para abrir el regulador o la válvula).
- Conecte la alimentación a la alimentación y el cable común. (Consulte la Fig. 11 y la Tabla 3).
- Coloque el dial “modo Selección” en la señal de control deseada. (Consulte la Fig. 5).
- Aplique la señal de control en la posición del 50 % del actuador.
 - Señal de entrada de V CC: aplique la señal 5 a 6 V CC en el cable de control (BLANCO). Consulte la Fig. 14.
 - Señal de entrada de mA: aplique la señal de 10 a 12 mA en el cable de control (BLANCO). Consulte la Fig. 14.
 - Flotante: aplique 24 V CA en el cable 0° a 90° (3) o 90° a 0° (4) que corresponda hasta que el dispositivo alcance el 50 %.
- Permita que el actuador se desplace hasta la posición del 50 %.
- Desconecte el cable de alimentación (ROJO).
- El actuador se recupera por muelle hasta la posición de 0 %.
- Vuelva a conectar el cable de alimentación (ROJO) y el actuador se volverá a desplazar hacia la posición del 50 %.

Funcionamiento de la retroalimentación

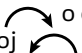

- Conecte un multímetro, establecido para V CC, a un cable común (NEGRO) y de retroalimentación (MARRÓN).
- Aplique la misma señal que en el paso 4 de Funcionamiento modulante.
- La lectura del multímetro aumenta para coincidir con la señal de entrada mientras el actuador se desplaza hacia la posición totalmente abierta o totalmente cerrada.
- Aplique la misma señal que en el paso 6 de Funcionamiento modulante.
- La lectura del multímetro disminuye para coincidir con la señal de entrada mientras el actuador se desplaza hacia la posición de 0 %.

Revisión directa

- Monte el actuador para la aplicación requerida (ya sea con rotación en sentido horario ↻ o en sentido antihorario ↺ para abrir el regulador o la válvula).
- Verifique la posición del regulador y asegúrese de que la señal 24 V CC/V CA esté presente en las conexiones adecuadas. (Consulte la Fig. 11).
- Aplique la señal de control a las conexiones que correspondan para mover el regulador a la posición opuesta. El actuador debe accionar el regulador o la válvula.
- Si el actuador no funciona, verifique que esté correctamente instalado para la rotación en sentido horario ↻ o en sentido antihorario ↺.

5. Si el actuador está correctamente instalado y sigue sin funcionar, reemplácelo.

Verificación compatible con SYLK (BUS S)

1. Monte el actuador para aplicar la rotación necesaria (ya sea en el sentido de las agujas del reloj  o en el sentido contrario al de las agujas del reloj  para abrir la compuerta).
2. Conecte el controlador compatible con SYLK (BUS S) a los terminales 3 y 4.
3. Conecte la alimentación a los terminales 1 y 2.
4. Seleccione la dirección correcta en el dial de forma que se corresponda con la dirección que desee utilizar (según lo especificado en la tabla que hay junto al dial).
5. Aplique el comando BUS S a través del controlador compatible con SYLK conectado para la posición del actuador.
6. Se puede seleccionar el modo de prueba local (modo de puesta en funcionamiento rápido) seleccionando la posición 6 en el dial selector de direcciones. Una vez completada la prueba, no olvide restablecer en el dial la configuración apropiada para la dirección que elija.

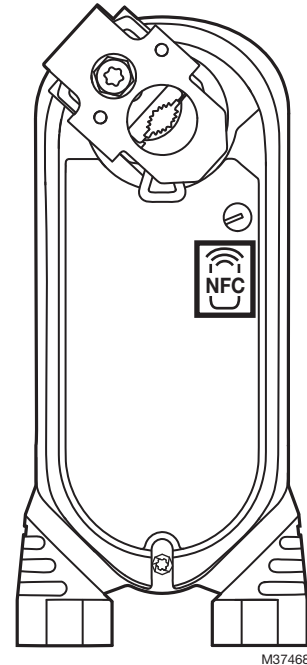


Fig. 21. Ubicación del área de acceso de la NFC.

Descripción de NFC

- El dispositivo cumple con la norma ISO/IEC 14443A.
- La Comunicación de campo cercano (Near Field Communication, NFC) puede utilizarse para la comunicación entre el actuador y el dispositivo equipado con NFC.
- La ubicación del área de acceso de NFC se muestra en la Fig. 21.
- Si el punto de acceso de la NFC apunta al regulador, el acceso limitado desde el extremo del lateral de los cables de alimentación podría ser posible según la instalación y las capacidades del dispositivo de NFC.

Instrucciones de seguridad

Se recomienda un control de seguridad físico, como un armario cerrado, una sala de equipos o cualquier otra ubicación que restrinja el acceso físico al dispositivo, a fin de evitar el uso y la manipulación no autorizados de los parámetros accesibles a través de la conexión NFC y la conexión SYLK. La conexión con el dispositivo a través de NFC se protege con un código PIN. Cada dispositivo está predefinido con un PIN predeterminado de fábrica. El PIN predeterminado de fábrica es 2586, y es el mismo para todos los dispositivos de esta familia de productos. Se recomienda cambiar el PIN predeterminado por un PIN de usuario único. Puede cancelar el PIN único del usuario mediante el PIN predeterminado de fábrica en cualquier momento.

TABLA DE SUSTANCIAS PELIGROSAS (CHINA)

部件名称	有害物质 Sustancias peligrosas					
	铅 (Pb)	汞 (Hg)	镉 (Cd)	六价铬 (Cr6+)	多溴联苯 (PBB)	多溴二苯醚 (PBDE)
印刷电路板 PCB	X	O	O	O	O	O
齿轮 Engranajes	X	O	O	O	O	O
接线端子 Bloque de terminales	X	O	O	O	O	O
电机 Motor eléctrico	X	O	O	O	O	O
弹簧 Muelle	X	O	O	O	O	O

本表格依据 SJ/T 11364 的规定编制。

O: 表示该有害物质在该部件所有均质材料中的含量均在 GB/T 26572 规定的限量要求以下。

X: 表示该有害物质至少在该部件的某一均质材料中的含量超出 GB/T 26572 规定的限量要求。

" 未列入表内的其他部件，皆不含任何超出限量要求的限制使用物质。

Todos los demás componentes que no se especifican en la tabla no contienen sustancias restringidas por encima del nivel umbral.

Con la utilización de la presente documentación, usted acepta que Honeywell no tendrá responsabilidad alguna por los daños que pudieren surgir del uso o la modificación que usted haga de la documentación. Usted exime a Honeywell, sus afiliadas y subsidiarias de toda responsabilidad, costos o daños, incluyendo las tarifas de abogados, que pudieren surgir o resultar de cualquier modificación que usted realice a esta documentación.

Honeywell Building Technologies

En los EE. UU.:

Honeywell

715 Peachtree Street NE

Atlanta, GA 30308

customer.honeywell.com



® Marca Registrada en los Estados Unidos
© 2020 Honeywell International Inc. todos
31-00141M-06 M.S. Rev. 03-20
Impreso en Estados Unidos



Direkt gekoppelte Aktuatoren mit Federrückstellung der 3-Nm-Reihe

MS7103, MS7503, MS3103



INSTALLATIONSANWEISUNGEN

Die direkt gekoppelten Aktuatoren (Direct Coupled Actuator; DCA) mit Federrückstellung MS7103, MS7503 und MS3103 werden für Heiz-, Belüftungs- und Klimaanlage-systeme (Heating, Ventilating and Air-Conditioning, HVAC) verwendet. Sie können eine Vielzahl von abschließenden Vierteldrehungssteuerungskomponenten antreiben, die einen ausfallsicheren Federrückstellungsbetrieb erfordern. Anwendungen sind:

- Mengeneinstellungsregler, die direkt an der Antriebswelle oder entfernt (unter Verwendung von Zubehör-Hardware) montiert sind
- Vierteldrehungs-Drehventile wie direkt an der Antriebswelle montierte Kugelventile
- Für alle Modelle mit Kabel verfügbar
- Schnelltestmodus

SPEZIFIKATIONEN

Modelle:

Siehe Tabelle 1.

Gerätegewicht:

0,78 kg (1,7 lbs)

Umgebungsbetriebstemperatur:

-40 bis 65 °C (-40 ° bis 150 °F)

Versand- und Lagerungstemperatur:

-40 bis +65 °C (-40 ° bis +150 °F)

Tabelle 1. Modelle.

Modellnummer	Beschreibung des Steuerungseingangs/-ausgangs	SPST-Hilfsschalter	360-Grad-Durchführung mit 1/2"	Achsenadapter	Drehmoment	Versorgungsspannung	Antreibend/haltend (VA)	Antrieb (Sek.)
MS7103A1021	Modulierend ¹	Nein	Ja	SCSA	27 lb-in (3 N)	24 VAC +/-20% @ 50/60 Hz Transformator der Klasse 2, 24 VDC +20%/-10%	4/2	90
MS7103A2021	Modulierend ¹ ,						4/2	90
MS7103A2221	Feedback						Ja	4/2
MS7503A2021	Modulierend ² , fließend, 2. Pos., Feedback	Nein					4/2	90
MS7503A2221		Ja					4/2	90
MS7503A2023		Nein					4/2	90
MS7503A2223		Ja					4/2	90
MS7103A2024	Modulierend ¹ , Feedback	Nein	Nein	U-Bolzen			4/2	90
MS7103A2224		Ja					4/2	90
MS3103J1023	Sylk-BUS	Nein	Ja	SCSA			4.5/2	30-180
MS3103J1024			Nein				4.5/2	30-180
MS3103J1221		Ja	Ja	U-Bolzen			4.5/2	30-180
MS3103J1222			Nein				4.5/2	30-180
MS3103J1223			Ja				4.5/2	30-180
MS3103J1224			Nein		4.5/2	30-180		
MS3103J1021		Nein	Ja	SCSA	4.5/2	30-180		
MS3103J1022			Nein		4.5/2	30-180		

¹ 2-10 VDC

² 2 0(2)-10 VDC, 10-0(2) VDC



Feuchtigkeitsklassen:

- ☐ 5 % bis 95 % rel. Luftfeuchtigkeit, nicht kondensierend

Hilfsschalter (zwei SPST):

- ☐ Feste Schalter bei 10 und 80 Grad
- ☐ 125 VAC, 1 A, res. Last

Montage: Selbstzentrierender Achsenadapter (Achsenkupplung):

- ☐ Runde Klappenachsen: 9 bis 16 mm (3/8 bis 5/8 Zoll)
- ☐ Quadratische Klappenachsen: 6 bis 13 mm (1/4 bis 1/2 Zoll); nominelles Anzugsmoment für die Schraube des selbstzentrierenden Achsenadapters ist 12 Nm (106 lb-in).

Befestigung: Nicht selbstzentrierender Achsenadapter:

- ☐ Runde Klappenachsen: 6 bis 9 mm (1/4 bis 3/4 Zoll)
- ☐ Quadratische Klappenachsen: 6 bis 13 mm (1/4 bis 1/2 Zoll)
- ☐ Das nominelle Anzugsmoment für die Schrauben des nicht selbstzentrierenden Achsenadapters ist 62 lb-in (7 Nm).

Mindestlänge der Klappenachse:

- ☐ 83 mm (3,25 Zoll) empfohlen für selbstzentrierenden Achsenadapter.
- ☐ 75 mm (3 Zoll) empfohlen für nicht selbstzentrierenden Achsenadapter.

Federrücksetzungszeit (bei Nennlast):

- ☐ < 25 Sekunden @ -30 bis 65 °C (-22 bis 150 °F)
- ☐ < 60 Sekunden @ -40 bis -30 °C (-40 bis -22 °F)

Kabelspezifikation:

- ☐ Netzkabel: Plenum, 0,914 m (3 ft) Länge ab Ende der Schalterabdeckung, 18 AWG
- ☐ Schalterkabel: Gerät, 0,914 m (3 ft) Länge ab Ende der Schalterabdeckung, 18 AWG

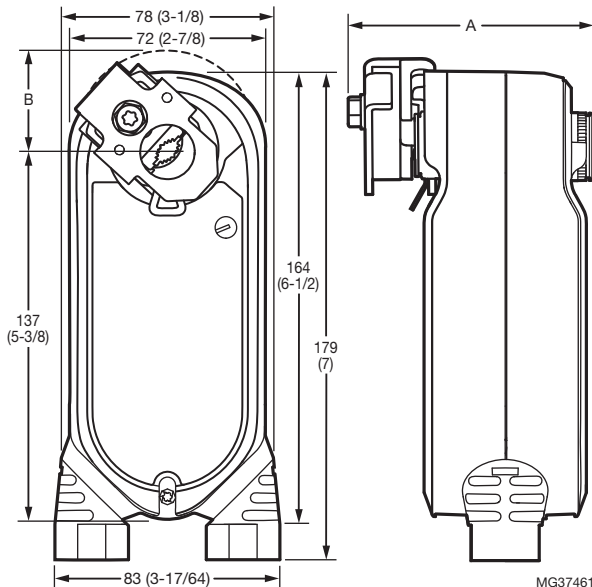


Abb. 1. Zeichnung des Aktuators mit Abmessungen in mm (Zoll). Angaben zu den A- und B-Abmessungen finden Sie in Tabelle 2.

Tabelle 2. Achsenadapter.

Typ des Achsenadapters	A	B
Selbstzentrierender Adapter	90 mm (3,54 Zoll)	39 mm (1,54 Zoll)
Nicht selbstzentrierender Adapter	79 mm (3,11 Zoll)	40 mm ¹ (1,57 Zoll)

¹ Für Halbachse.

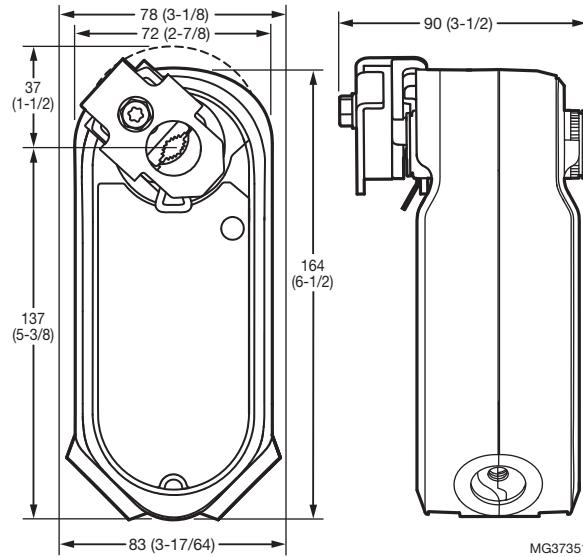


Abb. 2. Zeichnung des Aktuators ohne Durchführung mit Abmessungen in mm (Zoll). Angaben zu den A- und B-Abmessungen finden Sie in Tabelle 2.

Hub:

- ☐ 95 ° ±3 °, mechanisch begrenzt.

Zulassungen:

- ☐ UL60730
- ☐ IEC 60730-1 und Teil 2-14
- ☐ UL1097 für Doppelisolierung
- ☐ CE-Zertifizierung nach Niederspannungsrichtlinie 2014/35/EU
- ☐ CE EMC 2004/108/EG
- ☐ Schaltkabel sind nur UL-zertifiziert

Entsorgung von elektrischen und elektronischen Altgeräten (Waste Electrical and Electronic Equipment, WEEE):



Umweltgerechte Entsorgung des Geräts (gilt in den Ländern der Europäischen Union und in anderen Ländern mit Mülltrennsystemen). Dieses Gerät ist nach Ablauf der nutzbaren Betriebsdauer entsprechend den vor Ort gültigen Gesetzen, Richtlinien und Verfahren zu entsorgen.

Gehäuseschutzarten:

- ☐ IP54, abhängig vom Standort nach „Ermittlung der korrekten Montageausrichtung“ auf Seite 4.
- ☐ NEMA 2
- ☐ Schwerentflammbarkeit UL94-5VA
- ☐ UL2043, Ventilschaltung je nach Durchführungsinstallation

Eingangswiderstand:

- Mindestens 95 kOhm für modulierenden Analog-Eingang.

Feedbacksignal:

- 2 – 10 VDC, 1 mA Quelle, 0,5mA Senke

Mindestens 95 kOhm für modulierenden Analog-Eingang.

- Gleitend/modulierend/Sylk < 40 dB(A)
- Federrücksetzung: < 65 dB(A)

Zubehör und Bestellinformationen:

- Antriebshebelsatz, OS-Nr. DIAM-CRK-01
- Selbstzentrierender Achsenadapter
- Antirotationsklammer

TYPISCHE SPEZIFIKATION

Federrücksetzungsaktuatoren sollten direkt koppelbar sein, ohne einen Antriebshebel oder ein Verbindungsstück zu benötigen, und sollten an Blindwellen mit einem Durchmesser von bis zu 3/4 Zoll direkt montierbar sein. Der Aktuator wird mittels einer abnehmbaren Ausgabenabe mit selbstzentrierender Achsenkopplung mit der Achse verbunden. Diese Kopplung ermöglicht eine konzentrische Montage und umfasst einen integrierten und einstellbaren Reichweitestoppmechanismus.

Der Aktuator ermöglicht eine gleitende und proportionale Steuerung. Die proportionale Steuerung bezieht sich auf die direkte Annahme von Eingangssignalen mit 0-10 VDC, 2-10 VDC oder (bei Hinzufügung eines Widerstands mit 500 Ohm) mit 4-20 mA. Einige Modelle mit proportionaler und gleitender Steuerung stellen Feedbacksignale bereit. Gleitende Aktuatoreinheiten besitzen einen Steuerungsschalter für die Rotationsrichtung an der Abdeckung.

Alle Federrücksetzungsaktuatoren müssen einen ausfallsicheren Betrieb im Uhrzeigersinn oder entgegen dem Uhrzeigersinn mit einer kontinuierlich eingerasteten mechanischen Feder unterstützen. Diese Feder muss das Ventil oder den Aktuator innerhalb von 25 Sekunden nach Spannungsverlust auf eine ausfallsichere Position zurücksetzen.

Alle Aktuatoreinheiten sind für ein Minimum von 60.000 vollständigen Hubzyklen bei Nenndrehmoment und -temperatur, 60.000 Feder-rück-setzungs-zyklen und 1.500.000 Repositionierungen ausgelegt. Die Betriebszeit ist konstant und unabhängig von folgenden Faktoren: Last, Temperatur und Versorgungsspannung (innerhalb der Spezifikationen). Alle Aktuatoreinheiten sind nach UL60730 und cUL (CSA22.2) zugelassen, haben eine Garantie für fünf Jahre und werden nach den internationalen Standards für die Qualitätskontrolle der ISO 9001 hergestellt. Aktuatoreinheiten werden wie von Honeywell hergestellt bereitgestellt.

Sylk™-Bus:

Sylk ist ein zweiadriger, polaritätsunabhängiger Bus, der die Kommunikation zwischen einem Sylk-fähigen Aktuator und einem Sylk-fähigen Regler ermöglicht. Für die Verdrahtung kann der Sylk-fähige Aktuator bis zu 61 m vom Regler montiert werden. Bei Kabelleitungen mit einer Länge von mehr als 30,5 m wird ein paarig verdrehter Draht empfohlen. Die Verwendung Sylk-fähiger Aktuatoreinheiten spart Ein- und Ausgänge auf dem Regler und ist schneller und kostengünstiger zu installieren, da der Bus polaritätsunabhängig ist.

INSTALLATION

Beachten Sie beim Installieren dieses Produkts Folgendes:

1. Lesen Sie diese Anweisungen aufmerksam. Die fehlende Befolgung dieser Anweisungen kann das Produkt beschädigen oder eine gefährliche Situation herbeiführen.
2. Prüfen Sie die in den Anweisungen und auf dem Produkt angegebenen Einstufungen, um sicherzustellen, dass das Produkt für Ihre Anwendung geeignet ist.
3. Das Produkt muss von geschulten und erfahrenen Servicetechnikern installiert werden.
4. Prüfen Sie nach Abschluss der Installation den Betrieb des Produkts wie in diesen Anweisungen angegeben.



ACHTUNG

Gefahr von Stromschlägen oder Beschädigung von Geräten.

Niedrigspannung kann Stromschläge oder Kurzschlüsse verursachen.

Trennen Sie vor der Installation die Stromversorgung.

WICHTIG

Alle Kabel müssen geltenden Richtlinien, Verordnungen und Vorschriften entsprechen.

Standort

Diese Aktuatoreinheiten sind für die direkte Montage an externen Klappenantriebswellen vorgesehen. Die Achsenkopplung wird an der Antriebswelle befestigt. Das Aktuatorgehäuse besitzt Schlitze. Zusammen mit einer Antirotationsklammer dienen diese der Befestigung des Aktuators am Klappenrahmen oder an den Leitungen (siehe Abb. 10).

HINWEISE:

- Bei korrekter Montage ermöglichen diese Schlitze dem Aktuator, zu gleiten, ohne sich relativ zur Klappenachse zu drehen.
- Mithilfe anderer Klammern oder Verbindungsstücke kann der Aktuator an der Basis oder Tandem-montiert werden.



ACHTUNG

Gefahr von Motorschäden.

Korrosive Dämpfe und säurehaltige Abgase können Metall- und Kunststoffteile beschädigen.

Installieren Sie den Motor in Bereichen, die keinen säurehaltigen Abgasen und anderen nachteiligen Dämpfen ausgesetzt sind.

! ACHTUNG

Gefahr von Geräteschäden.

Eine zu enge Befestigung des Aktuators am Klappengehäuse kann den Aktuator beschädigen.



Befestigen Sie den Aktuator so, dass er entlang seiner vertikalen Achse gleiten kann.

Vorbereitung

Ermitteln Sie vor der Montage des Aktuators an der Klappenachse Folgendes:

- Öffnungsrichtung der Klappe/des Ventils, um die korrekte Federrücksetzungsrotation festzulegen. Durch Wenden des Geräts kann der Aktuator so montiert werden, dass er eine Federrücksetzung im oder entgegen dem Uhrzeigersinn unterstützt.
- Abmessungen der Klappenachse (siehe Abschnitt zu den Spezifikationen).

Ermittlung der korrekten Montageausrichtung

Die Aktuatoren sind dafür ausgelegt, Klappen zu öffnen, indem die Klappenachse entweder  im oder entgegen dem Uhrzeigersinn getrieben wird  (siehe Abb. 3).

HINWEISE:

- Aktuatoren werden in vollständig geschlossener Stellung (Federrücksetzung) ausgeliefert.
- Die Kerbe am Adapter weist auf eine Stelle in der Beschriftung, die die Rotationsrichtung der Nabe anzeigt.

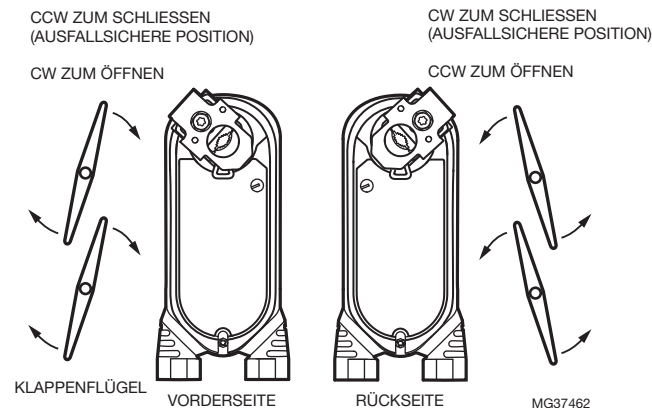


Abb. 3. Federrücksetzungs-Montageausrichtung bei DCA.

Abmessungen der Achsenlänge der Klappe/des Ventils

Wenn die Länge der Achse weniger als 825 mm (3,25 Zoll) (SCSA), muss die Achsenkupplung zwischen der Klappe/dem Ventil und dem Aktuatorgehäuse angebracht werden. Wenn die Länge der Achse mehr als 762 mm (3 Zoll) beträgt, kann die Achsenkupplung an einer der beiden Seiten des Aktuatorgehäuses angebracht werden.

Wenn die Kupplung von einer Seite des Aktuators zur anderen Seite verlegt werden muss, kehren Sie die Federrücksetzungsrichtung um und wenden den Aktuator. Befolgen Sie diese Anweisungen (siehe Abb. 4):

1. Entfernen Sie die Befestigungsklammer von der Achsenkupplung und legen Sie sie zur späteren Verwendung beiseite.
2. Entfernen Sie die Achsenkupplung von der Seite des Aktuators.
3. Bringen Sie die Achsenkupplung an der entgegengesetzten Seite des Aktuators unter Ausrichtung entsprechend der Hubbeschriftung an.
4. Bringen Sie die Befestigungsklammer unter Verwendung der Kerbe an der Kupplung wieder an der Achsenkupplung an.

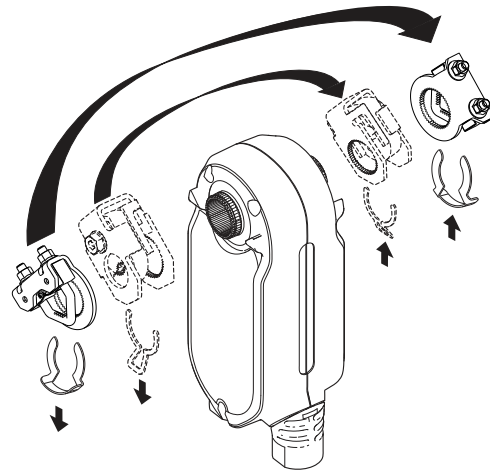


Abb. 4. Montage der Achsenkupplung an der entgegengesetzten Seite des Aktuators.

Auswahl des Steuerungssignals für den Aktuator (nur für MS7503-Modelle)

Die Auswahl erfolgt anhand einer Wahlscheibe, die an der Vorder- und Rückseite des Aktuators angezeigt wird (siehe Abb. 5).

Um das Steuerungssignal auszuwählen, drehen Sie einfach die Modusauswahlscheibe zum gewünschten Modus (wie auf dem Geräteetikett angegeben), ohne die Bereichsanzeigen zu überschreiten.

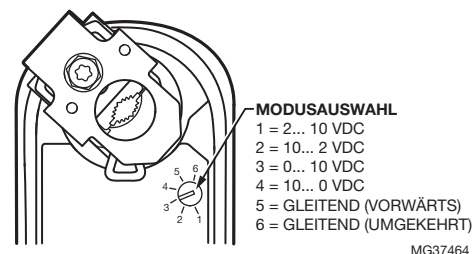


Abb. 5. Wahlscheiben für Steuerungssignal.

Nur für MS31XX-Modelle

Diese Aktuatoren sind mit Sylk-Adressauswahl-Potentiometer erhältlich.

HINWEISE: Es gibt fünf effektive Sylk-Adressen, aus denen Sie auswählen können. Um z. B. Sylk-Adresse 11 auszuwählen, verschieben Sie den Bereichs-Potentiometer auf 1.

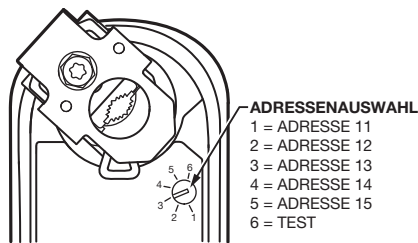


Abb. 6. Adressenauswahlscheibe.

Nicht standardmäßiger Hub

Reduzierung der mechanischen Hubbegrenzung

Im Fall von Anwendungen, die einen Hub von weniger als 95 Grad erfordern, kann die Einstellung leicht geändert werden. Bei Änderung der Rotationsmontage der Achsenkupplung beträgt der Hub des Aktuators weniger als die vollen 95 Grad.

Der Hub kann in Schritten von 7,5 Grad eingestellt werden. Nach der Einstellung treibt der Aktuator, bis die Achsenkupplung den mechanischen Stopp (Teil des Gehäuses) erreicht. Der Stopp führt dazu, dass der Motor nicht mehr treibt und die Achskupplung ebenfalls nicht weiter getrieben wird. Wenn der Aktuator zurückgesetzt wird, stoppt er an der ausfallsicheren Position. Eine mechanische Begrenzung der Mindestposition ist untersagt. Wenn nötig, können Sie eine elektronische oder Software-basierte Begrenzung verwenden.

Verfahren Sie wie folgt, um den Hubbereich zu begrenzen:

1. Entfernen Sie die Befestigungsklammer von der Achsenkupplung und legen Sie sie zur späteren Verwendung beiseite.
2. Entfernen Sie die Achsenkupplung vom Aktuator.
3. Drehen Sie die Achsenkupplung unter Ausrichtung entsprechend der Hubbeschriftung in die gewünschte Position. Siehe Abb. 7.

HINWEIS: Der Befestigungsort der Achsenkupplung legt den Hubbereich fest.

BEISPIEL: Wenn Sie die Achsenkupplung auf eine ungefähre ausfallsichere Position von 30 Grad festlegen (wie am Gehäuse angegeben), wird der Hub auf 60 Grad begrenzt. (Siehe Abb. 7).

4. Installieren Sie die Achsenkupplung an dieser Stelle.
5. Bringen Sie die Befestigungsklammer unter Verwendung der Kerbe an der Kupplung wieder an der Achsenkupplung an.

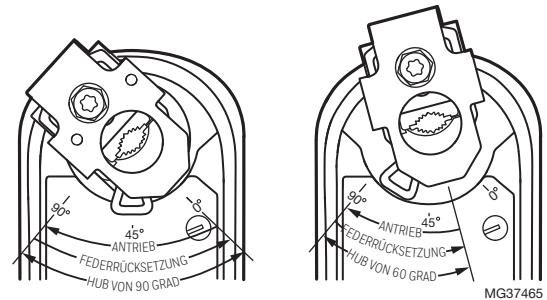


Abb. 7. Hubreduzierung.

Montage



ACHTUNG

Gefahr von Gerätefehlfunktionen.

Ein falsches Anzugsmoment bei der Befestigung der Achsenkupplung kann zu Gerätefehlfunktionen führen.

Befestigen Sie die Achsenkupplung mit dem korrekten Anzugsmoment, um ein Verrutschen der Klappenachse zu vermeiden.



ACHTUNG

Gefahr von Aktuatorschäden.

Die Verwendung des Aktuators als Achsenkugellager führt zu Geräteschäden.

Verwenden Sie den Aktuator ausschließlich für die Bereitstellung des Drehmoments. Vermeiden Sie seitliche Belastungen der Kupplungslager des Aktuators.



ACHTUNG

Gefahr von Geräteschäden.

Kann den Motor so beschädigen, dass Reparaturen nicht mehr möglich sind.

Drehen Sie die Motorachse niemals von Hand oder mit einem Schraubenschlüssel.

Ein erzwungenes Drehen der Motorachse kann das Zahnradgetriebe beschädigen.

Verfahren Sie wie folgt, um den Aktuator an einer externen Klappenachse zu montieren:

1. Halten Sie den Aktuator und die Befestigungsklammer über die Klappenachse. Siehe Abb. 10.
2. Markieren Sie die Schraubenlöcher am Gehäuse.
3. Entfernen Sie den Aktuator und die Befestigungsklammer.
4. Bohren oder stanzen Sie Löcher für Befestigungsschrauben (oder verwenden Sie selbstziehende Blechschrauben Nr. 10).
5. Drehen Sie die Klappenflügel in die gewünschte normale (geschlossene) Position.
6. Platzieren Sie den Aktuator und die Befestigungsklammer an der richtigen Position und befestigen Sie die Klammer mit Blechschrauben am Klappengehäuse.

7. Befestigen Sie die Achsenkupplung mittels eines 10-mm-Schraubenschlüssels bei einem Anzugsmoment von 12 Nm (106 lb-in) sicher an der Klappenachse.

HINWEIS: Siehe Abb. 8 zur korrekten Montage an einer quadratischen Klappenachse.

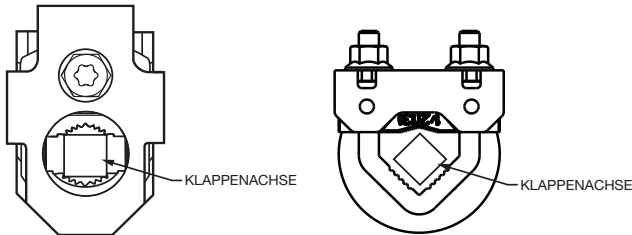


Abb. 8. Korrekte Montage an einer quadratischen Klappenachse.

Um die Schutzart IP54 zu erreichen, muss der Aktuator entsprechend Abb. 9 montiert werden. IP54 gilt für alle Montagepositionen außer der Position mit Kabelaustritt oben (mit Kreuz markiert) in Abb. 9.

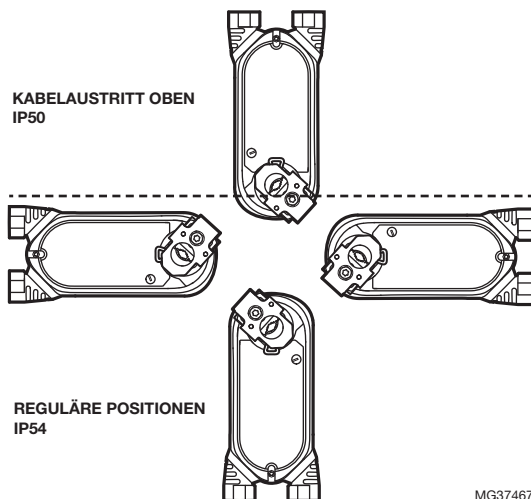
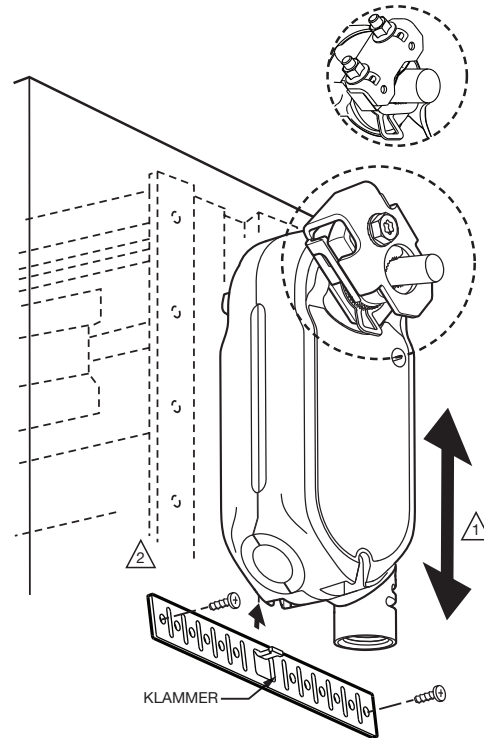


Abb. 9. Montage des Aktuators zur Herstellung der IP-Compliance.

Detail mit U-Bolzen



- 1 STELLEN SIE SICHER, DASS DIE MONTAGE EINE DREHUNG DES AKTUATORS VERHINDERT UND DEM AKTUATOR EIN GLEITEN ENTLANG DER ANGEGEBENEN AXHSE ERMÖGLICHT. WENN DER AKTUATOR ZU ENG BEFESTIGT WIRD, KANN DER AKTUATOR BESCHÄDIGT ODER DAS DREHMOMENT REDUZIERT WERDEN.
- 2 DIESE KLAMMER KANN GEBOGEN WERDEN, UM DIE MONTAGE DES AKTUATORS PARALLEL ZUR MONTAGEFLÄCHE ZU ERMÖGLICHEN.

Abb. 10. Montage des Aktuators am Klappengehäuse.

VERKABELUNG



ACHTUNG

Gefahr von Stromschlägen oder Beschädigung von Geräten.

Trennen Sie vor der Installation alle Stromversorgungsleitungen.

Bei Motoren mit Hilfsschaltern sind möglicherweise mehrere Trennungen erforderlich.

WICHTIG

Alle Kabel müssen geltenden Richtlinien, Verordnungen und Vorschriften für Elektroinstallationen entsprechen.

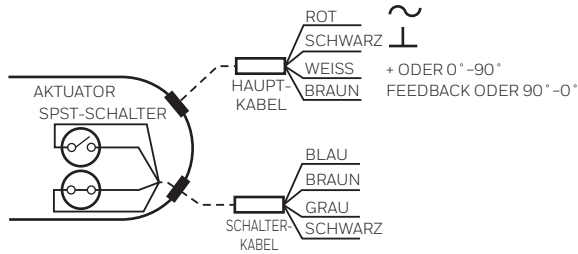


Abb. 11. Details der Kabelinstallation.

Schalterbedienung

Grau/schwarz = Schließer. Geschlossen im 80-Grad-Bereich zu vollständig geöffnet.

Blau/braun = Öffner. Offen im 10-Grad-Bereich zu vollständig geöffnet.

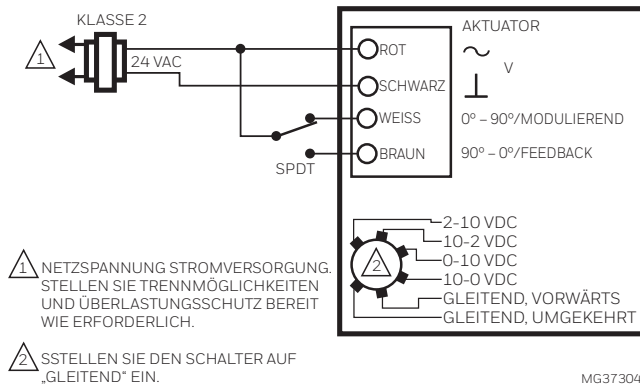
Tabelle 3. Details der Verkabelung.

Kabel	Gleitend	Modulierend	Sylk
ROT ~	Strom	Strom	Strom
SCHWARZ ⊥	Gemeinsam	Gemeinsam	gemeinsam
WEISS ²	0° - 90°	Steuerungssignal	S-Bus
BRAUN →	90° - 0°	feedback ¹	S-Bus

¹ Nicht für alle modulierenden Modelle verfügbar, siehe Tabelle 1.

² Braun für MS3103.

Gleitende und modulierende Modelle

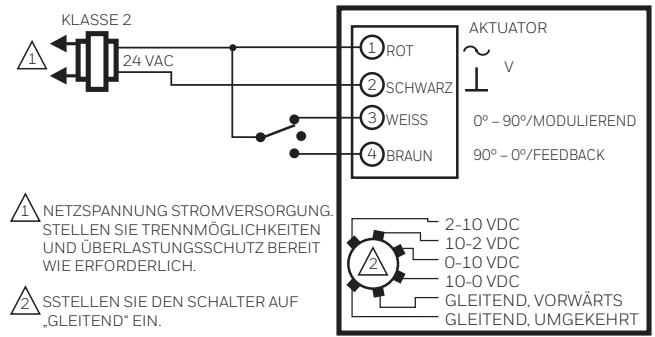


⚠ NETZSPANNUNG STROMVERSORGUNG. STELLEN SIE TRENNMÖGLICHKEITEN UND ÜBERLASTUNGSSCHUTZ BEREIT WIE ERFORDERLICH.

⚠ S STELLEN SIE DEN SCHALTER AUF „GLEITEND“ EIN.

MG37304

Abb. 12. Verkabelung für SPDT, Steuerung ein/aus, MS75.

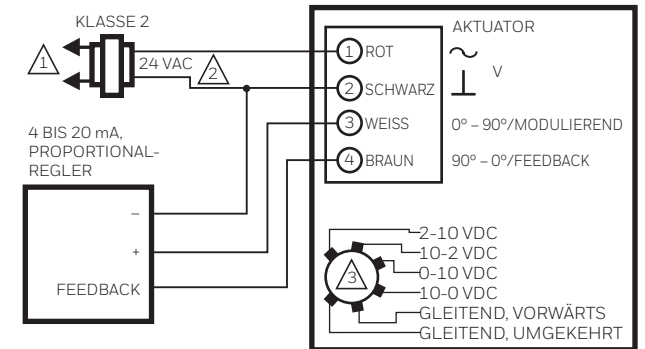


⚠ NETZSPANNUNG STROMVERSORGUNG. STELLEN SIE TRENNMÖGLICHKEITEN UND ÜBERLASTUNGSSCHUTZ BEREIT WIE ERFORDERLICH.

⚠ S STELLEN SIE DEN SCHALTER AUF „GLEITEND“ EIN.

MG37319

Abb. 13. Verkabelung für gleitende Steuerung, MS75.



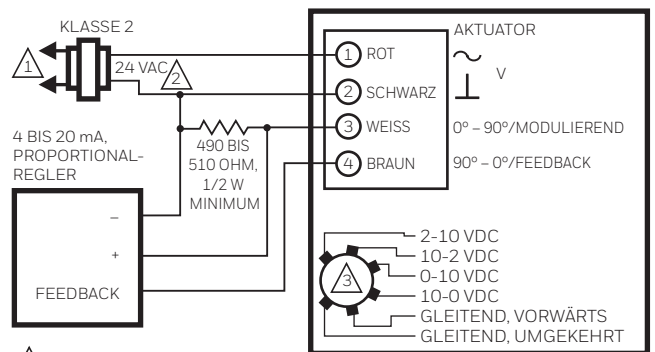
⚠ NETZSPANNUNG STROMVERSORGUNG. STELLEN SIE TRENNMÖGLICHKEITEN UND ÜBERLASTUNGSSCHUTZ BEREIT WIE ERFORDERLICH.

⚠ S STROMVERSORGUNG MIT 24 VDC MÖGLICH.

⚠ S STELLEN SIE DEN SCHALTER AUF „MODULIEREND“ EIN, WENN VERFÜGBAR.

MG37320

Abb. 14. Verkabelung für modulierende (0/2-10 VDC) proportionale Steuerung, MS75 (gezeigt) und MS71.



⚠ NETZSPANNUNG STROMVERSORGUNG. STELLEN SIE TRENNMÖGLICHKEITEN UND ÜBERLASTUNGSSCHUTZ BEREIT WIE ERFORDERLICH.

⚠ S STROMVERSORGUNG MIT 24 VDC MÖGLICH.

⚠ S STELLEN SIE DEN SCHALTER AUF „MODULIEREND“ EIN, WENN VERFÜGBAR.

MG37321

Abb. 15. Verkabelung für Proportionalregler mit 4 bis 20 mA, MS75 (gezeigt) und MS71.

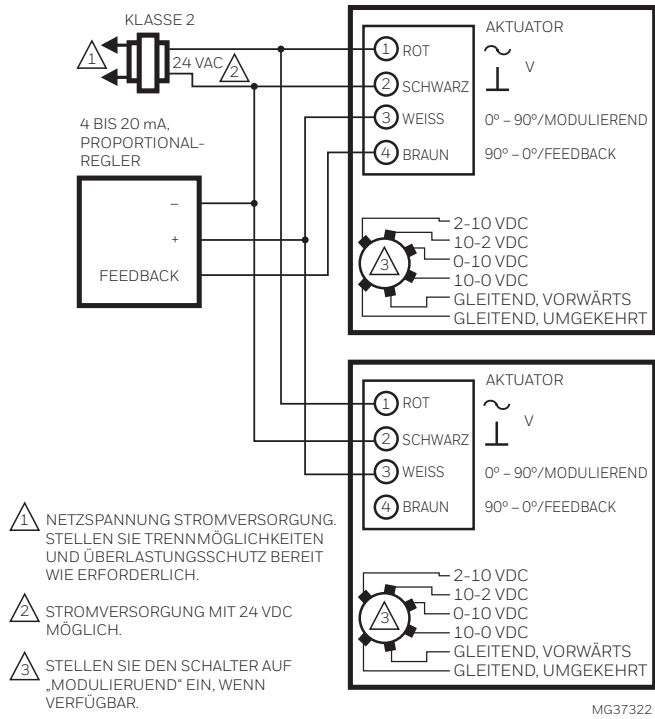


Abb. 16. Verkabelung für modulierende (0/2-10 VDC) proportionale Steuerung für mehrere Aktuatoren, MS75 (gezeigt) und MS71.

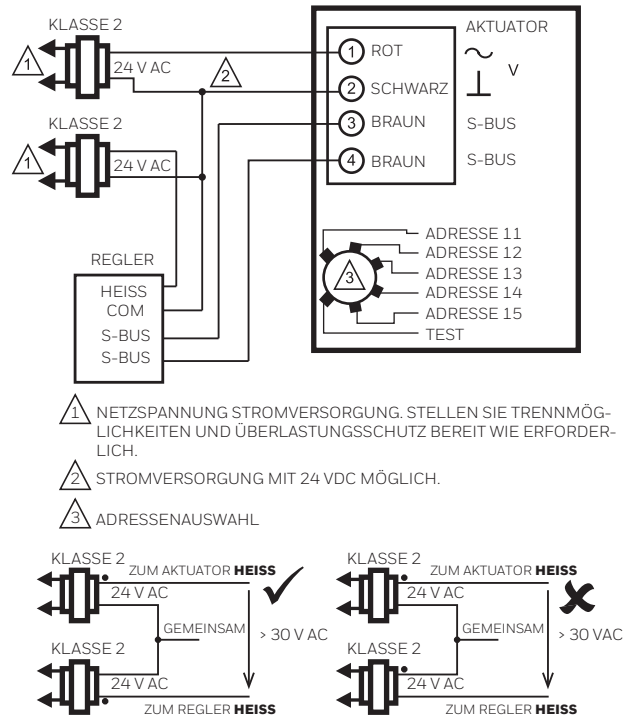


Abb. 18. Verdrahtung für Sylk-Bus-Regler mit getrennten Transformatoren, MS3103.

BETRIEB

Der Aktuator ist für die Verwendung in Belüftungs- und Klimaanlageinstallationen zum Betrieb von Ventilen, Klappen, Belüftungsklappen und Lüftungsschlitzen vorgesehen. (Informationen zu den Daten finden Sie im Abschnitt zu den Spezifikationen.) Wenn der Aktuator ausfällt, wird der Aktuator mittels einer Feder auf die ausfallsichere Position zurückgesetzt.

Wenn ein Proportionalregler verwendet wird und der Aktuator auf die Position (O)2 bis 10 festgelegt ist, treibt der Aktuator bis zur vollständig geöffneten Position, wenn das Eingangssignal erhöht wird. Der Aktuator treibt zur vollständig geschlossenen Position, wenn das Eingangssignal gesenkt wird. Der Aktuator wird angehalten, wenn das Eingangssignal den gewünschten Proportionalsteuerungspunkt erreicht. Wenn der Aktuator auf die Position 10 bis 2(O) festgelegt ist, gilt das Umgekehrte.

WICHTIG

Der Aktuator reagiert auf sofortige Kontaktschließungen von DDC-Reglern. Achten Sie darauf, keine kurzen Zyklen für den Aktuator festzulegen. Eine instabile Klappensteuerung kann zu einem vorzeitigen Ausfall des Aktuators führen.

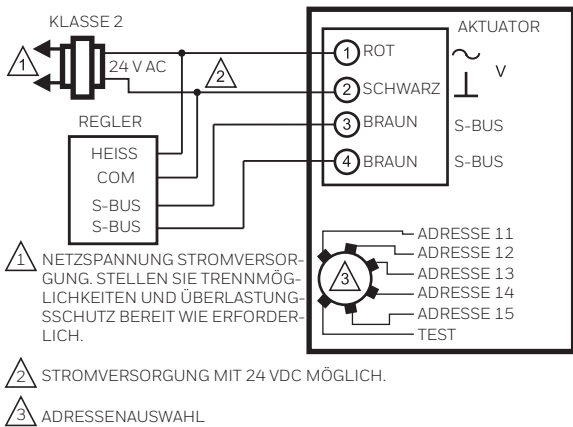


Abb. 17. Verdrahtung für Sylk-Bus-Regler, MS3103.

Modus für schnelle Inbetriebnahme (nur modulierender Steuerungsmodus und Sylk-Kommunikation)

Wenn am Modulationseingang oder am Sylk-kommunizierenden Aktuator das Signal 24 V AC oder 24 V DC angewendet wird, wird die Position 6 (Test) ausgewählt. Der Aktuator fährt mit einer höheren Geschwindigkeit (30 s) in die vollständig geöffnete Position. Wenn das Signal getrennt wird, treibt der Aktuator zur vollständig geschlossenen Position entsprechend der normalen Zeiteinstellung.



ACHTUNG

Verwenden Sie den Schnelltestmodus nicht für den Dauerbetrieb.

Die Nutzungszeit wird reduziert, wenn dieser Modus dauernd verwendet wird. Dieser Modus ist nur für die anfängliche Inbetriebnahme/das anfängliche Testen des Systems nach der Installation vorgesehen. Für diesen Modus wird kein Energieverbrauch angegeben.

Hilfsschalter

Einige Module enthalten Hilfsschalter. Details zur Verkabelung finden Sie in Abb. 11.

Überschreiben des Aktuators

So überschreiben Sie das Steuerungssignal (um den Schutz oder ähnliche Anwendungen einzufrieren):

- Überschreibung zur vollständig geöffneten Position (schnelle Inbetriebnahme, Antriebmodus niedriger als 30 Sekunden):
 - Trennen Sie das Eingangssignal (von Anschlussstelle 3).
 - Wenden Sie auf Anschlussstelle 3 24 VAC an.
 - Siehe Abb. 19.
- Rückkehr zur vollständig geschlossenen Position:
 - Trennen Sie das Eingangssignal (von Anschlussstelle 3).
 - Siehe Abb. 20.

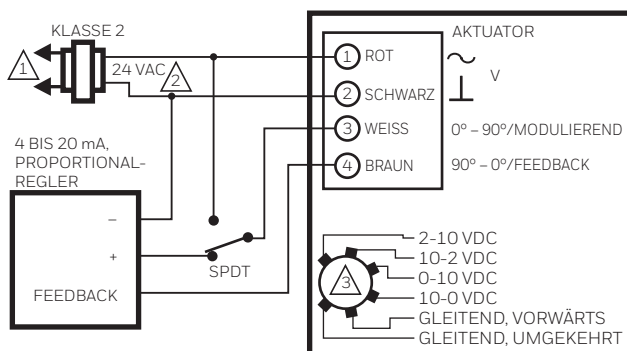


Abb. 19. Überschreibung zur offenen Position.

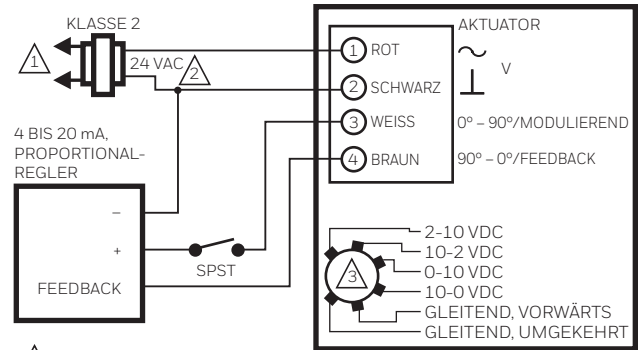



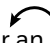
Abb. 20. Rückkehr zur geschlossenen Position.

CHECKOUT

Modulierender/gleitender Betrieb

- Befestigen Sie den Aktuator entsprechend der gewünschten Anwendung (Drehung zur Öffnung der Klappe entweder im oder entgegen dem Uhrzeigersinn .
- Schließen Sie den Aktuator an die Stromversorgung und die gemeinsame Leitung an. (Siehe Abb. 11 und Tabelle 3.)
- Legen Sie mittels der Moduswahlscheibe das gewünschte Steuerungssignal fest. (Siehe Abb. 5.)
- Wenden Sie das Steuerungssignal für die vollständig geöffnete oder vollständig geschlossene Position aus. (Siehe Abb. 11 und Tabelle 3.)
 - (0)2-10 VDC: Wenden Sie ein 10-VDC-Signal auf die Steuerungsleitung an (WEISS).
 - 10-(0)2 VDC: Wenden Sie ein (0)2-VDC-Signal auf die Steuerungsleitung an (WEISS).
 - (0)4-20 mA: Wenden Sie ein 20-mA-Signal auf die Steuerungsleitung an (WEISS).
 - 20-(0)4 mA: Wenden Sie ein (0)4-mA-Signal auf die Steuerungsleitung an (WEISS).
 - Gleitend: Wenden Sie 24 VAC auf die Leitung mit 0° bis 90° (WEISS) oder 90° bis 0° (BRAUN) an.
- Der Aktuator treibt bis zur vollständig geöffneten oder vollständig geschlossenen Position.
- Wenden Sie das Steuerungssignal für die Position 0 % des Aktuators an. (Siehe Abb. 11 und Tabelle 3.)
 - (0)2-10 VDC: Wenden Sie ein (0)2-VDC-Signal auf die Steuerungsleitung an (WEISS).
 - 10-(0)2 VDC: Wenden Sie ein 10-VDC-Signal auf die Steuerungsleitung an (WEISS).
 - (0)4-20 mA: Wenden Sie ein (0)4-mA-Signal auf die Steuerungsleitung an (WEISS).
 - 20-(0)4 mA: Wenden Sie ein 20-mA-Signal auf die Steuerungsleitung an (WEISS).
 - Gleitend: Wenden Sie 24 VAC auf die Leitung mit 0° bis 90° (WEISS) oder 90° bis 0° (BRAUN) an.
- Der Aktuator treibt bis zur vollständig geöffneten oder vollständig geschlossenen Position.



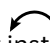
Federrücksetzungsbetrieb

1. Befestigen Sie den Aktuator entsprechend der gewünschten Anwendung (Drehung zur Öffnung der Klappe oder des Ventils entweder  im oder entgegen dem Uhrzeigersinn .
2. Schließen Sie den Aktuator an die Stromversorgung und die gemeinsame Leitung an. (Siehe Abb. 11 und Tabelle 3.)
3. Legen Sie mittels der Moduswahlscheibe das gewünschte Steuerungssignal fest. (Siehe Abb. 5.)
4. Wenden Sie das Steuerungssignal für die Position 50 % des Aktuators an.
 - a. VDC-Eingangssignal: Wenden Sie ein Signal mit 5 bis 6 VDC auf die Steuerungsleitung an (WEISS). Siehe Abb. 14.
 - b. mA-Eingangssignal: Wenden Sie ein Signal mit 10 bis 12 mA auf die Steuerungsleitung an (WEISS). Siehe Abb. 14.
 - c. Gleitend: Wenden Sie 24 VAC auf die Leitung mit 0° bis 90° (3) oder 90° bis 0° (4) an, bis das Gerät 50 % erreicht.
5. Lassen Sie den Aktuator bis zur Position mit 50 % treiben.
6. Trennen Sie die Stromversorgungsleitung (ROT).
7. Die Aktuatorfeder kehrt zur Position mit 0 % zurück.
8. Schließen Sie die Stromversorgungsleitung (ROT) wieder an. Der Aktuator treibt zur Position mit 50 % zurück.


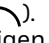
Feedbackbetrieb

1. Schließen Sie ein auf VDC eingestelltes Multimeter an die gemeinsame Leitung (SCHWARZ) und die Feedbackleitung (BRAUN) an.
2. Wenden Sie dasselbe Signal wie in Schritt 4 des modulierenden Betriebs an.
3. Der Multimeterwert wird erhöht, um dem Eingangssignal zu entsprechen, während der Aktuator zur vollständig geöffneten oder geschlossenen Position treibt.
4. Wenden Sie dasselbe Signal wie in Schritt 6 des modulierenden Betriebs an.
5. Der Multimeterwert wird gesenkt, um dem Eingangssignal zu entsprechen, während der Aktuator zur Position mit 0 % treibt.

Direkter Checkout

1. Befestigen Sie den Aktuator entsprechend der gewünschten Anwendung (Drehung zur Öffnung der Klappe oder des Ventils entweder  im oder entgegen dem Uhrzeigersinn .
2. Überprüfen Sie die Klappenposition und stellen Sie sicher, dass die entsprechenden Anschlüsse über 24 VDC/VAC verfügen. (Siehe Abb. 11.)
3. Wenden Sie auf die entsprechenden Anschlüsse das Steuerungssignal an, um die Klappe zur entgegengesetzten Position zu bewegen. Der Aktuator sollte die Klappe oder das Ventil treiben.
4. Wenn der Aktuator nicht betrieben wird, überprüfen Sie, ob der Aktuator korrekt für eine Drehung im entgegen dem Uhrzeigersinn  installiert wurde.
5. Wenn der Aktuator korrekt installiert wurde, jedoch nicht betrieben wird, ersetzen Sie den Aktuator.

Sylk-aktivierter (S-Bus) Checkout

1. Befestigen Sie den Aktuator entsprechend der gewünschten Anwendung (Drehung zur Öffnung der Klappe entweder im Uhrzeigersinn  oder entgegen dem Uhrzeigersinn .
2. Verbinden Sie den Sylk-fähigen (S-Bus) Regler mit den Klemmen 3 und 4.
3. Verbinden Sie die Stromversorgung mit den Klemmen 1 und 2.
4. Wählen Sie die richtige Adresse auf der Auswahlscheibe aus, die der gewünschten Adresse entspricht (siehe Tabelle neben der Auswahlscheibe).
5. Wenden Sie den S-Bus-Befehl über den angeschlossenen Sylk-fähigen Regler auf die Aktuatorposition an.
6. Der lokale Testmodus (Modus für schnelle Inbetriebnahme) kann durch Auswahl von Position 6 in der Adressenauswahlscheibe ausgewählt werden. Vergessen Sie nicht, die Auswahlscheibe nach Abschluss des Tests auf die entsprechenden Einstellungen für Ihre bevorzugte Adresse zurückzusetzen.

NFC-Beschreibung

- Das Gerät entspricht ISO/IEC 14443A.
- NFC kann für die Kommunikation zwischen dem Aktuator und einem NFC-Gerät verwendet werden.
- Der Standortbereich für den NFC Access Point wird in Abb. 21 gezeigt.
- Wenn sich der NFC Access Point gegenüber der Klappe befindet, ist ein begrenzter Zugriff von der Seite mit den Stromversorgungsleitungen möglich, abhängig von der Installation und den NFC-Gerätefunktionen.

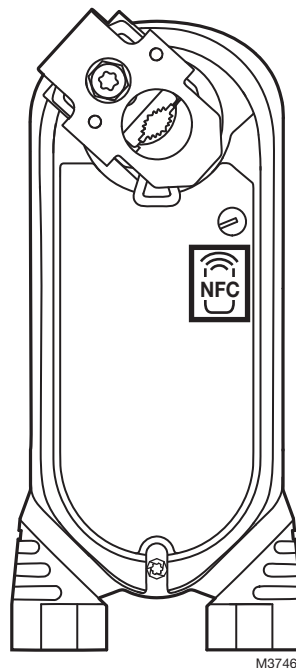


Abb. 21. Standortbereich für den NFC Access Point.

Sicherheitshinweise

Maßnahmen zur physischen Sicherung wie abgeschlossene Schränke, Geräteräume oder andere Orte, an denen der physische Zugang eingeschränkt ist, werden empfohlen, um Manipulationen am Gerät sowie nicht autorisierte Änderungen der Parameter zu verhindern, die über NFC- und Sylk-Verbindungen zugänglich sind. Die Verbindung mit dem Gerät über NFC wird durch eine PIN

geschützt. Jedes Gerät besitzt eine werksseitig voreingestellte PIN. Die werksseitig voreingestellte PIN ist 2586 und für alle Geräte dieser Produktfamilie dieselbe. Es wird empfohlen, die voreingestellte PIN in eine benutzerspezifische PIN zu ändern. Die benutzerspezifische PIN kann jederzeit mittels der werksseitig voreingestellten PIN zurückgesetzt werden.

TABELLE DER GEFAHRSTOFFE – CHINA

部件名称	有害物质 Gefahrstoffe					
	铅 (Pb)	汞 (Hg)	镉 (Cd)	六价铬 (Cr6+)	多溴联苯 (PBB)	多溴二苯醚 (PBDE)
印刷线路板 PCB	X	O	O	O	O	O
齿轮 Zahnrad	X	O	O	O	O	O
接线端子 Schraubklemmen	X	O	O	O	O	O
电机 Elektromotor	X	O	O	O	O	O
弹簧 Feder	X	O	O	O	O	O

本表格依据 SJ/T 11364 的规定编制。

O: 表示该有害物质在该部件所有均质材料中的含量均在 GB/T 26572 规定的限量要求以下。

X: 表示该有害物质至少在该部件的某一均质材料中的含量超出 GB/T 26572 规定的限量要求。

" 未列入表内的其他部件，皆不含任何超出限量要求的限制使用物质。

Alle anderen Komponenten, die nicht in der Tabelle aufgeführt sind, enthalten keine eingeschränkten Substanzen über dem Grenzwert.

Wenn Sie diese Honeywell-Unterlagen benutzen, erklären Sie sich damit einverstanden, dass Honeywell im Fall von Schäden in Folge Ihrer Verwendung oder Änderungen der Unterlagen keine Haftung übernimmt. Sie werden Honeywell, seine Partner- und Tochtergesellschaften im Fall von Haftungsansprüchen, Kosten oder Schadenersatzansprüchen einschließlich Anwaltskosten bedingt durch Ihre Änderungen der Unterlagen schadlos halten.

Honeywell Building Technologies

In den USA:
715 Peachtree Street NE
Atlanta, GA 30308
customer.honeywell.com

Honeywell

® In den USA eingetragene Marke
© 2020 Honeywell International Inc.
31-00141M-06 M.S. Rev. 03-20
Gedruckt in den USA



Напрямую подключаемые исполнительные механизмы с пружинным возвратом серии 3 Нм MS7103, MS7503, MS3103



ИНСТРУКЦИИ ПО УСТАНОВКЕ

Напрямую подключаемые исполнительные механизмы с пружинным возвратом (DCA) MS7103, MS7503 и MS3103 используются в системах отопления, вентиляции и кондиционирования воздуха (ОВКВ). Они могут приводить в действие различные четверть-оборотные конечные элементы управления, для которых требуются безотказные механизмы с пружинным возвратом.

Возможные области применения:

- Заслонки для регулировки объема, устанавливаемые непосредственно на приводной вал или дистанционно (с использованием вспомогательного оборудования).
- Поворотные клапаны на четверть оборота, такие как шаровые клапаны, устанавливаемые непосредственно на приводной вал.
- Все модели поставляются с кабелем.
- Режим быстрой проверки.

ТЕХНИЧЕСКИЕ ХАРАКТЕРИСТИКИ

Модели

- См. табл. 1.

Вес устройства

- 0,78 кг

Температура окружающей среды

- От -40 до 65 °C

Температура при транспортировке и хранении

- От -40 до 65 °C

Табл. 1. Модели.

Номер модели	Описание ввода/вывода сигналов управления	Однопол. вспом. переключатели	Кабелепровод 1/2" 360°	Переходник вала	Крутящий момент	Напряжение питания	Привод / удержание (ВА)	Привод (сек.)
MS7103A1021	Модулирующий ¹	Нет	Да	SCSA	3 Н·м	Трансформатор класса 2, 24 В пер. тока +/-20 % при 50/60 Гц, 24 В пост. тока +20 % / -10 %	4/2	90
MS7103A2021	Модулирующий ¹ , обратная связь	Нет					4/2	90
MS7103A2221		Да					4/2	90
MS7503A2021	Модулирующий ² , плавающий, 2-поз., обратная связь	Нет					4/2	90
MS7503A2221		Да					4/2	90
MS7503A2023		Нет					4/2	90
MS7503A2223		Да	4/2	90				
MS7103A2024	Модулирующий ¹ , обратная связь	Нет	Нет	U-образный болт			4/2	90
MS7103A2224		Да					4/2	90
MS3103J1023	Шина Sylk	Нет	Да	SCSA			4.5/2	30-180
MS3103J1024		Нет	Нет				4.5/2	30-180
MS3103J1221		Да	Да				4.5/2	30-180
MS3103J1222			Нет		4.5/2	30-180		
MS3103J1223			Да	4.5/2	30-180			
MS3103J1224			Нет	4.5/2	30-180			
MS3103J1021		Нет	Да	SCSA	4.5/2	30-180		
MS3103J1022			Нет		4.5/2	30-180		

¹ 2-10 В пост. тока

² 0(2)-10 В пост. тока, 10-0(2) В пост. тока



Значения влажности

- Отн. влажность 5–95 %, без конденсации

Вспомогательные переключатели (два однополюсных)

- Фиксированные переключатели на 10 и 80 градусов
- 125 В перем. тока, 1 А, активная нагрузка

Монтаж: самоцентрирующийся переходник вала (муфта вала)

- Круглые валы заслонок: от 3/8 до 5/8 дюйма (от 9 до 16 мм)
- Квадратные валы заслонок: от 1/4 до 1/2 дюйма (от 6 до 13 мм)
- Номинальный момент затяжки винта самоцентрирующегося переходника вала составляет 12 Н·м.

Монтаж: не самоцентрирующийся переходник вала

- Круглые валы заслонок: от 1/4 до 3/4 дюйма (от 6 до 19 мм)
- Квадратные валы заслонок: от 1/4 до 1/2 дюйма (от 6 до 13 мм)
- Номинальный момент затяжки винтов не самоцентрирующегося переходника вала составляет 7 Нм

Минимальная длина вала заслонки

- Для самоцентрирующегося переходника вала рекомендуется длина 83 мм
- Для не самоцентрирующегося переходника вала рекомендуется длина 75 мм

Время возврата пружины (при номинальной нагрузке)

- < 25 сек. при температуре от -30 до 65 °С
- < 60 сек. при температуре от -40 до -30 °С

Технические характеристики кабелей

- Силовой кабель: кабель для прокладки в системах воздушной вентиляции, длина 0,914 м от края крышки доступа, 18 AWG
- Кабель переключателя: кабель для прокладки в бытовых приборах, длина 0,914 м от края крышки доступа, 18 AWG

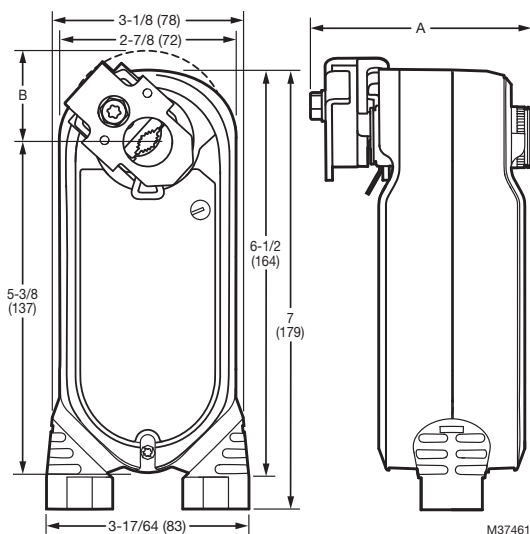


Рис. 1. Габаритный чертеж исполнительного механизма в дюймах (мм). Размеры А и В см. в табл. 2.

Табл. 2. Переходники вала.

Тип переходника вала	А	В
Самоцентрирующийся переходник	3,54 дюйма (90 мм)	1,54 дюйма (39 мм)
Не самоцентрирующийся переходник	3,11 дюйма (79 мм)	1,57 дюйма ¹ (40 мм)

¹ Для вала 12,7 мм.

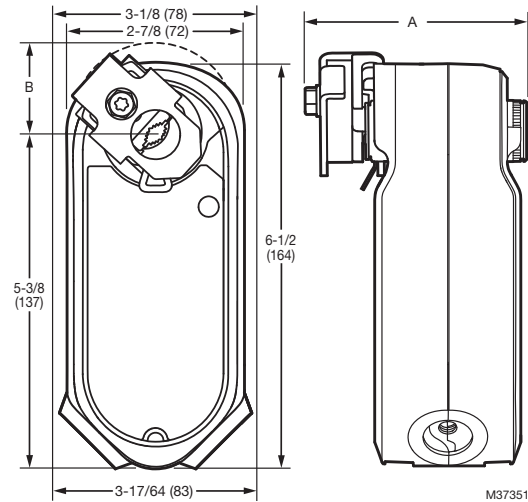


Рис. 2. Габаритный чертеж исполнительного механизма без кабелепровода в дюймах (мм). Размеры А и В см. в табл. 2.

Ход

- 95 ° ± 3 °, механически ограничен.

Регламентирующие документы

- UL60730
- IEC 60730-1 и часть 2–14
- UL1097 – двойная изоляция
- Сертификат CE Директива по низковольтному оборудованию 2014/35/EU
- CE ЭМС 2004/108/EC
- Кабели переключателей имеют только сертификат UL.

Отработанное электрическое и электронное оборудование (WEEE)



Правильная утилизация этого изделия (применяется в странах Европейского союза и других европейских странах с системами раздельного сбора). Это изделие необходимо утилизировать в конце периода его нормальной эксплуатации в соответствии с применимыми местными законами, правилами и процедурами.

Номинальные характеристики корпуса

- IP54, зависит от положения в соответствии с разделом «Определение правильной ориентации монтажа» на стр. 4.
- NEMA 2
- Огнестойкость UL94-5VA
- UL2043, проводка переключателя зависит от монтажа кабелепровода

Импеданс входа

- Минимум 95 кОм для аналогового модулирующего входа.

Сигнал обратной связи

- 2–10 В пост. тока, вытекающий ток 1 мА, втекающий ток 0,5 мА

Уровень шума на расст. 1 м при работе привода (максимум при скорости привода 90 с)

- Плавающий/модулирующий/Sylk < 40 дБ(А)
- Возврат пружины: < 65 дБ(А)

Дополнительные принадлежности и информация для заказа

- Плечо кривошипа, артикул DIAM-CRK-01
- Самоцентрирующий переходник вала
- Кронштейн с защитой от вращения

СТАНДАРТНЫЕ ХАРАКТЕРИСТИКИ

Исполнительные механизмы с пружинным возвратом должны быть напрямую подключаемыми, не требующими применения ни плеча кривошипа, ни соединительного рычага, и должны предоставлять возможность прямого монтажа на промежуточном валу диаметром до 3/4 дюйма. Исполнительный механизм должен соединяться с валом с помощью съемной выходной втулки с самоцентрирующейся муфтой вала. Эта муфта должна обеспечивать концентрическое крепление и включать встроенный регулируемый механизм блокировки по диапазону.

Исполнительный механизм должен обеспечивать плавное и пропорциональное управление. Пропорциональное управление подразумевает прямой прием входного сигнала 0–10 В пост. тока, 2–10 В пост. тока или (с добавлением резистора 500 Ом) 4–20 мА. Некоторые модели пропорционального и плавающего управления должны обеспечивать сигнал обратной связи. Плавающие исполнительные механизмы должны иметь переключатель управления направлением вращения, доступный на крышке.

Все исполнительные механизмы с пружинным возвратом должны быть рассчитаны на безотказную работу с движением по часовой стрелке или против часовой стрелки с постоянно задействованной механической пружиной. Эта пружина должна возвращать клапан или исполнительный механизм в безопасное положение в течение 25 секунд после потери питания.

Все исполнительные механизмы должны быть рассчитаны минимум на 60 000 циклов полного хода при номинальном крутящем моменте и температуре, 60 000 циклов возврата пружины и 1 500 000 перемещений. Время работы должно быть постоянным и не должно зависеть от следующих факторов: нагрузка, температура и напряжение питания (в пределах спецификации). Все исполнительные механизмы должны иметь сертификат UL60730 и cUL (CSA22.2), иметь пятилетнюю гарантию и быть изготовлены в соответствии с международными стандартами контроля качества ISO 9001. Исполнительные механизмы должны быть аналогичны производимым компанией Honeywell.

Шина Sylk™:

Sylk — двухпроводная нечувствительная к полярности шина, которая обеспечивает связь между поддерживающими технологию Sylk приводом и контроллером. При соединении проводами исполнительный механизм с поддержкой Sylk может быть установлен на расстоянии до 61 м от контроллера; для расстояний более 30,5 м рекомендуется использовать витую пару. Использование исполнительных механизмов с поддержкой Sylk высвобождает ввод/вывод на контроллере и обеспечивает более быстрый и дешевый монтаж, так как шина нечувствительна к полярности.

МОНТАЖ

Указания по монтажу данного изделия

1. Внимательно ознакомьтесь с этими инструкциями. Несоблюдение инструкций может привести к повреждению изделия или созданию опасной ситуации.
2. Проверьте номинальные параметры, приведенные в инструкциях и нанесенные на изделие, чтобы убедиться в соответствии изделия вашей прикладной задаче.
3. Монтаж должен выполняться обученным, опытным специалистом по обслуживанию.
4. Завершив монтаж, проверьте работоспособность изделия в соответствии с этими инструкциями.



ОСТОРОЖНО!

Опасность поражения электрическим током или повреждения оборудования. Низкое напряжение может стать причиной поражения электрическим током или привести к короткому замыканию оборудования.
Отключите питание перед монтажом.

ВАЖНО!

Электромонтаж должен выполняться в соответствии с действующими правилами, предписаниями и законодательными требованиями.

Местоположение

Эти исполнительные механизмы предназначены для установки непосредственно на внешнем приводном валу заслонки. Муфта вала крепится к приводному валу. Корпус исполнительного механизма оснащен пазами, которые вместе с кронштейном с защитой от вращения крепят исполнительный механизм к раме заслонки или трубопроводу (см. рис. 10).

ПРИМЕЧАНИЯ:

- При правильной установке эти пазы позволяют исполнительному механизму плавать без вращения относительно вала заслонки.
- В случае использования других кронштейнов или соединений исполнительный механизм может быть установлен на одинарной или двойной ножке.

! ОСТОРОЖНО!

Опасность повреждения двигателя. Коррозийные пары и кислотные испарения могут повредить металлические и пластиковые детали.

Устанавливайте двигатель в местах, где отсутствуют кислотные и другие ухудшающие свойства деталей пары.

! ОСТОРОЖНО!

Опасность повреждения оборудования. Слишком плотное закрепление исполнительного механизма на корпусе заслонки может повредить исполнительный механизм.

Устанавливайте исполнительный механизм так, чтобы он мог плавать вдоль своей вертикальной оси.

Подготовка

Перед установкой исполнительного механизма на вал заслонки определите:

- Направление открытия заслонки/клапана для обеспечения правильного вращения пружинного возврата. Исполнительный механизм может быть установлен таким образом, чтобы обеспечить вращение пружинного возврата по часовой стрелке или против часовой стрелки путем поворота или переверота механизма.
- Размер вала заслонки (см. раздел «ТЕХНИЧЕСКИЕ ХАРАКТЕРИСТИКИ»).

Определение правильной ориентации монтажа

Исполнительные механизмы предназначены для открывания заслонки путем вращения вала заслонки в направлении по часовой ↻ стрелке или против часовой ↺ стрелки (см. рис. 3).

ПРИМЕЧАНИЯ:

- Исполнительные механизмы поставляются в полностью закрытом положении (пружинный возврат).
- Канавка на адаптере указывает на место на этикетке, указывающее положение поворота втулки.

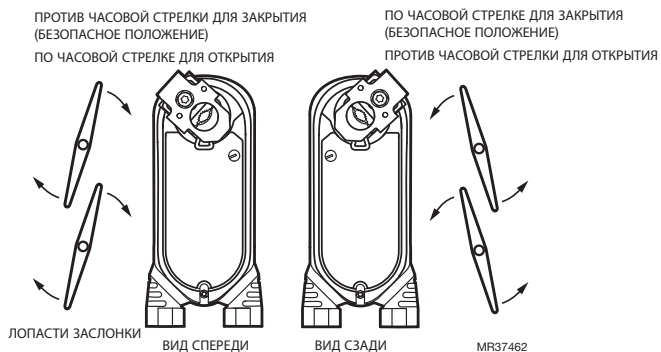


Рис. 3. Ориентация монтажа напрямую подключаемого исполнительного механизма с пружинным возвратом.

Измерение длины вала заслонки/клапана

Если длина вала для однополюсного переключателя составляет менее 83 мм, между заслонкой/клапаном и корпусом исполнительного механизма необходимо расположить муфту вала. Если длина вала составляет более 76 мм, муфта вала может располагаться с любой стороны корпуса исполнительного механизма. Если необходимо переместить муфту с одной стороны исполнительного механизма на другую, измените направление возврата пружины и переверните исполнительный механизм. Следуйте этим инструкциям (см. рис. 4):

1. Снимите фиксатор с муфты вала и отложите его в сторону для дальнейшего использования.
2. Снимите муфту вала с одной стороны исполнительного механизма.
3. Установите муфту вала на противоположной стороне исполнительного механизма, выровняв ее в соответствии с маркировкой хода.
4. Установите фиксатор на муфте вала, используя канавку муфты.

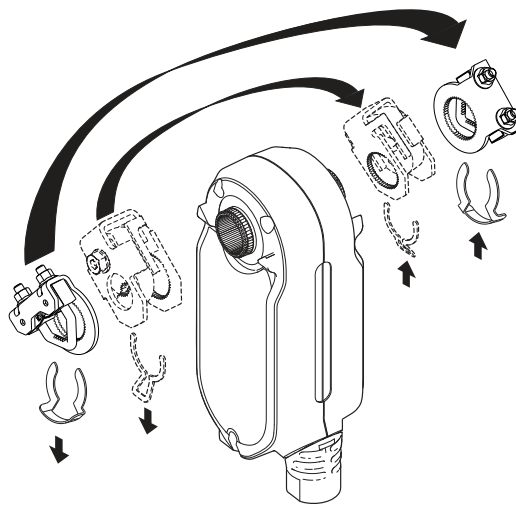


Рис. 4. Установка муфты вала на противоположной стороне исполнительного механизма.

Выбор управляющего сигнала исполнительного механизма (только для моделей MS7503)

Выбор осуществляется с помощью циферблата, который имеется как на передней, так и на задней стороне исполнительного механизма (см. рис. 5). Для выбора управляющего сигнала просто поверните диск выбора режима в нужный режим (как указано на этикетке устройства), не выходя за указатели диапазона.

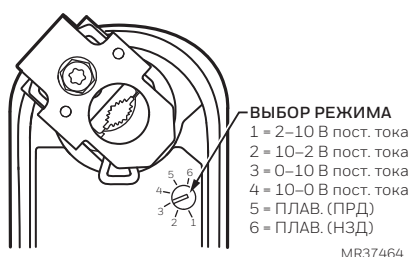


Рис. 5. Диски выбора режима для управляющего сигнала.

Только для моделей MS31XX

Эти исполнительные механизмы доступны с возможностью выбора адреса Sylk.

ПРИМЕЧАНИЯ: На выбор предоставляется 5 эффективных адресов Sylk. Например, чтобы выбрать адрес Sylk 11, переместите индикатор диапазона к отметке 1.

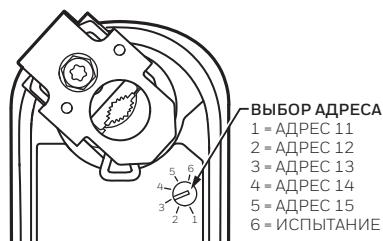


Рис. 6. Диск выбора адреса.

Нестандартный ход

Механическое ограничение предельного хода

В ситуациях, когда требуется ход менее 95 градусов, можно выполнить простую регулировку. При изменении положения вращающегося крепления муфты вала ход исполнительного механизма становится меньше полного хода, составляющего 95 градусов. Ход регулируется с шагом 7,5 градуса. После регулировки исполнительный механизм движется до тех пор, пока муфта вала не достигнет механического упора (часть корпуса). Остановка муфты приводит к остановке двигателя, и муфта вала не движется дальше. Когда исполнительный механизм совершает обратный

ход, он останавливается в безопасном положении. Механическое ограничение минимального положения запрещено. Используйте электронное или программное ограничение, если это необходимо. Чтобы ограничить диапазон хода, выполните следующие действия.

1. Снимите фиксатор с муфты вала и отложите его в сторону для дальнейшего использования.
2. Снимите муфту вала с исполнительного механизма.
3. Поверните муфту в нужное положение, выравнивая ее по маркировке хода. См. рис. 7.

ПРИМЕЧАНИЕ. Местоположение муфты вала определяет диапазон перемещения.

ПРИМЕР. Установка муфты вала в приблизительное безопасное положение 30 градусов (как указано на корпусе) ограничивает ход до 60 градусов. (См. рис. 7.)

4. Установите муфту вала в этом положении.
5. Установите фиксатор на муфте вала, используя канавку муфты.

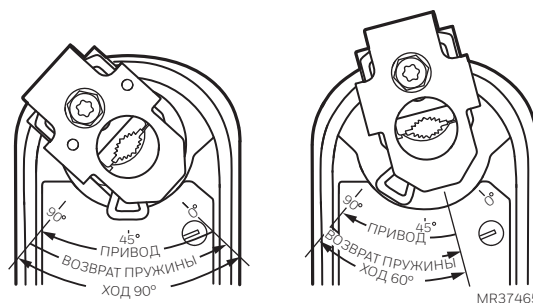


Рис. 7. Уменьшение хода.

Монтаж

⚠ ОСТОРОЖНО!

Опасность повреждения устройства. Неправильная затяжка муфты вала может привести к неисправности устройства. Затяните муфту вала с соответствующим усилием, чтобы предотвратить проскальзывание вала заслонки.

⚠ ОСТОРОЖНО!

Опасность повреждения исполнительного механизма. Использование исполнительного механизма в качестве подшипника вала приводит к повреждению устройства. Используйте исполнительный механизм только для подачи крутящего момента. Избегайте боковых нагрузок на подшипники выходной муфты исполнительного механизма.

ОСТОРОЖНО!

Опасность повреждения оборудования. Может повредить двигатель без возможности восстановления.

Не поворачивайте вал двигателя вручную или с помощью гаечного ключа. Принудительное вращение вала двигателя может повредить зубчатую передачу.

Чтобы установить исполнительный механизм на внешний приводной вал заслонки, выполните следующее.

1. Поместите исполнительный механизм на вал заслонки; и удерживайте монтажный кронштейн на нужном месте. См. рис. 10.
2. Пометьте отверстия для винтов на корпусе заслонки.
3. Снимите исполнительный механизм и монтажный кронштейн.
4. Просверлите или пробейте отверстия для крепежных винтов (или используйте самонарезающие винты для листового металла № 10).
5. Поверните лопасти заслонки в нужное нормальное (закрытое) положение.
6. Установите исполнительный механизм и монтажный кронштейн на место и закрепите кронштейн на корпусе заслонки винтами для листового металла.
7. Используя гаечный ключ на 10 мм, надежно затяните муфту вала на валу заслонки, момент затяжки не должен превышать 12 Н·м.

ПРИМЕЧАНИЕ. Сведения о правильной установке на квадратный вал заслонки см. на рис. 8.



Рис. 8. Правильная установка на квадратный вал заслонки.

Для обеспечения класса защиты от проникновения IP54 исполнительный механизм должен быть смонтирован, как показано на рис. 9. Класс защиты IP54 обеспечивается при всех монтажных положениях, за исключением монтажа кабелем вверх (за чертой). См. рис. 9.

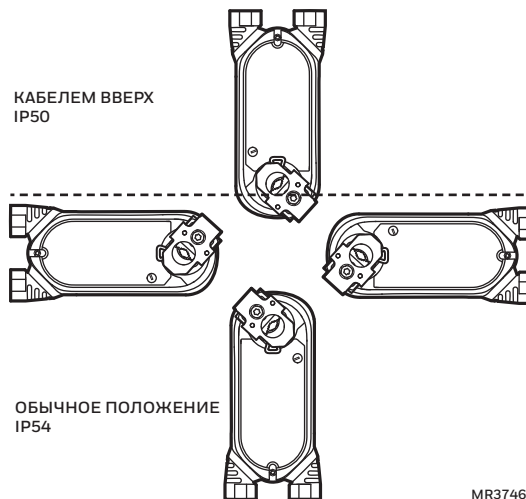
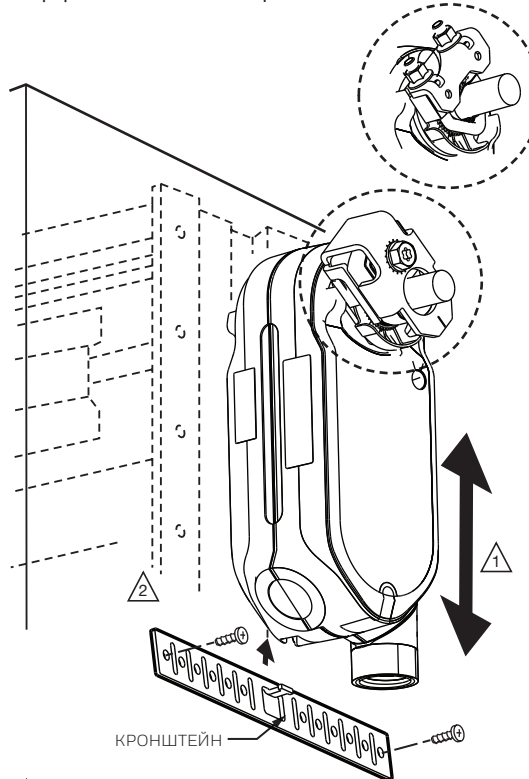


Рис. 9. Монтаж исполнительного механизма для обеспечения класса защиты IP.

Деталь с U-образным болтом



1 УБЕДИТЕСЬ, ЧТО МОНТАЖНОЕ КРЕПЛЕНИЕ ПРЕДОТВРАЩАЕТ ВРАЩЕНИЕ ИСПОЛНИТЕЛЬНОГО МЕХАНИЗМА И ПОЗВОЛЯЕТ ИСПОЛНИТЕЛЬНОМУ МЕХАНИЗМУ ПЛАВАТЬ ВДОЛЬ УКАЗАННОЙ ОСИ. СЛИШКОМ СИЛЬНОЕ ЗАКРЕПЛЕНИЕ МОЖЕТ ПРИВЕСТИ К ПОВРЕЖДЕНИЮ ИСПОЛНИТЕЛЬНОГО МЕХАНИЗМА ИЛИ УМЕНЬШИТЬ ПЕРЕДАВАЕМЫЙ КРУТЯЩИЙ МОМЕНТ.

2 КРОНШТЕЙН МОЖНО ИЗОГНУТЬ, ЧТОБЫ УСТАНОВИТЬ ИСПОЛНИТЕЛЬНЫЙ МЕХАНИЗМ ПАРАЛЛЕЛЬНО К МОНТАЖНОЙ ПОВЕРХНОСТИ.

Рис. 10. Монтаж исполнительного механизма на корпусе заслонки.

ПРОВОДКА

! ОСТОРОЖНО!

Опасность поражения электрическим током или повреждения оборудования.

Перед установкой отключите все источники питания.

Двигатели со вспомогательными выключателями могут иметь более одного источника питания.

ВАЖНО!

Электромонтаж должен выполняться в соответствии с местными правилами, предписаниями и законодательными требованиями.

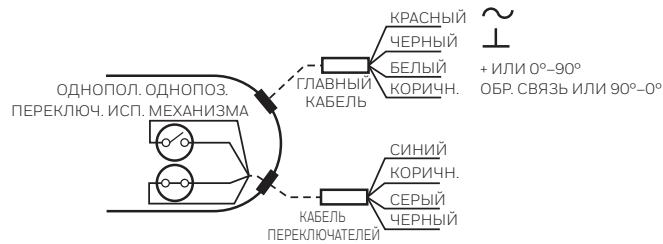


Рис. 11. Сведения о прокладке кабеля.

Переключатель

Серый/черный = нормально разомкнут. Замкнут в диапазоне 80 градусов к полному открытию. Синий/коричневый = нормально замкнут. Разомкнут в диапазоне 10 градусов к полному открытию.

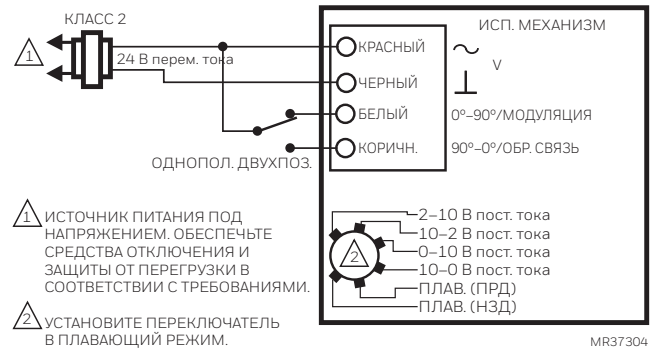
Табл. 3. Сведения о проводке.

Проводка	Плавающий	Модулирующий	Sytk
КРАСНЫЙ ~	питание	питание	питание
ЧЕРНЫЙ ⊥	общий контакт	общий контакт	общий контакт
БЕЛЫЙ ²	0–90°	сигнал управления	S-BUS
КОРИЧНЕВЫЙ →	90–0°	обратная связь ¹	S-BUS

¹ Доступно не на всех модулирующих моделях, см. табл. 1.

² Коричневый для MS3103.

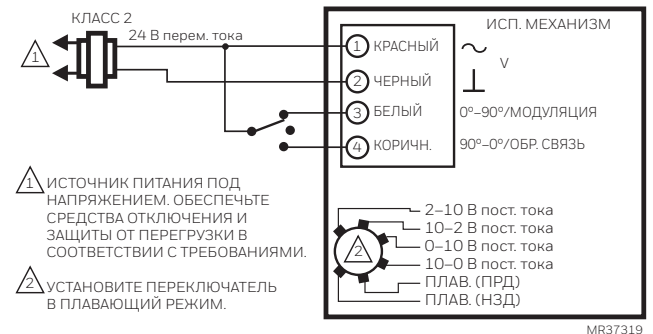
Плавающие и модулирующие модели



! ИСТОЧНИК ПИТАНИЯ ПОД НАПРЯЖЕНИЕМ. ОБЕСПЕЧЬТЕ СРЕДСТВА ОТКЛЮЧЕНИЯ И ЗАЩИТЫ ОТ ПЕРЕГРУЗКИ В СООТВЕТСТВИИ С ТРЕБОВАНИЯМИ.

2 УСТАНОВИТЕ ПЕРЕКЛЮЧАТЕЛЬ В ПЛАВАЮЩИЙ РЕЖИМ.

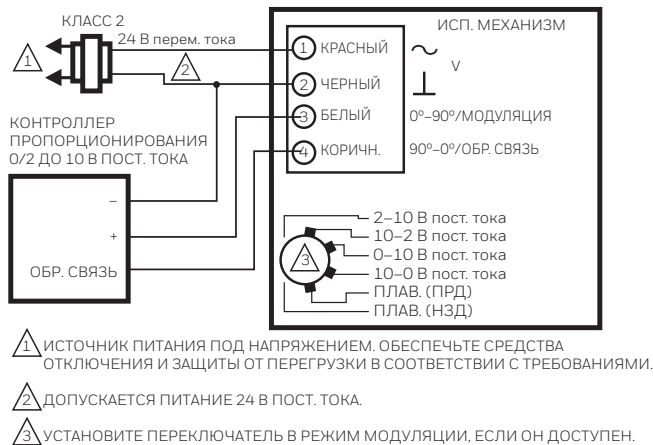
Рис. 12. Проводка для включения/выключения однополюсного переключателя, модель MS75.



! ИСТОЧНИК ПИТАНИЯ ПОД НАПРЯЖЕНИЕМ. ОБЕСПЕЧЬТЕ СРЕДСТВА ОТКЛЮЧЕНИЯ И ЗАЩИТЫ ОТ ПЕРЕГРУЗКИ В СООТВЕТСТВИИ С ТРЕБОВАНИЯМИ.

2 УСТАНОВИТЕ ПЕРЕКЛЮЧАТЕЛЬ В ПЛАВАЮЩИЙ РЕЖИМ.

Рис. 13. Проводка для плавающего управления, модель MS75.



! ИСТОЧНИК ПИТАНИЯ ПОД НАПРЯЖЕНИЕМ. ОБЕСПЕЧЬТЕ СРЕДСТВА ОТКЛЮЧЕНИЯ И ЗАЩИТЫ ОТ ПЕРЕГРУЗКИ В СООТВЕТСТВИИ С ТРЕБОВАНИЯМИ.

2 ДОПУСКАЕТСЯ ПИТАНИЕ 24 В ПОСТ. ТОКА.

3 УСТАНОВИТЕ ПЕРЕКЛЮЧАТЕЛЬ В РЕЖИМ МОДУЛЯЦИИ, ЕСЛИ ОН ДОСТУПЕН.

Рис. 14. Проводка для модулирующего пропорционального управления (0/2–10 В пост. тока), модели MS75 (показана) и MS71.

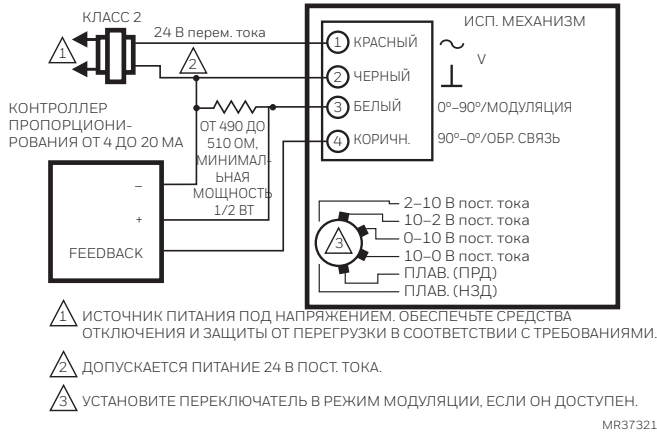


Рис. 15. Проводка для пропорциональных контроллеров 4-20 мА, модели MS75 (показана) и MS71.

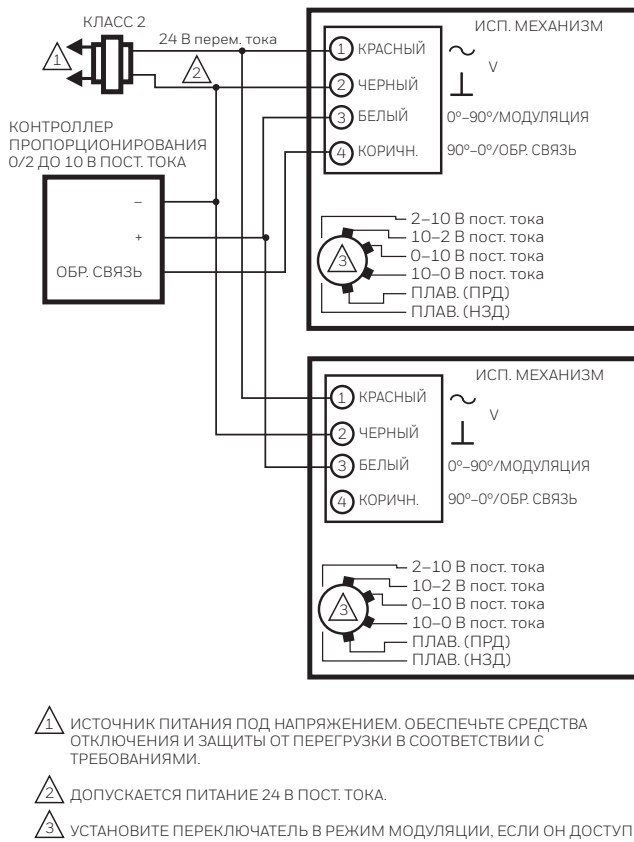


Рис. 16. Проводка для модулирующего пропорционального управления (0/2-10 В пост. тока), работающего с несколькими исполнительными механизмами, модели MS75 (показана) и MS71.

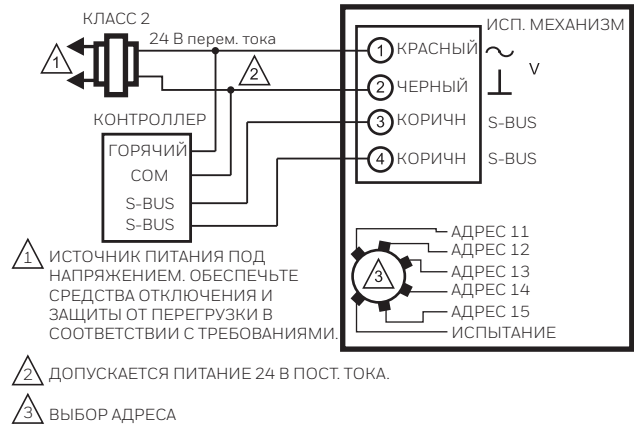
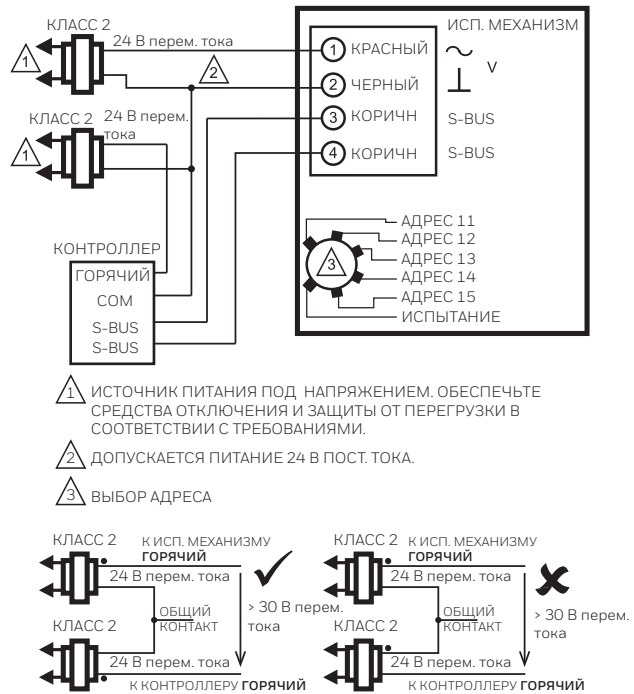


Рис. 17. Проводка для ШИНЫ SYLK, модель MS3103.



ПРИМЕЧАНИЯ. При использовании двух трансформаторов в установке убедитесь, что вы подключаете соответствующие фазы вторичных обмоток как общие. Проверьте напряжение, как показано на рисунке, и убедитесь, что оно ниже 30 В перем. тока. Если нет, поменяйте местами фазы одной вторичной обмотки.

Рис. 18. Проводка для управления ШИНОЙ SYLK с отдельными трансформаторами, MS3103.

ЭКСПЛУАТАЦИЯ

Исполнительный механизм предназначен для использования в системах вентиляции и кондиционирования воздуха для управления клапанами, заслонками, вентиляционными заслонками и жалюзи. (Параметры см. в раздел «ТЕХНИЧЕСКИЕ ХАРАКТЕРИСТИКИ».) В случае сбоя питания исполнительный механизм возвращается пружиной в безопасное положение.

Когда используется пропорциональный контроллер и исполнительный механизм установлен в положение (0)2-10, исполнительный механизм перемещается в полностью открытое положение при усилении входного сигнала; исполнительный механизм перемещается в полностью закрытое положение при ослаблении входного сигнала. Исполнительный механизм останавливается, когда входной сигнал достигает требуемой точки пропорционального управления. Если исполнительный механизм установлен в положение 10-2(0), действия выполняются в обратном порядке.

ВАЖНО!

Исполнительный механизм предназначен для реагирования на мгновенное замыкание контактов контроллера DDC. Будьте осторожны, чтобы не создать короткое замыкание в исполнительном механизме. Нестабильное управление заслонкой может привести к преждевременному выходу исполнительного механизма из строя.

Режим быстрого ввода в эксплуатацию (только режим управления с модуляцией и связь SYLK)

Когда на модулирующий вход подается сигнал 24 В перем. тока или 24 В пост тока либо на исполнительном механизме SYLK выбирается позиция 6 (ИСПЫТАНИЕ), исполнительный механизм переходит в полностью открытое положение с более высокой скоростью, соответствующей 30-секундной синхронизации. Когда сигнал перестает поступать, исполнительный механизм переходит в полностью закрытое положение с нормальной скоростью синхронизации.

! ОСТОРОЖНО!

Не используйте режим быстрой проверки для постоянной работы.

В случае постоянного использования этого режима срок службы оборудования уменьшается. Этот режим предназначен только для первоначального ввода в эксплуатацию / тестирования системы после установки. Потребляемая мощность для этого режима не указана.

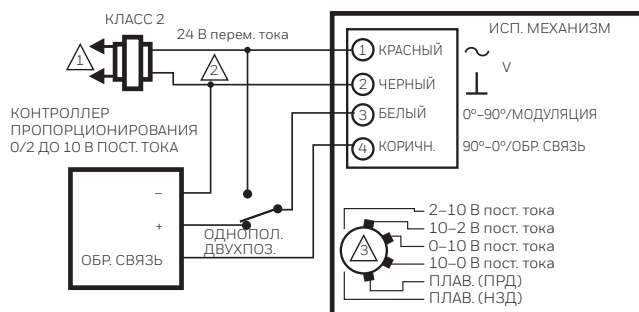
Вспомогательные переключатели

Некоторые модели оснащены вспомогательными переключателями. Дополнительные сведения о проводке см. на рис. 11.

Игнорирование исполнительного механизма

Игнорирование управляющего сигнала (для защиты от замерзания или выполнения аналогичных задач):

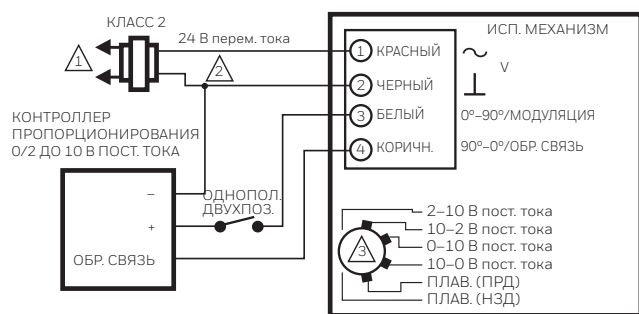
1. Игнорирование для перехода в полностью открытое положение (быстрый ввод в эксплуатацию, режим привода ниже 30 секунд):
 - a. Отключите входной сигнал (от клеммы 3).
 - b. Подайте 24 В пер. тока на клемму 3.
 - c. См. рис. 19.
2. Возвращение в полностью закрытое положение:
 - a. Отключите входной сигнал (от клеммы 3).
 - b. См. рис. 20.



- 1. ИСТОЧНИК ПИТАНИЯ ПОД НАПРЯЖЕНИЕМ. ОБЕСПЕЧЬТЕ СРЕДСТВА ОТКЛЮЧЕНИЯ И ЗАЩИТЫ ОТ ПЕРЕГРУЗКИ В СООТВЕТСТВИИ С ТРЕБОВАНИЯМИ.
- 2. ДОПУСКАЕТСЯ ПИТАНИЕ 24 В ПОСТ. ТОКА.
- 3. УСТАНОВИТЕ ПЕРЕКЛЮЧАТЕЛЬ В РЕЖИМ МОДУЛЯЦИИ, ЕСЛИ ОН ДОСТУПЕН.

MR37323

Рис. 19. Игнорирование для перехода в открытое положение.





- 1. ИСТОЧНИК ПИТАНИЯ ПОД НАПРЯЖЕНИЕМ. ОБЕСПЕЧЬТЕ СРЕДСТВА ОТКЛЮЧЕНИЯ И ЗАЩИТЫ ОТ ПЕРЕГРУЗКИ В СООТВЕТСТВИИ С ТРЕБОВАНИЯМИ.
- 2. ДОПУСКАЕТСЯ ПИТАНИЕ 24 В ПОСТ. ТОКА.
- 3. УСТАНОВИТЕ ПЕРЕКЛЮЧАТЕЛЬ В РЕЖИМ МОДУЛЯЦИИ.

MR37324


Рис. 20. Возвращение в закрытое положение.

ПРОВЕРКИ

Работа в режиме модуляции / плавающем режиме

1. Установите исполнительный механизм для выполнения необходимой задачи (вращение по часовой  стрелке или против часовой  стрелки для открытия заслонки).
2. Подключите питание к проводу питания и общему проводу. (См. рис. 11 и табл. 3.)
3. Установите диск выбора режима на нужный сигнал управления. (См. рис. 5.)
4. Подайте сигнал управления для перевода исполнительного механизма в полностью открытое или полностью закрытое положение. (См. рис. 11 и табл. 3.)
 - a. (0)2-10 В пост. тока: подайте сигнал 10 В пост. тока на провод управления (БЕЛЫЙ).
 - b. 10-(0)2 В пост. тока: подайте сигнал (0)2 В пост. тока на провод управления (БЕЛЫЙ).
 - c. (0)4-20 мА: подайте сигнал 20 мА на провод управления (БЕЛЫЙ).
 - d. 20-(0)4 мА: подайте сигнал (0)4 мА на провод управления (БЕЛЫЙ).
 - e. Плавающий режим: подайте сигнал 24 В пер. тока на соответствующий провод 0-90° (БЕЛЫЙ) или 90-0° (КОРИЧНЕВЫЙ).
5. Исполнительный механизм переходит в полностью открытое или полностью закрытое положение.
6. Подайте сигнал управления для перевода исполнительного механизма в положение 0 %. (См. рис. 11 и табл. 3.)
 - a. (0)2-10 В пост. тока: подайте сигнал (0)2 В пост. тока на провод управления (БЕЛЫЙ).
 - b. 10-(0)2 В пост. тока: подайте сигнал 10 В пост. тока на провод управления (БЕЛЫЙ).
 - c. (0)4-20 мА: подайте сигнал (0)4 мА на провод управления (БЕЛЫЙ).
 - d. 20-(0)4 мА: подайте сигнал 20 мА на провод управления (БЕЛЫЙ).
 - e. Плавающий режим: подайте сигнал 24 В пер. тока на соответствующий провод 0-90° (БЕЛЫЙ) или 90-0° (КОРИЧНЕВЫЙ).
7. Исполнительный механизм переходит в полностью открытое или полностью закрытое положение.

Пружинный возврат


1. Установите исполнительный механизм для выполнения необходимой задачи (вращение по часовой  стрелке или против часовой  стрелки для открытия заслонки или клапана).
2. Подключите питание к проводу питания и общему проводу. (См. рис. 11 и табл. 3.)
3. Установите диск выбора режима на нужный сигнал управления. (См. рис. 5.)

4. Подайте сигнал управления для перевода исполнительного механизма в положение 50 %.
 - a. Входной сигнал, В пост. тока: подайте сигнал 5-6 В пост. тока на провод управления (БЕЛЫЙ). См. рис. 14.
 - b. Входной сигнал, мА: подайте сигнал 10-12 мА на провод управления (БЕЛЫЙ). См. рис. 14.
 - c. Плавающий режим: подайте сигнал 24 В пер. тока на соответствующий провод 0-90° (3) или 90-0° (4), пока устройство не достигнет положения 50 %.
5. Дайте исполнительному механизму переместиться в положение 50 %.
6. Отсоедините провод питания (КРАСНЫЙ).
7. Пружина исполнительного механизма возвращается в положение 0 %.
8. Снова подсоедините провод питания (КРАСНЫЙ), исполнительный механизм возвращается в положение 50 %.

Обратная связь

1. Подключите мультиметр, настроенный на напряжение пост. тока, к общему (ЧЕРНОМУ) проводу и проводу обратной связи (КОРИЧНЕВЫЙ).
2. Подайте тот же сигнал, что и на шаге 4 режима модуляции.
3. Показания мультиметра увеличиваются в соответствии со значениями входного сигнала, когда исполнительный механизм переходит в полностью открытое или полностью закрытое положение.
4. Подайте тот же сигнал, что и на шаге 6 режима модуляции.
5. Показания мультиметра уменьшаются в соответствии со значениями входного сигнала, когда исполнительный механизм перемещается в положение 0 %.

Прямая проверка

1. Установите исполнительный механизм для выполнения необходимой задачи (вращение по часовой  стрелке или против часовой  стрелки для открытия заслонки или клапана).
2. Проверьте положение заслонки и убедитесь, что в соответствующих соединениях присутствует 24 В пост./пер. тока. (См. рис. 11.)
3. Подайте сигнал управления на соответствующие соединения, чтобы переместить заслонку в противоположное положение. Исполнительный механизм должен переместить заслонку или клапан.
4. Если исполнительный механизм не работает, убедитесь, что он установлен правильно для вращения по часовой  стрелке или против часовой  стрелки.
5. Если исполнительный механизм установлен правильно, но не работает, замените его.

Проверка с использованием Sylk (S-BUS)

1. Установите исполнительный механизм для выполнения необходимой задачи (вращение по часовой стрелке ↻ или против часовой стрелки ↺ для открытия заслонки).
2. Подсоедините контроллер с поддержкой Sylk (S-BUS) к клеммам 3 и 4.
3. Подключите питание к клеммам 1 и 2.
4. Выберите правильный адрес на диске выбора адреса в соответствии с адресом, который необходимо использовать (как показано в таблице рядом с диском).
5. Подайте команду S-BUS через подключенный контроллер с поддержкой Sylk для занятия положения привода.
6. Можно выбрать режим локального тестирования (режим быстрого ввода в эксплуатацию) путем выбора позиции 6 на диске выбора адреса. Не забудьте установить диск в соответствующее положение для выбранного вами адреса после завершения испытания.

Инструкции по безопасности

Рекомендуется применять меры обеспечения физической безопасности, такие как помещение исполнительного механизма в запираемый шкаф, аппаратную комнату или любое другое место с ограничением доступа для предотвращения вмешательства в работу устройства и несанкционированного изменения параметров, доступных через соединение NFC и SYLK. Подключение к устройству через NFC защищено с помощью PIN-кода. На каждом устройстве предустановлен заводской PIN-код по умолчанию. Заводской PIN-код по умолчанию — 2586, он одинаков для всех устройств этого семейства. Рекомендуется изменить PIN-код по умолчанию на уникальный PIN-код пользователя. Уникальный PIN-код пользователя может быть в любой момент сброшен с помощью заводского PIN-кода.

Описание функции NFC

- Устройство соответствует требованиям ISO/IEC 14443A.
- NFC может использоваться для обеспечения связи между исполнительным механизмом и устройством, оснащенным NFC.
- Расположение зоны NFC показано на рис. 21.
- Если точка доступа NFC обращена к заслонке, то возможен ограниченный доступ на краю стороны, по которой проходят провода питания, в зависимости от места установки и возможностей устройства NFC.

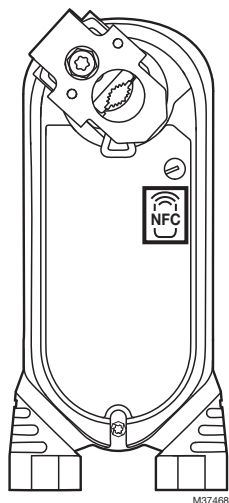


Рис. 21. Расположение зоны доступа NFC.

ТАБЛИЦА ОПАСНЫХ ВЕЩЕСТВ (КИТАЙ)

部件名称	有害物质 Опасные вещества					
	铅 (Pb)	汞 (Hg)	镉 (Cd)	六价铬 (Cr6+)	多溴联苯 (PBB)	多溴二苯醚 (PBDE)
印刷线路板 Печатная плата	X	O	O	O	O	O
齿轮 Шестерни	X	O	O	O	O	O
接线端子 Клеммный блок	X	O	O	O	O	O
电机 Электрический двигатель	X	O	O	O	O	O
弹簧 Пружина	X	O	O	O	O	O
本表格依据 SJ/T 11364 的规定编制。						
O: 表示该有害物质在该部件所有均质材料中的含量均在 GB/T 26572 规定的限量要求以下。						
X: 表示该有害物质至少在该部件的某一均质材料中的含量超出 GB/T 26572 规定的限量要求。						

" 未列入表内的其他部件，皆不含任何超出限量要求的限制使用物质。

Все остальные компоненты, не указанные в таблице, не содержат запрещенных веществ выше порогового уровня.

Используя эту документацию компании Honeywell, вы соглашаетесь с тем, что Honeywell не несет ответственности за какие-либо убытки, возникшие в результате использования или изменения вами этой документации. Вы обязуетесь защищать и освобождать компанию Honeywell, ее филиалы и дочерние компании от любой ответственности, расходов или убытков, в том числе на гонорары адвокатов, которые возникают в результате внесения вами каких-либо изменений в документацию.

Honeywell Building Technologies

В США:

715 Peachtree Street NE

Atlanta, GA 30308

customer.honeywell.com

Honeywell

® Товарный знак, зарегистрированный в США
© Корпорация Honeywell International, 2020.
31-00141M-06 M.S. Rev. 03-20
Напечатано в Соединенных Штатах

المُشغلات المقرونة مباشرة بزنبرك الارتداد بقدرة 3 ن/م MS3103 و MS7503 و MS7103



تعليمات التركيب

المواصفات

تستخدم المُشغلات المقرونة مباشرة بزنبرك الارتداد طراز MS7103 و MS7503 و MS3103 في أنظمة التدفئة والتبريد والتكييف الهوائي (HVAC). كما أنها تُستخدم في تشغيل مجموعة متنوعة من الصمامات الدوارة بربع لفة، وعناصر التحكم النهائية التي تتطلب تشغيلًا آمنًا في حالة تعطل زنبرك الارتداد.

تشمل الاستخدامات ما يلي:

- خنادق التحكم في حجم الهواء، المثبتة مباشرة أو عن بُعد في عمود الإدارة (مع استخدام الأجهزة الملحقة).
- صمامات دوارة بربع لفة، مثل الصمامات الكروية المثبتة مباشرة في عمود الإدارة.
- جميع الطرز مزودة بكابل وضع الاختبار السريع

الطرز:

□ الجدول رقم 1 انظر

وزن الجهاز:

□ 1.7 رطلاً (0.78 كجم)

درجة حرارة التشغيل:

□ 40- إلى 150 درجة فهرنهايت (-40 إلى 65 درجة مئوية)

درجة حرارة الشحن والتخزين:

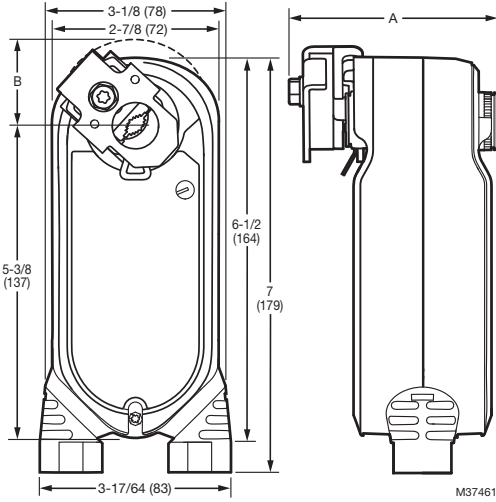
□ 40- إلى 150+ درجة فهرنهايت (-40 إلى 65+ درجة مئوية)

يوضح الجدول رقم 1. طُرز المنتج.

رقم الطراز	وصف داخل / خارج وحدة التحكم	مفتاح أحادية القطب مفردة التحويل مدخل Aux المفاتيح	"1/2 360° أنبوب توصيل مستدير	مهايئ عمود الإدارة	عزم الدوران	فولتية مصدر التيار	التشغيل / إيقاف التشغيل (VA)	التشغيل (ثانية)
MS7103A1021	الضبط ¹	لا	نعم	SCSA	27 رطل (3 ن/م)	24 فولت تيار متردد +/- 20% في محوّل من الفئة 2 بقدرة 50/60 هرتز، 24 فولت تيار مستمر 10%/-/20%+	4/2	90
MS7103A2021	الضبط ¹ ، التغذية المرتدة	نعم					90	
MS7103A2221	الضبط ² ، الطفو، 2 موضع، التغذية الراجعة	لا					90	
MS7503A2021	الضبط ² ، الطفو، 2 موضع، التغذية الراجعة	نعم					90	
MS7503A2221	الضبط ² ، الطفو، 2 موضع، التغذية الراجعة	لا					90	
MS7503A2023	الضبط ² ، الطفو، 2 موضع، التغذية الراجعة	نعم					90	
MS7503A2223	الضبط ² ، الطفو، 2 موضع، التغذية الراجعة	لا					90	
MS7103A2024	الضبط ¹ ، التغذية المرتدة	لا	لا	مسمار ركابي	27 رطل (3 ن/م)	24 فولت تيار متردد +/- 20% في محوّل من الفئة 2 بقدرة 50/60 هرتز، 24 فولت تيار مستمر 10%/-/20%+	4/2	90
MS7103A2224	الضبط ¹ ، التغذية المرتدة	نعم	لا	مسمار ركابي			4/2	90
MS3103J1023	ناقل Sylk	لا	نعم	SCSA	27 رطل (3 ن/م)	24 فولت تيار متردد +/- 20% في محوّل من الفئة 2 بقدرة 50/60 هرتز، 24 فولت تيار مستمر 10%/-/20%+	4.5/2	30-180
MS3103J1024		لا	لا				4.5/2	30-180
MS3103J1221		نعم	نعم	4.5/2			30-180	
MS3103J1222		لا	لا	4.5/2			30-180	
MS3103J1223		نعم	نعم	4.5/2			30-180	
MS3103J1224		لا	لا	4.5/2			30-180	
MS3103J1021		لا	نعم	4.5/2			30-180	
MS3103J1022		لا	لا	4.5/2			30-180	



¹ 10-2 فولت تيار مباشر
² 10-(2) فولت تيار مباشر، 10-20 (2) فولت تيار مباشر

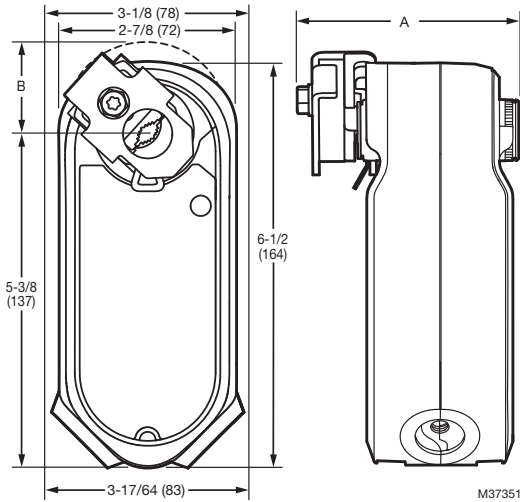


يظهر في الشكل رقم 1. رسم أبعاد المشغِّل بالبوصة (ملم). انظر الجدول رقم 2 للتعرف على الأبعاد A وB.

يوضح الجدول رقم 2. مهايئات عمود الإدارة.

B	A	نوع مهايئ عمود الإدارة
1.54 بوصة (39 ملم)	3.54 بوصة (90 ملم)	مهايئ ذاتي التمركز
1.57 بوصة ¹ (40 ملم)	3.11 بوصة (79 ملم)	مهايئ غير ذاتي التمركز

¹ للعمود 1/2 بوصة.



يظهر في الشكل رقم 2. رسم أبعاد المشغِّل دون أنبوب التوصيل بالبوصة (ملم). انظر الجدول رقم 2 للتعرف على الأبعاد A وB.

الشوط:

□ 95° ±3°، محدود ميكانيكيًا.

معدلات الرطوبة:

□ من 5% إلى 95% رطوبة نسبية، دون تكثف

□ مفاتيح مساعدة (مفتاحين من النوع أحادي القطب مفرد التحويل):

□ مفاتيح ثابتة عند 10 و80 درجة

□ 125 فولت تيار متردد، 1 أمبير، الحمل المقاموي

□ التركيب: مهايئ عمود إدارة ذاتي التمركز (وصلة عمود الإدارة):

□ أعمدة إدارة المخمد المستديرة: من 3/8 إلى 5/8 بوصة (من 9 إلى 16 ملم)

□ أعمدة إدارة المخمد المربعة: من 1/4 إلى 1/2 بوصة (من 6 إلى 13 ملم)

□ عزم الربط المحدد لبرغي مهايئ عمود الإدارة ذاتي التمركز هو 106 رطل/بوصة (12 ن/م).

□ التركيب: مهايئ عمود إدارة غير ذاتي التمركز:

□ أعمدة إدارة المخمد المستديرة:

□ من 1/4 إلى 3/4 بوصة (من 6 إلى 19 ملم)

□ أعمدة إدارة المخمد المربعة:

□ من 1/4 إلى 1/2 بوصة (من 6 إلى 13 ملم)

□ عزم الربط المحدد لبراغي مهايئ عمود الإدارة غير ذاتي التمركز هو 62 رطل/بوصة (7 ن/م).

□ الحد الأدنى لطول عمود المخمد

□ موصى بطول 3.25 بوصة (83 ملم) لمهايئ العمود ذاتي التمركز.

□ موصى بطول 3 بوصة (75 ملم) لمهايئ العمود غير ذاتي التمركز.

□ توقيت ارتداد الزنيك (عند الحمل المحدد):

□ > 25 ثانية عند 22- إلى 150 درجة فهرنهايت (-30 إلى 65 درجة مئوية)

> 60 ثانية عند 40- إلى 22 درجة فهرنهايت (-40 إلى 30 درجة مئوية)

□ مواصفات الكابلات:

□ كابل الطاقة: تصنيف الامتلاء، الطول 3 أقدام (0.914 م) من نهاية

□ غطاء الفتحة، مقاس 18 بمقياس الأسلاك الأمريكية

□ كابل التحويل: تصنيف الجهاز، بطول 3 أقدام (0.914 م) من نهاية

□ غطاء الفتحة، مقاس 18 بمقياس الأسلاك الأمريكية

المواصفات النموذجية

يجب أن تكون مُشغلات زبرك الارتداد من النوع المقترن مباشرة ولا تتطلب كرنك ولا وصلة وتسمح بالثبيت المباشر على ذراع تدوير اوسط يصل قطره إلى 3/4 بوصة. يجب ربط المُشغل بعمود الإدارة باستخدام موزع مركزي خارج قابل للإزالة مع وصلة عمود إدارة ذاتي التمرکز. يجب أن يوفر هذا الربط تثبيت متحد المركز ويشمل آلية متكاملة لإيقاف النطاق القابل للتعديل.

يجب أن يوفر المُشغل الطفو والتحكم النسبي. يُشير التحكم النسبي إلى القبول المباشر لـ 10-0 فولت تيار مباشر أو 2-10 فولت تيار مباشر أو (مع إضافة مقاومة 500 أوم) إشارة دخل 4-20 مللي أمبير. يجب أن توفر بعض طرز التحكم النسبية والتحكم في الطفو إشارة تغذية مرتدة. يجب أن يكون لمُشغلات الطفو مفتاح تحكم في اتجاه الدوران يمكن الوصول إليه على الغطاء.

يجب تصميم جميع مُشغلات زبرك الارتداد للعمل إما في اتجاه عقارب الساعة أو العكس للتشغيل الآمن مع زبرك ميكانيكي يعمل باستمرار. يجب أن يُعيد هذا الزبرك الصمام أو المُشغل إلى الوضع الآمن من التعطل في غضون 25 ثانية من فقد الطاقة.

يجب تصميم جميع المُشغلات بكفاءة تشغيل لا تقل عن 60.000 دورة كاملة عند العزم ودرجة الحرارة المحددة، و60.000 دورة لزبرك الارتداد و1.500.000 إعادة تموضع. يجب أن يكون وقت التشغيل ثابتاً ومستقلاً عما يلي: الحمل، ودرجة الحرارة، والجهد الكهربائي (ضمن المواصفات). يجب أن تكون جميع المُشغلات مدرجة في قوائم UL60730 و UL (CSA22.2) وبضمان خمسة أعوام، وتُصنع وفقاً لمعايير ISO 9001 الدولية لمراقبة الجودة. كما يجب أن تكون المُشغلات بحالة تصنيعها في Honeywell.

ناقل Sylk™:

Sylk عبارة عن ناقل مؤلف من سلكين غير حساس للقطبية، يوفر اتصالاً بين مُشغل يدعم Sylk ووحدة تحكم تدعم Sylk. بالنسبة إلى الأسلاك، قد يتم تثبيت المُشغل الذي يدعم Sylk على بعد 200 قدم (61 متر) من وحدة التحكم؛ يوصى بسلك مزدوج مجدول لأن السلك يمتد لأكثر من 100 قدم (30.5 متر). يؤدي استخدام المُشغلات التي تدعم Sylk إلى حفظ الإدخال / الإخراج على وحدة التحكم ويكون التثبيت أسرع وأرخص نظراً لأن الناقل غير حساس للقطبية.

التركيب

عند تركيب هذا المنتج...

1. ينبغي قراءة هذه التعليمات جيداً. قد يؤدي عدم اتباعها إلى إتلاف المنتج أو التسبب في حالة خطيرة.
2. تحقق من التصنيفات الواردة في التعليمات وعلى المنتج للتأكد من أن المنتج مناسب لاستخدامك.
3. مسموح فقط لفني خدمة مدرب وذو خبرة بتركيب الجهاز.
4. بعد إتمام التركيب، تحقق من تشغيل المنتج كما هو موضح في هذه التعليمات.

تحذير

تجنب الصدمات الكهربائية أو خطر إتلاف المعدات. قد يتسبب الجهد المنخفض في صدم الأفراد كهربياً أو حدوث قصر في الدائرة الكهربائية للجهاز. افصل مزود الطاقة قبل التركيب.

مهم

ينبغي امتثال جميع الأسلاك للقوانين، والقواعد واللوائح السارية.

موقع التركيب

صُممت هذه المُشغلات لتثبيتها مباشرة على عمود الإدارة الخارجي للمخمد. يُحكم ربط وصلة عمود الإدارة بعمود التشغيل. يحتوي هيكل المُشغل على فتحات، مع دعامة مضادة للدوران، تُثبتها بإطار المخمد أو عمل أنبوب التوصيل (انظر الشكل رقم 9).

ملاحظات:

- عند تركيب المنتج بطريقة صحيحة، تسمح هذه الفتحات للمُشغل بالطفو دون تدوير عمود المخمد.
- باستخدام الدعامة أو الوصلات الأخرى، يُمكن تركيب المُشغلات بالتوالي أو التوازي.

الموافقات:

- UL60730
- IEC 60730-1 و Part 2-14
- UL1097 للعزل المزدوج
- شهادة المطابقة الأوروبية، توجيه الفولتية المنخفضة 2014/35 الاتحاد الأوروبي
- CE EMC 2004/108/EC
- كإبالات التحويل معتمدة من مؤسسة UL فقط

نفايات المعدات الكهربائية والإلكترونية (WEEE):

الطريقة الصحيحة للتخلص من هذا المنتج (تطبق في دول الاتحاد الأوروبي والدول الأوروبية الأخرى ذات أنظمة التجميع المنفصلة).
يجب التخلص من هذا المنتج، في نهاية عمره الافتراضي، وفقاً للقوانين واللوائح والإجراءات المحلية السارية.



تصنيفات الإرفاق:

- يعتمد IP54 على الموضوع وفقاً لـ "تحديد الاتجاه المناسب للتركيب" كما هو موضح في الصفحة رقم 4.
- NEMA 2
- مقاوم للهب UL94-5VA
- UL2043، تبديل مجموعة الأسلاك التي تعتمد على تركيب أنبوب التوصيل

معاوقة المدخل:

- الحد الأدنى 95 كيلو أوم لإدخال الضبط التناظري.

إشارة التغذية المرتدة:

- 10-2 فولت تيار مباشر، مصدر 1 مللي أمبير، دائرة 0.5 مللي أمبير

تقييم الضوضاء عند التشغيل على مسافة متر واحد (الحد الأقصى

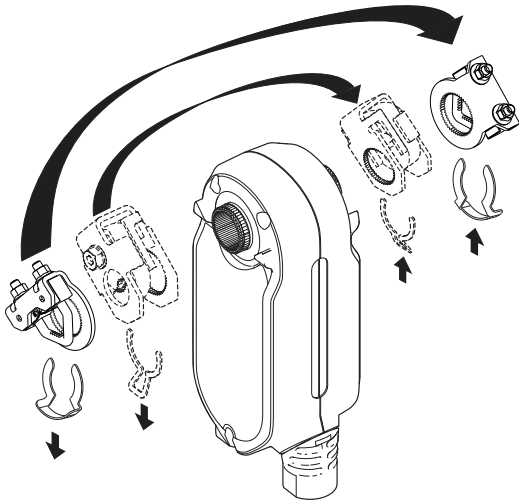
لسرعة التشغيل 90 ثانية):

- الطفو/الضبط < 40 Sylk (ديسبيل (A))
- أثناء ارتداد الزبرك: أقل من 65 ديسبيل (A)

معلومات الملحقات والطلبية:

- مجموعة ذراع الكرنك، OS-No. DIAM-CRK-01
- مهابى عمود إدارة ذاتي التمرکز
- دعامة مضادة للدوران

4. استبدل مشبك التثبيت الموجود على وصلة عمود الإدارة باستخدام الحز الموجود على الوصلة.



يظهر في الشكل رقم 4. تركيب وصلة عمود الإدارة على الجانب المعاكس للمُشغّل.

تحديد إشارة التحكم في المُشغّل (لطرز MS7503 فقط)

تتم التحديدات باستخدام قرص يظهر على كل من مقدمة المحرك وخلفه (انظر الشكل رقم 5). لتحديد إشارة التحكم، ما عليك سوى تحويل وضع قرص التحديد إلى الوضع المطلوب (كما هو موضح في ملصق الجهاز) دون تجاوز مؤشرات النطاق.



يظهر في الشكل رقم 5. قرص إشارة التحكم.

تحذير

مخاطر تلف المحرك. يُمكن للأبخرة التآكلية والأدخنة الحمضية أن تُتلف الأجزاء المعدنية والبلاستيكية للمنتج. ينبغي تركيب المحرك في المناطق الخالية من الأدخنة الحمضية وغيرها من الأبخرة ذات الخصائص التدهورية.

تحذير

خطر تلف المعدات. قد يؤدي الإفراط في إحكام ربط المُشغّل بهيكل المخمد إلى تلف المُشغّل. رُكّب المُشغّل للسماح له بالطفو على طول محوره العمودي.

مرحلة التجهيز

قبل تركيب المُشغّل على عمود إدارة المخمد، حدد ما يلي:
- اتجاه فتح المخمد/ الصمام للحصول على دوران صحيح لزنبك الارتداد. يُمكن تركيب المُشغّل لتوفير ارتداد زنبكي في اتجاه عقارب الساعة أو عكسه عن طريق قلب أو عكس الوحدة.
- حجم عمود المخمد (انظر قسم المواصفات).

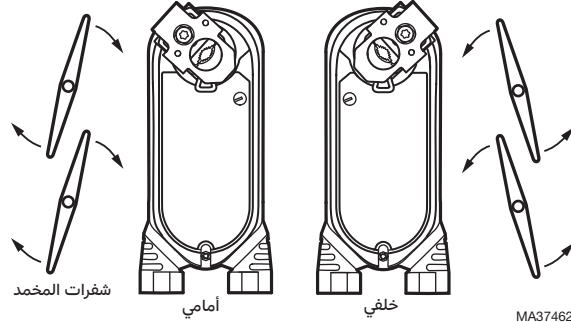
تحديد الاتجاه المناسب للتركيب

صُمّمت المُشغّلات لفتح أي مخمد عن طريق تشغيل عمود المخمد في اتجاه عقارب الساعة أو عكسه (انظر الشكل رقم 3).

ملاحظات:

- تُشحن المُشغّلات في الوضع المغلق تمامًا (الارتداد الزنبكي).
- يُشير الحز الموجود على المهائئ إلى موقع على المصلق من شأنه الإشارة إلى موضع دوران الموزع المركزي.

اتجاه عقارب الساعة للإغلاق (الوضع الآمن من التعطل)
عكس اتجاه عقارب الساعة للإغلاق (الوضع الآمن من التعطل)
اتجاه عقارب الساعة للفتح
عكس اتجاه عقارب الساعة للفتح



يظهر في الشكل رقم 3. اتجاه تركيب المُشغّلات المقرونة مباشرة بزنبك الارتداد.

قياس طول عمود إدارة المخمد/الصمام

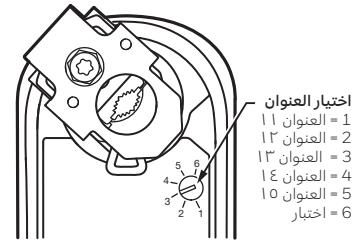
إذا كان طول عمود الإدارة أقل من 3.25 بوصة لـ SCSA، فيجب أن تقع وصلة عمود الإدارة بين المخمد/الصمام ومبيت المُشغّل. أما إذا كان طول عمود الإدارة أكثر من ثلاث بوصات، فقد يكون موقع وصلة عمود الإدارة على جانبي هيكل المُشغّل. وإذا لزم نقل الوصلة من أحد جانبي المُشغّل إلى الجانب الآخر، اعكس اتجاه الارتداد الزنبكي واقرب المُشغّل. اتبع هذه التعليمات (انظر الشكل رقم 4):

1. أزل مشبك التثبيت من وصلة عمود الإدارة ووضعه جانبًا للاستخدام في وقت لاحق.
2. أزل وصلة عمود الإدارة من أحد جانبي المُشغّل.
3. استبدل وصلة عمود الإدارة على الجانب الآخر للمُشغّل مع محاذاها على أساس تحديد الشوط.

لطرز MS31XX فقط

تتوفر هذه المُشغَّلات مع وعاء اختيار عنوان Syk.

ملاحظات: هناك 5 عناوين Syk فعالة يمكنك الاختيار من بينها. على سبيل المثال، لتحديد عنوان Syk رقم 1.1، انقل وعاء الرهان إلى 1.



يظهر في الشكل رقم 6. قرص "اختيار العنوان".

الشوط غير القياسي

تقليل حد الشوط الميكانيكي

بالنسبة للاستخدامات التي تتطلب مد يقل عن 95 درجة، يُمكن إجراء تعديل بسيط. عند تغيير التثبيت الدوراني لوصلة عمود الإدارة، فإن المُشغَّل يؤدي أقل مما هو الحال مع الشوط 95 درجة. الشوط قابل للتعديل بزيادة 7.5 درجة. بمجرد الضبط، يعمل المُشغَّل حتى تصل وصلة عمود الإدارة إلى الإيقاف الميكانيكي (جزء من الهيكل). يتسبب الإيقاف في توقف المُحرك عن العمل ولا تؤدي وصلة عمود الإدارة أكثر من ذلك. وعند عودة المُشغَّل، يتوقف عند الوضع الآمن من التعطل. الحد الميكانيكي للوضع الأدنى محظور. استخدم حد إلكتروني أو برمجي إذا لزم الأمر.

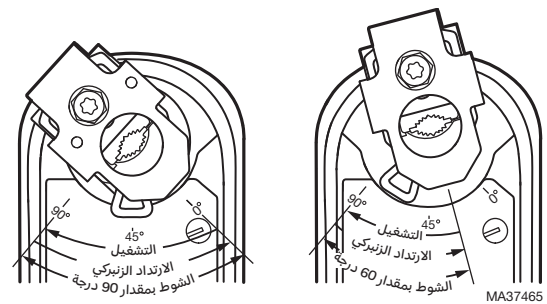
للحد من نطاق الشوط، تابع كما يلي:

1. أزل مشبك التثبيت من وصلة عمود الإدارة وضعه جانبًا للاستخدام في وقت لاحق.
2. أزل وصلة عمود الإدارة من المُشغَّل.
3. ينبغي تدوير الوصلة إلى المكان المطلوب، ومن ثم محاذاها على أساس تحديد الشوط. انظر الشكل رقم 7.

ملحوظة: يُحدد موقع وصلة عمود الإدارة مسافة الحركة.

مثال: يؤدي ضبط وصلة عمود الإدارة عند وضع تقريبي آمن من التعطل بمقدار 30 درجة (كما هو موضح) إلى الحد من الشوط بمقدار 60 درجة. (انظر الشكل رقم 7)

4. ركب وصلة عمود الإدارة في هذا المكان.
5. استبدل مشبك التثبيت الموجود على وصلة عمود الإدارة باستخدام الحز الموجود على الوصلة.



يظهر في الشكل رقم 7. الحد من الشوط.

التركيب

تحذير

خطر تعطل الجهاز.

يتسبب الإفراط في ربط وصلة عمود الإدارة في تعطل الجهاز. ينبغي ربط وصلة عمود الإدارة بعزم مناسب لمنع انزلاق عمود إدارة المخمد.

تحذير

خطر إتلاف المُشغَّل.

سبب استخدام المُشغَّل على أنه محمل عمود الإدارة تلف الجهاز.

استخدم المُشغَّل فقط لتوفير العزم الدوراني. ينبغي تجنب أي أحمال جانبية لمحمال وصلة خارج المُشغَّل.

تحذير

خطر تلف المعدات.

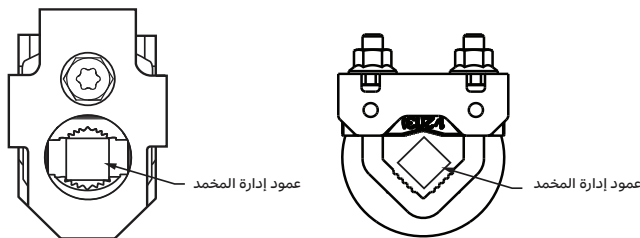
وذلك قد يتلف المحرك دون جدوى لأي إصلاح.

ممنوع منعًا باتًا إدارة عمود المحرك باليد أو باستخدام مفتاح ربط. قد يؤدي تدوير عمود المحرك عنوة إلى إتلاف مجموعة التروس.

لتركيب المُشغَّل على عمود إدارة خارجي للمخمد، تابع كما يلي:

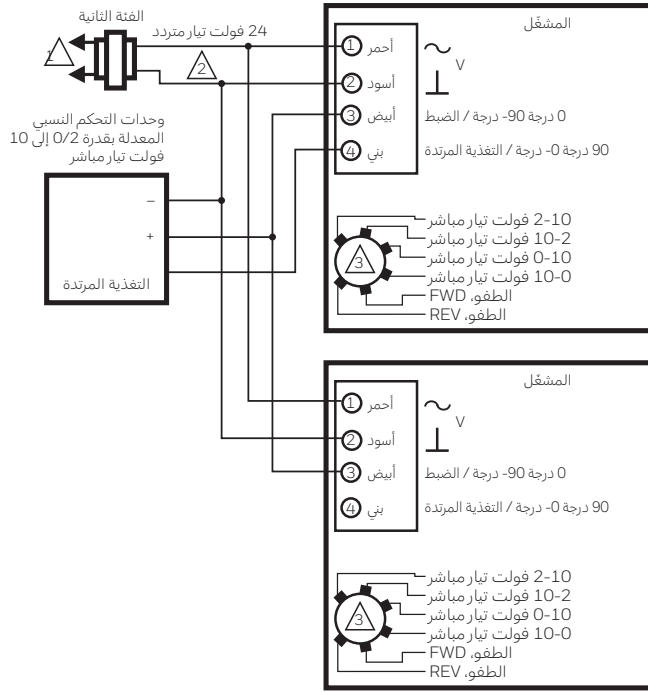
1. ضع المُشغَّل على عمود إدارة المخمد؛ يجب تركيب دعامة التثبيت في مكانها. انظر الشكل رقم 9.
2. ضع علامات لثقوب البراغي على هيكل المخمد.
3. أزل المُشغَّل ودعامة التثبيت.
4. اثقب في الهيكل لتركيب براغي التثبيت (أو استخدم براغي معدنية مقاس 10 ذاتية التثبيت).
5. أدر شفرات المخمد إلى الوضع الطبيعي (المغلق) المطلوب.
6. ضع المُشغَّل ودعامة التثبيت مرة أخرى في مكانهما وأحكام ربط الدعامة في مربع المخمد باستخدام المسامير المعدنية.
7. باستخدام مفتاح ربط مقاس 10 ملم، أحكم ربط وصلة عمود الإدارة في عمود إدارة المخمد عند أقصى عزم 106 رطل/بوصة، (12 ن/م).

ملحوظة: انظر الشكل رقم 8 للتعرف على التركيب الصحيح في عمود المخمد المربع.



يظهر في الشكل رقم 8. التركيب الصحيح لعمود المخمد المربع.

لتحقيق معدل حماية الدخول IP54، ينبغي تركيب المُشغَّل وفقًا للشكل رقم 9، يُطبق IP54 على جميع أوضاع التركيب باستثناء وضع الكابل لأعلى (مشطوب) الشكل رقم 9.



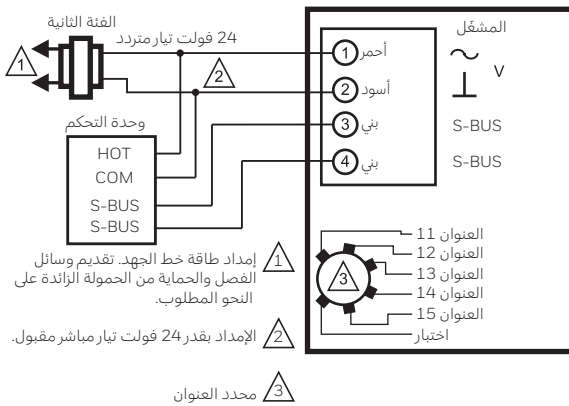
1 إمداد طاقة خط الجهد. تقديم وسائل الفصل والحماية من الحمل الزائدة على النحو المطلوب.

2 الإمداد بقدر 24 فولت تيار مباشر مقبول.

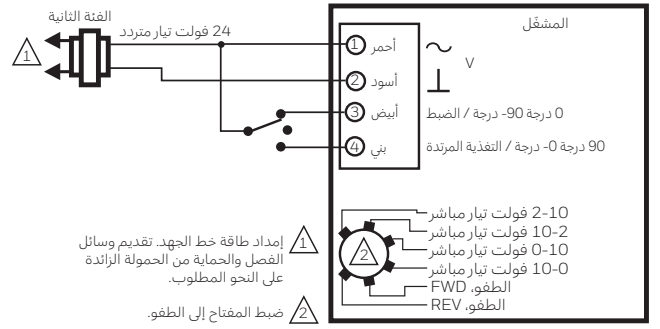
3 تعيين المفتاح إلى الضبط إذا كان متوفرًا.

MA37322

يظهر في الشكل رقم 16. أسلاك المُشغلات المتعددة لتشغيل وحدة التحكم النسبي المعدلة (10-0/2 فولت تيار مباشر)، للطرز MS75 وMS71 (كما هو موضح).

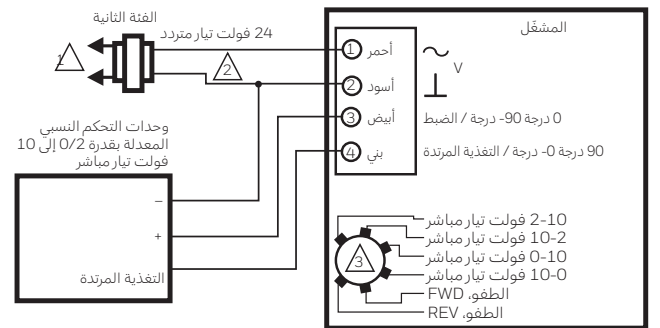


يظهر في الشكل رقم 17. أسلاك وحدة التحكم SYLK BUS للطرز MS3103.



MA37319

يظهر في الشكل رقم 13. أسلاك التحكم في الطفو للطرز MS75.



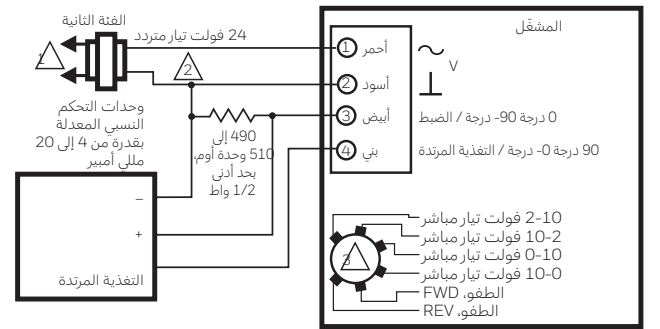
1 إمداد طاقة خط الجهد. تقديم وسائل الفصل والحماية من الحمل الزائدة على النحو المطلوب.

2 الإمداد بقدر 24 فولت تيار مباشر مقبول.

3 تعيين المفتاح إلى الضبط إذا كان متوفرًا.

MA37320

يظهر في الشكل رقم 14. أسلاك التحكم النسبي المعدلة (10-0/2 فولت تيار مباشر)، للطرز MS75 وMS71 (كما هو موضح).



MA37321

يظهر في الشكل رقم 15. أسلاك وحدات التحكم النسبي المعدلة بقدرة 4-20 ملي أمبير، للطرز MS75 وMS71 (كما هو موضح).

تحذير

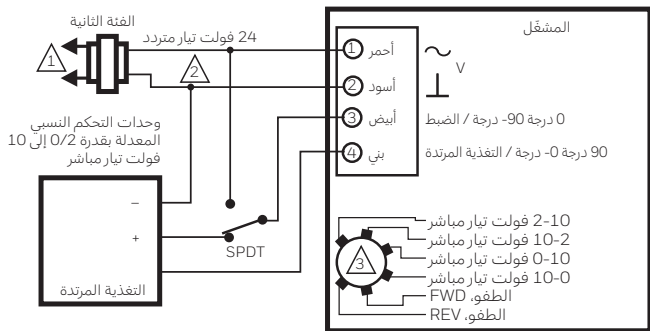
لا تستخدم وضع الاختبار السريع عند التشغيل الدائم. وفي حالة استخدامه باستمرار، ينخفض العمر الافتراضي للمُشغَّل. حيث إن الغرض من هذا الوضع هو التشغيل المبدئي/اختبار النظام بعد التركيب فقط. لم يتم تحديد استهلاك الطاقة في هذا الوضع.

المفاتيح المساعدة

بعض الطُزُر بها مفاتيح مساعدة. للاطلاع على تفاصيل الأسلاك، انظر الشكل رقم 10.

تجاوز المُشغَّل

- لتجاوز إشارة التحكم (للمحماية من التجميد أو التطبيقات المشابهة):
1. التجاوز إلى الوضع المفتوح تمامًا (بدء التشغيل السريع، وضع التشغيل أقل من 30 ثانية):
 - a. افصل إشارة الدخل (من الوحدة الطرفية رقم 3).
 - b. تطبيق 24 فولت تيار متردد على الوحدة الطرفية رقم 3.
 - c. انظر الشكل رقم 19.
 2. العودة إلى الوضع المغلق تمامًا:
 - a. افصل إشارة الدخل (من الوحدة الطرفية رقم 3).
 - b. انظر الشكل رقم 20.



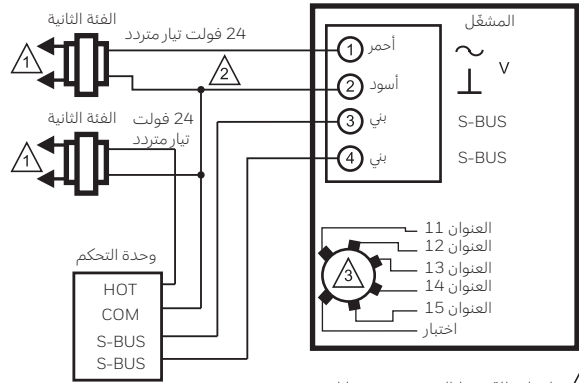
1. إمداد طاقة خط الجهد. تقديم وسائل الفصل والحماية من الحمولات الزائدة على النحو المطلوب.

2. الإمداد بقدر 24 فولت تيار مباشر مقبول.

3. تعيين المفتاح إلى الضبط إذا كان متوفرًا.

MA37323

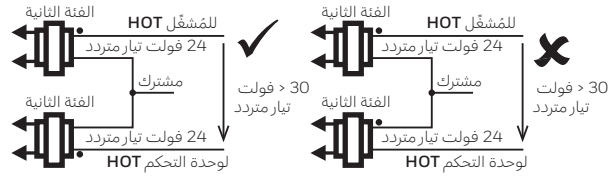
يظهر في الشكل رقم 19. التجاوز إلى الوضع المفتوح.



1. إمداد طاقة خط الجهد. تقديم وسائل الفصل والحماية من الحمولات الزائدة على النحو المطلوب.

2. الإمداد بقدر 24 فولت تيار مباشر مقبول.

3. محدد العنوان



ملاحظات: ملاحظات: عند استخدام محولين في التثبيت، تأكد من توصيل الأرجل المناظرة للملفات الثانوية كـ "مشترك". تحقق من الجهد كما هو موضح في الصورة وتأكد من أنه أقل من 30 فولت تيار متردد. وإذا لم يكن كذلك، قم بتبديل أرجل ملف واحد ثانوي.

يظهر في الشكل رقم 18. 18 الأسلاك لوحدة تحكم ناقل SYLK مع محولات منفصلة، MS3103.

التشغيل

الغرض من تصميم المُشغَّل استخدامه في تركيبات التهوية وتكييف الهواء لتشغيل الصمامات، والمخمدات، ولوحات التهوية وقتحاتها. (لمعرفة التصنيف، انظر قسم المواصفات) في حالة انقطاع التيار الكهربائي، سيفقوم المُشغَّل بارتداد زبريكي إلى الوضع الآمن من التعطل. عند استخدام وحدة تحكم تناسبية والمُشغَّل على الوضع (0) - 10، يدفع المُشغَّل تجاه الوضع المفتوح تمامًا عند زيادة إشارة الدخل؛ بينما يدفع المُشغَّل تجاه الوضع المغلق تمامًا عند خفض إشارة الدخل. ويتوقف المُشغَّل عندما تصل إشارة الدخل إلى نقطة التحكم التناسبية المطلوبة. ويدفع في الاتجاه المعاكس عندما يكون المُشغَّل على الوضع (0) - 10.

مهم

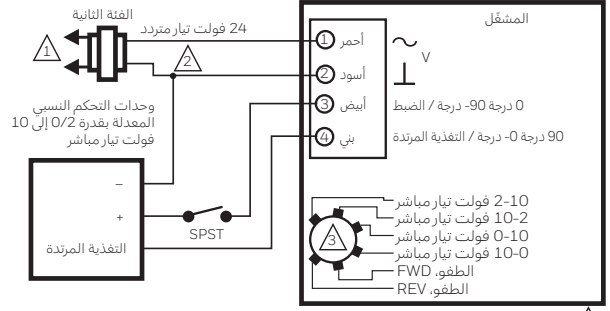
ضمم المُشغَّل للاستجابة إلى التحكم الرقمي المباشر وحدة تحكم إغلاق الاتصال الفوري. ينبغي عدم تقصير دائرة المُشغَّل. قد يؤدي عدم استقرار وحدة تحكم المخمد إلى تعطل المُشغَّل السابق لأوانه.

وضع التشغيل السريع (تعديل وضع التحكم واتصال SYLK فقط)

عند تطبيق إشارة 24 فولت تيار متردد أو 24 فولت تيار مباشر على الإدخال المعدل أو على مُشغَّل الاتصال SYLK، يتم تحديد الوضع 6 (اختبار). فإن المُشغَّل سوف يقود إلى الوضع المفتوح بالكامل بسرعة أعلى تتوافق مع توقيت 30 ثانية. وعند قطع الإشارة، يعمل المُشغَّل في الوضع المغلق تمامًا مع توقيت التشغيل العادي.

تشغيل الارتداد الزبريكي

1. ركب المُشغَّل للاستخدام المطلوب (إما في اتجاه عقارب الساعة أو عكسه لفتح المخمد).
 2. توصيل مصدر الطاقة والأسلاك المشتركة. (انظر الشكل رقم 10 والجدول رقم 3)
 3. اضبط قرص "تحديد الوضع" على إشارة التحكم المطلوبة. (انظر الشكل رقم 5)
 4. طَبِّق إشارة التحكم للوضع 50% للمُشغَّل.
- أ. إشارة إدخال فولت تيار مباشر: طَبِّق إشارة بقدرة 5-6 فولت تيار مباشر للتحكم في السلك (الأبيض). انظر الشكل رقم 14.
- ب. إشارة إدخال بالملي أمبير: طَبِّق إشارة بقدرة 10-12 ملي أمبير للتحكم في السلك (الأبيض). انظر الشكل رقم 14.
- ج. الطفو: طَبِّق 24 فولت تيار متردد عند 0-90 (3) درجة مئوية أو 0-90 (4) درجة مئوية مناسبة على السلك حتى يصل الجهاز إلى نسبة 50%.
5. السماح للمُشغَّل بالدفع تجاه الوضع 50%.
 6. فصل سلك الطاقة (الأحمر).
 7. يعود زبريك المُشغَّل إلى الوضع 0%.
 8. أعد توصيل سلك الطاقة (الأحمر)، وسيعود المُشغَّل للدفع إلى الوضع 50%.



1 إمداد طاقة خط الجهد. تقديم وسائل الفصل والحماية من الحمولة الزائدة على النحو المطلوب.

2 الإمداد بقدرة 24 فولت تيار مباشر مقبول.

3 تعيين المفتاح إلى الضبط.

MA37324

يظهر في الشكل رقم 20. العودة إلى موقف مغلق.

فحص المنتج

التشغيل المعدل/تشغيل الطفو

1. ركب المُشغَّل للاستخدام المطلوب (إما في اتجاه عقارب الساعة أو عكسه لفتح المخمد).
 2. توصيل مصدر الطاقة والأسلاك المشتركة. (انظر الشكل رقم 10 والجدول رقم 3)
 3. اضبط قرص "تحديد الوضع" على إشارة التحكم المطلوبة. (انظر الشكل رقم 5)
 4. طَبِّق إشارة التحكم للمُشغَّل من أجل الوضع المفتوح تمامًا أو المغلق تمامًا. (انظر الشكل رقم 10 والجدول رقم 3)
- أ. 10-2 فولت تيار مباشر: طَبِّق إشارة بقدرة 10 فولت تيار مباشر للتحكم في السلك (الأبيض).
- ب. 10-2 فولت تيار مباشر: طَبِّق إشارة بقدرة 2(0) فولت تيار مباشر للتحكم في السلك (الأبيض).
- ج. 20(0) 4-ملي أمبير: طَبِّق إشارة بقدرة 20 ملي أمبير للتحكم في السلك (الأبيض).
- د. 20(0) 4-ملي أمبير: طَبِّق إشارة بقدرة 4(0) ملي أمبير للتحكم في السلك (الأبيض).
- هـ. الطفو: طَبِّق 24 فولت تيار متردد عند 0-90 درجة مئوية مناسبة على السلك (الأبيض) أو 0-90 درجة مئوية على السلك (البيني).
5. يدفع المُشغَّل تجاه الوضع المفتوح تمامًا.
 6. طَبِّق إشارة التحكم للوضع 0% للمُشغَّل. (انظر الشكل رقم 10 والجدول رقم 3)

- أ. 10-2 فولت تيار مباشر: طَبِّق إشارة بقدرة 2(0) فولت تيار مباشر للتحكم في السلك (الأبيض).
- ب. 10-2 فولت تيار مباشر: طَبِّق إشارة بقدرة 10 فولت تيار مباشر للتحكم في السلك (الأبيض).
- ج. 20(0) 4-ملي أمبير: طَبِّق إشارة بقدرة 4(0) ملي أمبير للتحكم في السلك (الأبيض).
- د. 20(0) 4-ملي أمبير: طَبِّق إشارة بقدرة 20 ملي أمبير للتحكم في السلك (الأبيض).
- هـ. الطفو: طَبِّق 24 فولت تيار متردد عند 0-90 درجة مئوية مناسبة على السلك (الأبيض) أو 0-90 درجة مئوية على السلك (البيني).
7. يدفع المُشغَّل تجاه الوضع المفتوح تمامًا.

تشغيل التغذية المرتدة

1. ل مقياس متعدد، واضبطه على فولت التيار المباشر، بسلك مشترك (الأسود) والتغذية المرتدة (البيني).
2. طَبِّق الإشارة ذاتها كما ورد في الخطوة 4 من عملية الضبط.
3. تزداد قراءة المقياس المتعدد لتطابق إشارة الدخل أثناء دفع المُشغَّل تجاه الوضع المفتوح تمامًا أو المغلق تمامًا.
4. طَبِّق الإشارة ذاتها كما ورد في الخطوة 6 من عملية الضبط.
5. تتناقص قراءة المقياس المتعدد لتطابق إشارة الدخل أثناء دفع المُشغَّل تجاه الوضع 0%.

الفحص المباشر

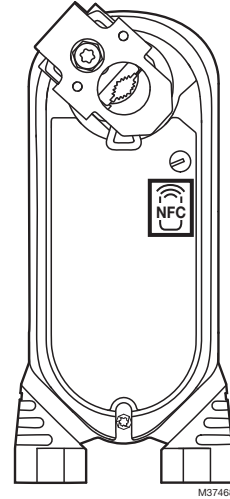
1. ركب المُشغَّل للاستخدام المطلوب (إما في اتجاه عقارب الساعة أو عكسه لفتح المخمد).
2. تحقق من موضع المخمد وتأكد من وجود فولت تيار مباشر/فولت تيار متردد بقدرة 24 في التوصيات المناسبة. (انظر الشكل رقم 10)
3. طَبِّق إشارة التحكم على التوصيلات المناسبة لنقل المخمد إلى الوضع المقابل. يجب أن يدفع المُشغَّل المخمد أو الصمام.
4. في حالة عدم تشغيل المُشغَّل، تحقق من تركيبه على النحو الصحيح إما في اتجاه عقارب الساعة أو عكسه.
5. أما إذا تم تركيب المُشغَّل على النحو الصحيح ولا يعمل، فاستبدله.

فحص (S-BUS) الذي يدعم Sylk

1. ركب المُشغَّل للاستخدام المطلوب (إما في اتجاه عقارب الساعة أو عكسه لفتح المخمد).
2. قم بتوصيل وحدة تحكم (S-BUS) التي تدعم Sylk بالمحطات الطرفية 3 و4.
3. قم بتوصيل الطاقة بالمحطات الطرفية 1 و2.
4. حدد العنوان المناسب على القرص لتتوافق مع العنوان الذي ترغب في استخدامه (كما هو موضح في الجدول بجانب القرص).
5. قم بتطبيق أمر S-BUS عبر وحدة التحكم التي تدعم Sylk المتصلة بها لوضع المُشغَّل.
6. يمكن تحديد وضع الاختبار المحلي (وضع بدء التشغيل السريع) عن طريق تحديد الموضع 6 في قرص محدد العنوان. تذكر إعادة تعيين القرص إلى الإعدادات المناسبة لعنوانك الذي تختاره بعد اكتمال الاختبار.

وصف NFC

- يتوافق الجهاز مع ISO/IEC 14443A.
- يُمكن استخدام NFC لتوصيل المُشغَّل بجهاز مزود بـ NFC.
- يوضح الشكل رقم 21 موقع منطقة الوصول إلى NFC.
- إذا كانت نقطة وصول NFC تواجه المخدم، قد يكون الوصول المحدود من الحافة على جانب أسلاك الطاقة ممكنًا حسب التركيب وقدرات الجهاز المزود بـ NFC.



يظهر في الشكل رقم 21. موقع منطقة وصول NFC.

تعليمات الأمان

يُوصى بالمتابعة الفعلية، مثل خزانة أو غرفة معدات مقفلة أو أي موضع آخر للجهاز يقيد الوصول الفعلي إليه، لمنع العبث بالجهاز والتلاعب غير المصرح به بالمعلومات التي يمكن الوصول إليها عبر اتصال NFC واتصال SYLK. الاتصال بالجهاز عبر NFC مؤمّن باستخدام رقم التعريف الشخصي (PIN). وكل جهاز يُضبط سابقًا برقم PIN افتراضي للمصنع. رقم PIN الافتراضي للمصنع هو 2586 وهو مخصص لجميع أجهزة عائلة هذا المنتج. نوصي بتغيير رقم PIN الافتراضي إلى رقم PIN فريد للمستخدم، ويُمكن إلغاء PIN الفريد للمستخدم باستخدام رقم PIN الافتراضي للمصنع في أي وقت.

جدول المواد الخطرة في الصين

有害物质 المواد الخطرة						部件名称
多溴二苯醚 (إثيرات ثنائي الفيثيل متعدد البروم)	多溴联苯 (ثنائي الفيثيل متعدد البروم)	六价铬 (كروم سداسي)	镉 (كادميوم)	汞 (زئبق)	铅 (رصاص)	
0	0	0	0	0	X	印刷线路板 PCB
0	0	0	0	0	X	齿轮 التروس
0	0	0	0	0	X	接线端子 مجموعة الوحدات الطرفية
0	0	0	0	0	X	电机 مجموعة الوحدات الطرفية
0	0	0	0	0	X	弹簧 زنبرك

本表格依据 SJ/T 11364 的规定编制。

。O: 表示该有害物质在该部件所有均质材料中的含量均在 GB/T 26572 规定的限量要求以下

。X: 表示该有害物质至少在该部件的某一均质材料中的含量超出 GB/T 26572 规定的限量要求

" 未列入表内的其他部件，皆不含任何超出限量要求的限制使用物质。

لا تحتوي جميع المكونات الأخرى غير المدرجة في الجدول على مواد محظورة أعلى من المستوى المحدد.

استخدامك دليل Honeywell يعني موافقتك على أن Honeywell غير مسؤولة عن أي أضرار تنشأ عن أي استخدام أو تعديل مخالف لهذا الدليل. ستدافع عن شركة Honeywell والشركات التابعة لها وشركاتها الفرعية وتعويضها عن وضد أي التزام أو تكلفة أو أضرار، بما في ذلك أتعاب المحاماة الناشئة عن، أو الناتجة عن، أي تعديل منك يخالف دليل الاستخدام.

Honeywell Building Technologies

في الولايات المتحدة:
Peachtree Street NE 715
Atlanta, GA 30308
customer.honeywell.com

® علامة تجارية مسجلة بالولايات المتحدة
حقوق الطبع والنشر © لعام 2020 محفوظة لشركة
Honeywell International Inc.
31-00141M-06 M.S. نسخة منقحة بتاريخ 03-20
تمت الطباعة في الولايات المتحدة

Honeywell