

RP920A,B,C,D Modular Pneumatic Controllers

INSTALLATION INSTRUCTIONS

INSTALLATION

Adjustments Before Mounting

1. If a connection to port 4, 6, 7, or 8 (Fig. 2) is required, remove the self-tapping screw from port 8 and use the screw to tap the appropriate port.
2. Install 14003755-001 Barb Fitting and O-ring finger-tight in the appropriate port.
3. Reinstall the screw in port 8 if not used.
4. If a remote restriction is used for the primary sensor, block the internal air supply (adjustable after gage installation, but easier to adjust before installation):
 - a. Loosen the screw one turn (Fig. 3) and rotate the switchplate (light grey) 90 degrees counterclockwise to the sensor supply blocked position.
 - b. Retighten the screw and check for leaks. If a leak is found, reposition the switchplate.

NOTES:

- The switchplate screw must be tightened securely to prevent a false inoperative sensor condition.
- The compensation sensor on port 5 requires an external restricted main air supply.

Device Mounting

1. Mark and drill two No. 8 fastener mounting holes using the controller or Fig. 1 dimensions as a template.
2. Mount the controller with two No. 8 fasteners (not supplied).

Connections

1. Push the tubing on the port barb fittings according to the job drawings. See Fig. 2 for port locations.
2. Install the gage or plug:
 - a. If no gage is used, tighten gage plugs finger-tight. If a gage is used, remove the plug and, by hand, screw the gage into the gage port three turns.
 - b. If the gage is not oriented for correct viewing, rotate the gage counterclockwise until correct.

NOTE: A soft-rubber, factory-installed seal allows plug or gage rotation (for alignment) without leakage.

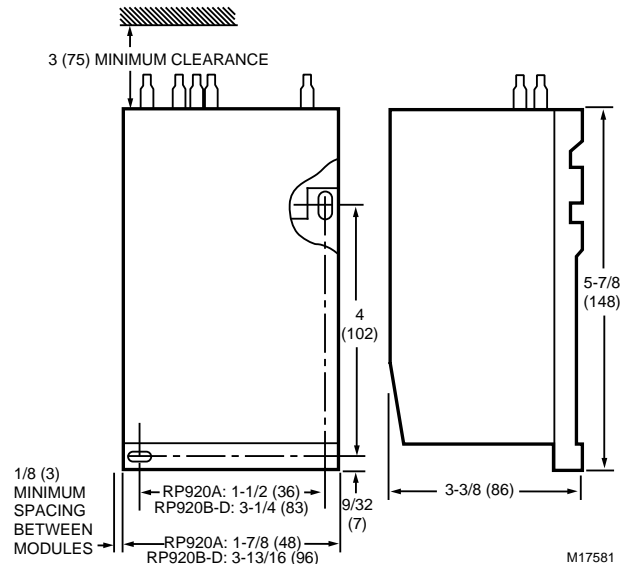


Fig. 1. RP920 Dimensions in in. (mm).

After Mounting Adjustments and Changes

Controller Action Change

1. Loosen the four Proportional Module screws (Fig. 4).
2. Remove the module.
3. Rotate the module and its gasket 180 degrees, and reinstall. Ensure that the notch on the module lines up with the proper indication on the controller label (base).
4. Retighten the four screws.
5. Recalibrate if required.

Negative (Winter) to Positive (Summer)

Compensation Change (RP920B and D only)

1. Loosen the four compensation module screws (Fig. 5).
2. Remove the module.
3. Rotate the module and its gasket 180 degrees, and reinstall. Ensure that the notch on the module lines up with the proper indication on the controller label (base).
4. Retighten the four screws.
5. Recalibrate, if required.



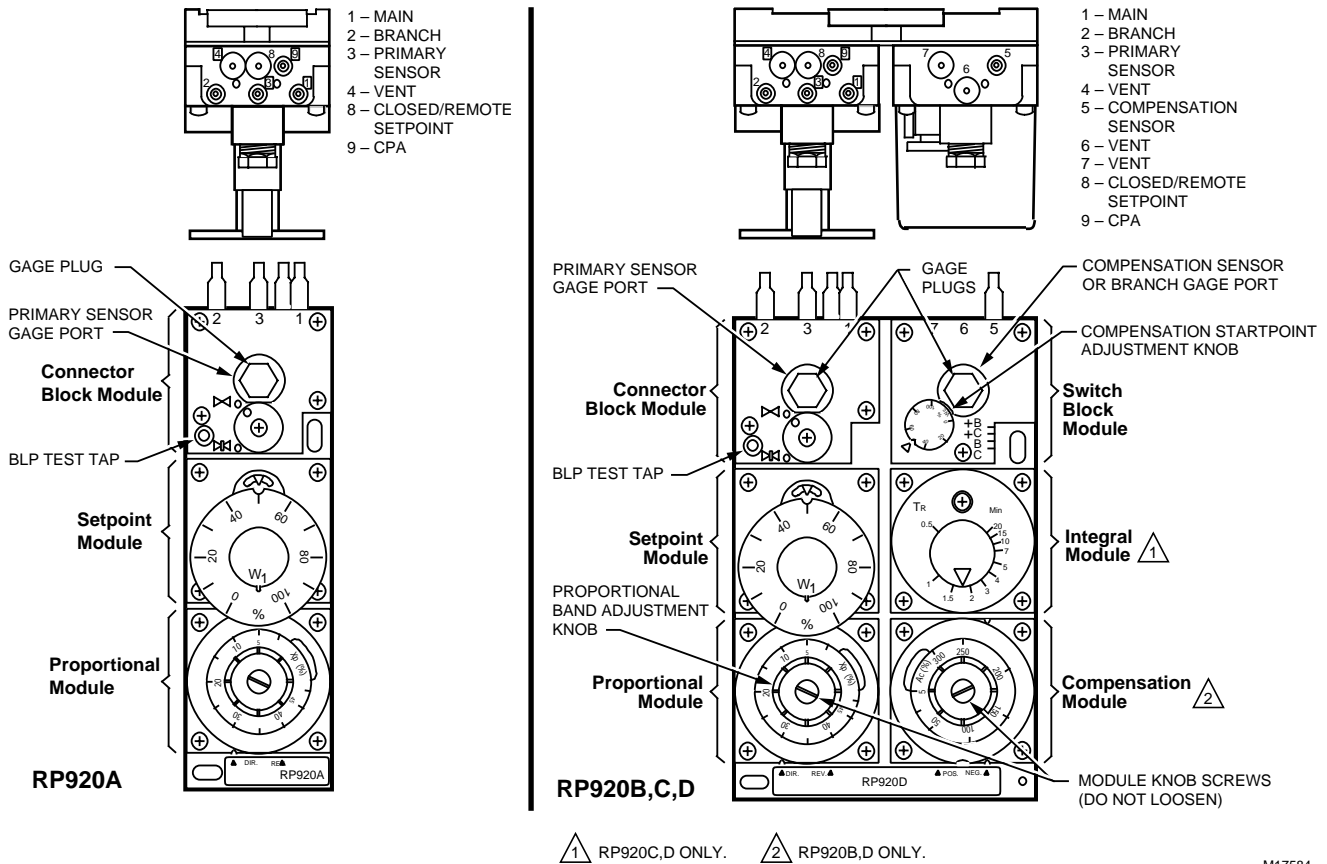


Fig. 2. Module and port Locations.

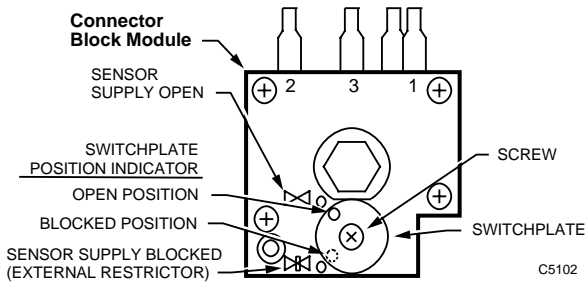


Fig. 3. Primary sensor air supply.

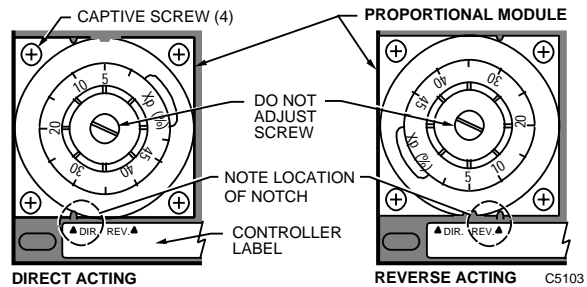


Fig. 4. Changing controller action.

Gage Function and Integral Action Cut-off Adjustment (RP920C and D)

The position of the gasket located under the switch block module (Fig. 2) determines the function of the field-installed Switch Block Module gage and enables/disables the integral action cut-off function. See Table 1 for factory and field settings.

Table 1. Switch Block Gasket Position.

Model	Field Setting ^a	Options
RP920B	B	C
RP920C	B	B+
RP920D	B	C, C+, B+

^a Shipped from the factory in this position.

B = Branch line gage.

C = Compensation sensor gage.

+ = Integral action cut-off enabled.

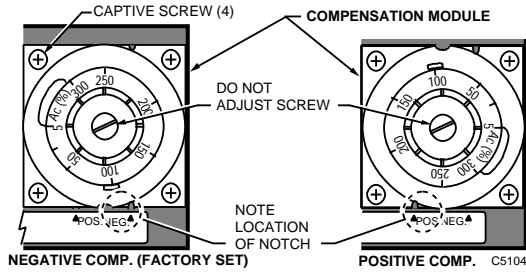


Fig. 5. Changing from negative to positive compensation.

1. Check the gasket tab position (Fig. 6, front view).
2. Loosen the three switch block module screws and remove the module.
3. Remove the gasket and note the letters (B, B+, C, C+) embossed on the module back.
4. Rotate and/or flip the gasket until the gasket position matches the functions desired (Fig. 6, back view).

NOTE: With the correct gasket position, only the desired letter shows.

5. Install the gasket on the switch block module back.
6. Reinstall the module, and tighten the three screws.
7. If used, connect the integral action cut-off switching components to ports 6 and 7.

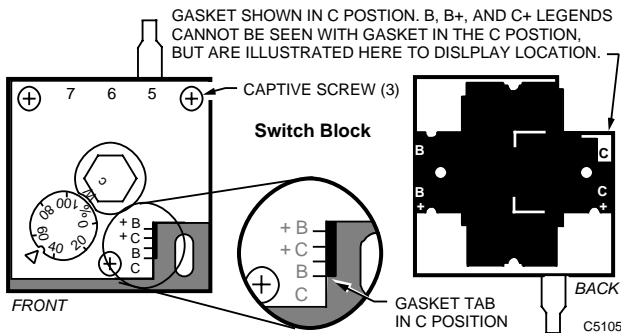


Fig. 6. Integral action cut-off and gage function gasket position.

Setpoint (W_1) Adjustment

The setpoint knob is embossed with a 0 to 100 percent scale which correlates with the values in Table 3 (see Appendix). Scaleplate overlays are included to directly match various sensor ranges.

Three methods of controlling setpoint (W_1) are available:

LOCAL SETPOINT

Adjust setpoint (W_1) directly on the controller.

Adjustments:

1. If using a scaleplate overlay, insert the overlay between the setpoint knob and the transparent overlay retainer. Note positions of the key and non-coded scaleplate overlay notch (Fig. 7).
2. Adjust the setpoint (W_1), according to the job drawings, using the setpoint knob.
3. If the control point deviates excessively from the setpoint (W_1), calibrate, taking the throttling range into consideration.

REMOTE SETPOINT

Setpoint (W_1) is controlled from 0 to 100 percent of the primary sensor span from a remote 3 to 15 psi (21 to 103 kPa) bleed-type signal.

Adjustments:

1. Adjust the setpoint knob to 100 percent (Fig. 7) or to the maximum remote setpoint limit to be applied.
2. Install the 14003755-001 Barb Fitting and O-ring to port 8 and connect to a bleed-type remote setpoint device (e.g., SP970) and a remote setpoint gage.

CONTROL POINT ADJUSTMENT (CPA)—AVAILABLE ON SPECIFIC MODELS

Local (baseline) setpoint (W_1) is adjusted on the controller and can be varied ± 15 percent of the primary sensor span from a remote 3 to 15 psi (21 to 103 kPa) signal.

Adjustments:

1. Pipe CPA to port 9.
2. If used, select the proper scaleplate overlay.
3. Note the position of key on the setpoint knob and the non-coded scaleplate overlay notch (Fig. 7) for controllers with U.S.A. labels. Controllers (RP920B,C,D) with German labels must use "R" coded scaleplate overlay notch when using a CPA device.
4. Insert the scaleplate overlay between the setpoint knob and the transparent overlay retainer.
5. Adjust the setpoint (W_1) according to the job drawings using the setpoint knob.

Proportional Band (X_p) Adjustment

Adjust the proportional band (X_p), according to the job drawings, using the proportional module proportional band adjustment knob (see Fig. 2).

⚠ CAUTION

Control Loss Hazard.

Loosening knob screws can induce controller leaks.

Use CCT819 and Authority Setting Adjustment Tool or a narrow, stiff-blade putty knife to rotate adjustment knobs (X_p and A_c).

Authority (A_c) Adjustment (RP920B and D only)

Adjust the authority (A_c), according to the job drawings, with the compensation module authority adjustment knob (see Fig. 2).

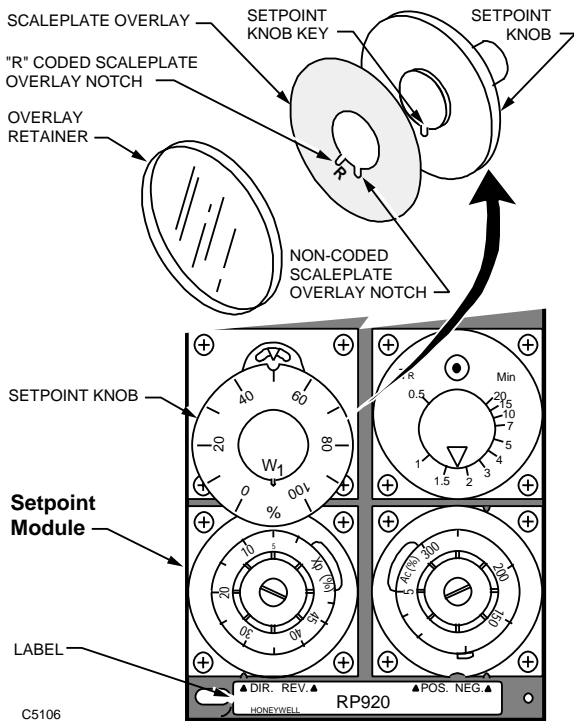


Fig. 7. Setpoint (W_1) Adjustment.

Compensation Startpoint (W_c) Adjustment (RP920B and D only)

Adjust the compensation startpoint (W_c), according to the job drawings (reset schedule), using the compensation startpoint adjustment knob (see Fig. 2). For direct-acting sensors, the knob setting is equal to the compensation value corresponding to the lowest value given for the primary sensor (from the reset schedule). See Fig. 9 and 10. If the value given is not a percentage, convert it to a percentage of the compensation sensor range using Table 3 (see Appendix):

1. Find the correct sensor range column.
2. Find the desired temperature in the column.
3. Read the equivalent pressure in the second column.
4. Read the equivalent percentage in the first column.

Reset Time (T_r) Adjustment (RP920C and D only)

Adjust the reset time (T_r), according to the job drawings, using the reset time adjustment knob (see Fig. 2):

1. Decrease setting until the system becomes unstable.
2. Increase the setting slightly until the system becomes stable.

Replacing Cover

1. If a cover is used, snap the cover straight on the front.
2. The cover can be secured further by tightening the self-tapping screw in the cover lower right corner.

CALIBRATION

Sensors

Sensors are calibrated to the system and require no separate calibration.

Systems

All RP920 Controllers are factory calibrated. It is intended that the controller be adjusted to the field-calculated values listed on the job drawing. This controller startup approach will be adequate for most systems. If it is determined that closer calibration is required, use the following procedures:

NOTES:

- The controller allows all adjustments to be made independently. For example, changing the proportional band (X_p) setting does not affect the calibration of the: setpoint (W_1), compensation startpoint (W_c), or authority (A_c) adjustment.
- If a CPA device is used, apply 9 psi (62 kPa) to port 9.
- If a remote setpoint is used, block port 8.

RP920A System

1. Install either:
 - a. a temporary receiver gage (matching the primary sensor) or a 0 to 30 psi (0 to 207 kPa) gage in the primary sensor gage port if one is not permanently installed, or
 - b. a “tee” gage into the sensor line (port 3).
2. Apply mainline pressure (MLP) to the system.
3. Install a 0 to 30 psi (0 to 207 kPa) gage in the branchline pressure (BLP) test tap (moisten the needle before inserting).
4. If the sensor reading is greater than ± 10 percent of the expected setpoint, remove the sensor tubing from port 3 and apply a pressure equivalent (expected setpoint) using a CCT816B Calibration Unit.

NOTE: For the most accurate calibration, the actual measured variable at the sensor must be ± 10 percent of the expected setpoint.

5. With the sensor at or near the desired control point, adjust the setpoint knob until the BLP equals the controlled device throttling range midpoint, e.g., 8 psi (55 kPa) for a 3 to 13 psi (21 to 90 kPa) range device.
6. If the setpoint (W_1) and primary sensor gage do not match, remove the setpoint knob and replace it so the setpoint matches the primary sensor gage reading.
7. Ensure W_1 is at the desired setpoint.
8. Calibration is complete.

RP920B Systems

1. Install in port 5 either a receiver gage that matches the compensation sensor, or a 0 to 30 psi (0 to 207 kPa) gage (see Fig. 8).

NOTE: If the controller is setup for a compensation gage in the right gage port, plug port 5 and use the existing gage.

2. Install a 0 to 30 psi (0 to 207 kPa) gage in BLP test tap or in BLP gage port if one is not permanently installed.
3. Apply MLP to the system.
4. Adjust the authority knob to minimum.
5. Adjust the compensation startpoint knob until the receiver gage (port 5) reads the pressure equivalent of the compensation startpoint (W_c) (Fig. 9 or 10).
6. If the compensation startpoint (W_c) and desired startpoint do not match, remove the knob and replace it so they do match.
7. The compensation startpoint (W_c) is now calibrated.

NOTE: The response of the receiver gage may be slow (up to one minute). The controller is not defective under these conditions.

8. Set up the CCT816B Calibration Unit (Fig. 11) to connect to port 3 (primary sensor).

NOTE: Sensors are not connected.

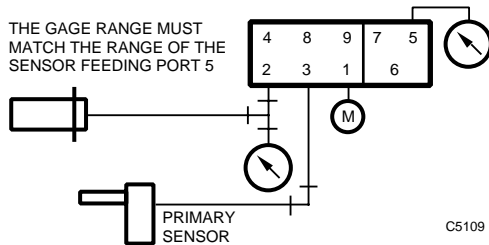


Fig. 8. Piping for RP920B compensation startpoint (W_c) setting.

9. Apply a pressure equivalent of the primary sensor value corresponding to the compensation start (*comp start*) on the reset schedule (Fig. 9 or 10).
10. Adjust the setpoint knob until the BLP equals the expected pressure of the controlled device at *comp start* conditions.
11. If needed, remove the setpoint knob and replace it so the setpoint matches the primary sensor value at *comp start*.
12. The setpoint (W_1) is now calibrated.
13. Set up the CCT816B Calibration Unit (Fig. 12) to connect to port 3 (primary sensor) and port 5 (compensation sensor).
14. Apply sensor input pressures equivalent to the full compensation on the building schedule.
15. Adjust the authority (A_c) knob until the BLP equals the expected pressure of the controlled device at full compensation conditions.
16. Calibration is complete.

IMPORTANT

Changing compensation startpoint (W_c) or setpoint (W_1) affects only the one corresponding value of the reset schedule, while changing authority (A_c) affects only the slope of the reset schedule.

NOTE: See the Compensation Startpoint (W_c) Adjustment section for more information.

17. Remove the CCT816B Calibration Unit and pipe sensors.

RP920C and D Systems

1. Remove the integral module screw (Fig. 13) and install the 14003755-001 Barb Fitting and O-ring in its place.
2. Apply 8 psi (55 kPa) to the integral module.
3. Calibrate the RP920:
 - a. RP920C: follow the procedure for the RP920A.
 - b. RP920D: follow the procedure for the RP920B except that the calibration value of the BLP for Steps 10 and 15 should both be 8 psi (55 kPa).
4. When calibration is complete, remove the barb fitting from the integral module and replace the screw.

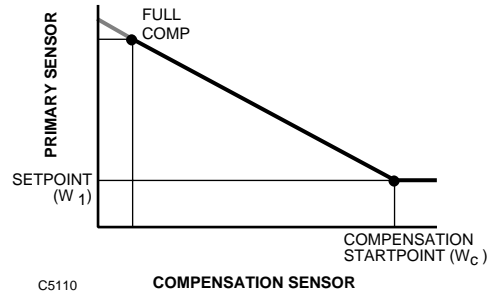


Fig. 9. Negative compensation calibration reset schedule.

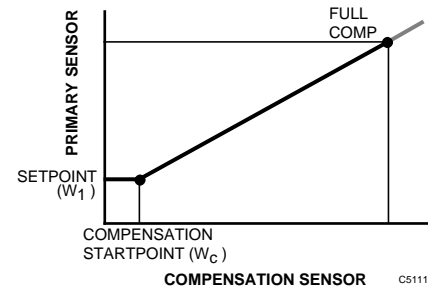


Fig. 10. Positive compensation calibration reset schedule.

RP920B Calibration Example

Assume the following conditions:

- A 10°F (5.6K) throttling range.
- Using a 2.5 to 6.5 psi (17 to 45 kPa) operator with a normally open (N.O.) valve where conditions are: 6.5 psi (45 kPa) with no load and 2.5 psi (17 kPa) with full load.
- See Fig. 14 for the schedule graph.
- See Table 2 for the reset schedule.

Table 2. Reset Schedule.

Compensation Range	Primary Sensor (Discharge)	Compensation Sensor (OA)
Start	120°F (49°C) (40%)	60°F (16°C) (50%)
Full	160°F (71°C) (60%)	0°F (-18°C) (20%)
Operating Span	40°F (22K)	60°F (33K)
Sensor Range	40 to 240°F (4 to 116°C)	-40 to 160°F (-40 to 71°C)

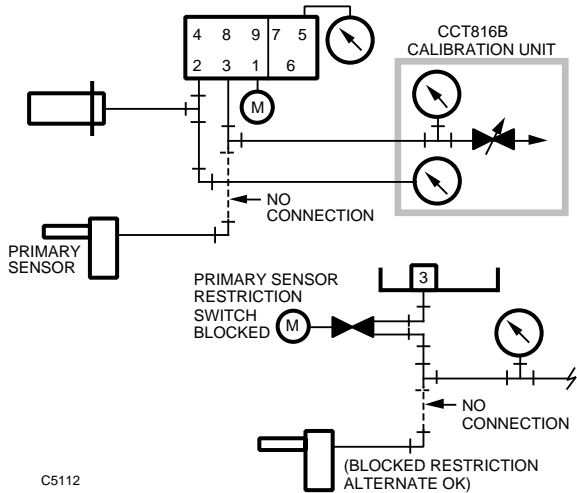


Fig. 11. RP920B setpoint (W_1) CCT816B Calibration Unit piping.

Initial Settings:

Setpoint (W_1) = 120°F (49°C) = 40% = 7.8 psi (53.8 kPa).

For Calibration Step 5:

Compensation sensor at start = Compensation startpoint (W_c)
 W_c = 60°F (15°C) = 50% = 9 psi (62 kPa)

For Calibration Step 9:

Primary sensor at start = 120°F (49°C) or 7.8 psi (53.8 kPa)

For Calibration Step 10:

Desired BLP = 6.5 psi (45 kPa)

For Calibration Step 15:

Primary sensor at full compensation =
 160°F (71°C) = 10.2 psi (70 kPa)

Compensation sensor at full compensation =
 0°F (-18°C) = 5.4 psi (37.2 kPa)

Expected BLP = 2.5 psi (17 kPa)

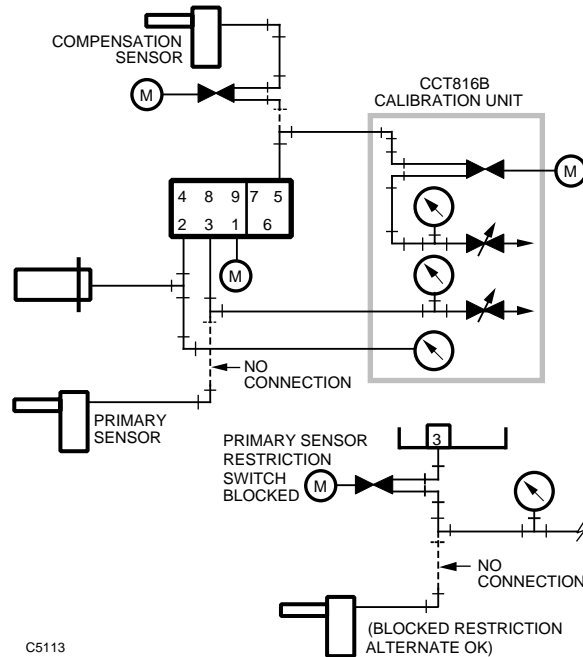


Fig. 12. RP920B authority (A_c) CCT816B Calibration Unit piping.

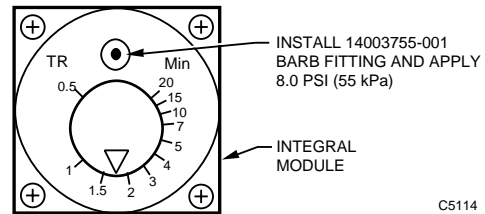


Fig. 13. Integral module piping.

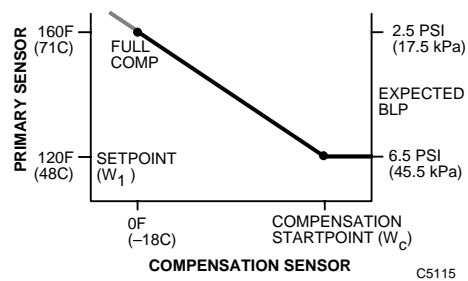


Fig. 14. Calibration example reset schedule.

Honeywell

Home and Building Control
 Honeywell
 1985 Douglas Drive North
 Golden Valley, MN 55422

Home and Building Control
 Honeywell Limited-Honeywell Limitée
 35 Dynamic Drive
 Scarborough, Ontario
 M1V 4Z9

Honeywell Asia Pacific Inc.
 Room 3213-3225
 Sun Hung Kai Centre
 No. 30 Harbour Road
 Wanchai
 Hong Kong

Honeywell Europe S.A.
 3 Avenue du Bourget
 1140 Brussels
 Belgium

Honeywell Latin American Region
 480 Sawgrass Corporate Parkway
 Suite 200
 Sunrise FL 33325

Régulateurs pneumatiques modulaires RP920A,B,C,D

NOTICE D'INSTALLATION

INSTALLATION

Réglage à effectuer avant l'installation

1. S'il faut une connexion aux orifices 4,6, 7 ou 8 (Fig. 2), retirer la vis autotaraudeuse de l'orifice 8 et utiliser la vis pour tarauder l'orifice adéquat.
2. Installer le raccord à crans 14003755-001 et le joint torique sur l'orifice adéquat et serrer à la main.
3. Replacer la vis dans l'orifice 8 s'il n'est pas utilisé.
4. Si on emploie un restricteur à distance avec le capteur primaire, bloquer l'orifice interne d'alimentation en air (il peut être réglé après l'installation du manomètre, mais il est plus facile de le régler avant) :
 - a. Dévisser la vis d'un tour (Fig. 3) et faire tourner la plaque de commutation de 90 degrés dans le sens antihoraire pour mettre l'alimentation du capteur en position bloquée.
 - b. Resserrer la vis et vérifier s'il y a des fuites. En cas de fuite, remplacer la plaque de commutation.

REMARQUES :

- La vis de la plaque de commutation doit être bien serrée pour éviter une fausse défaillance du capteur.
- Le capteur de compensation de l'orifice 5 exige l'emploi d'un restricteur externe de la canalisation principale d'alimentation en air.

Installation de l'appareil

1. À l'aide du régulateur comme gabarit ou après avoir consulté l'encombrement à la Fig. 1, marquer et percer deux ouvertures de montage pouvant recevoir des attaches n° 8.
2. Installer le régulateur au moyen de deux attaches n° 8 (non fournies).

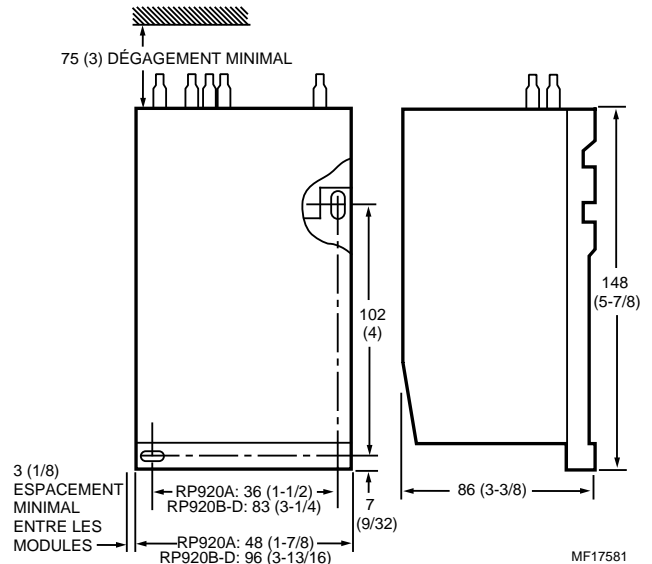


Fig. 1. Encombrement du RP920 en mm (po).

Raccordements

1. Pousser la canalisation sur le raccord à crans conformément aux plans de l'installation. Voir la Fig. 2 pour connaître l'emplacement des orifices.
2. Installer le manomètre ou le bouchon :
 - a. Si le manomètre n'est pas utilisé, resserrer à la main le bouchon de la prise de manomètre. Si un manomètre est utilisé, retirer le bouchon et, à la main, insérer le manomètre dans l'orifice réservé au manomètre en lui faisant faire trois tours.
 - b. Si le manomètre est mal orienté, le faire tourner dans le sens antihoraire jusqu'à ce que le cadran soit correct.

REMARQUE : Un joint de caoutchouc souple installé en usine permet de faire tourner le manomètre (pour le mettre dans la bonne position) sans provoquer de fuites.



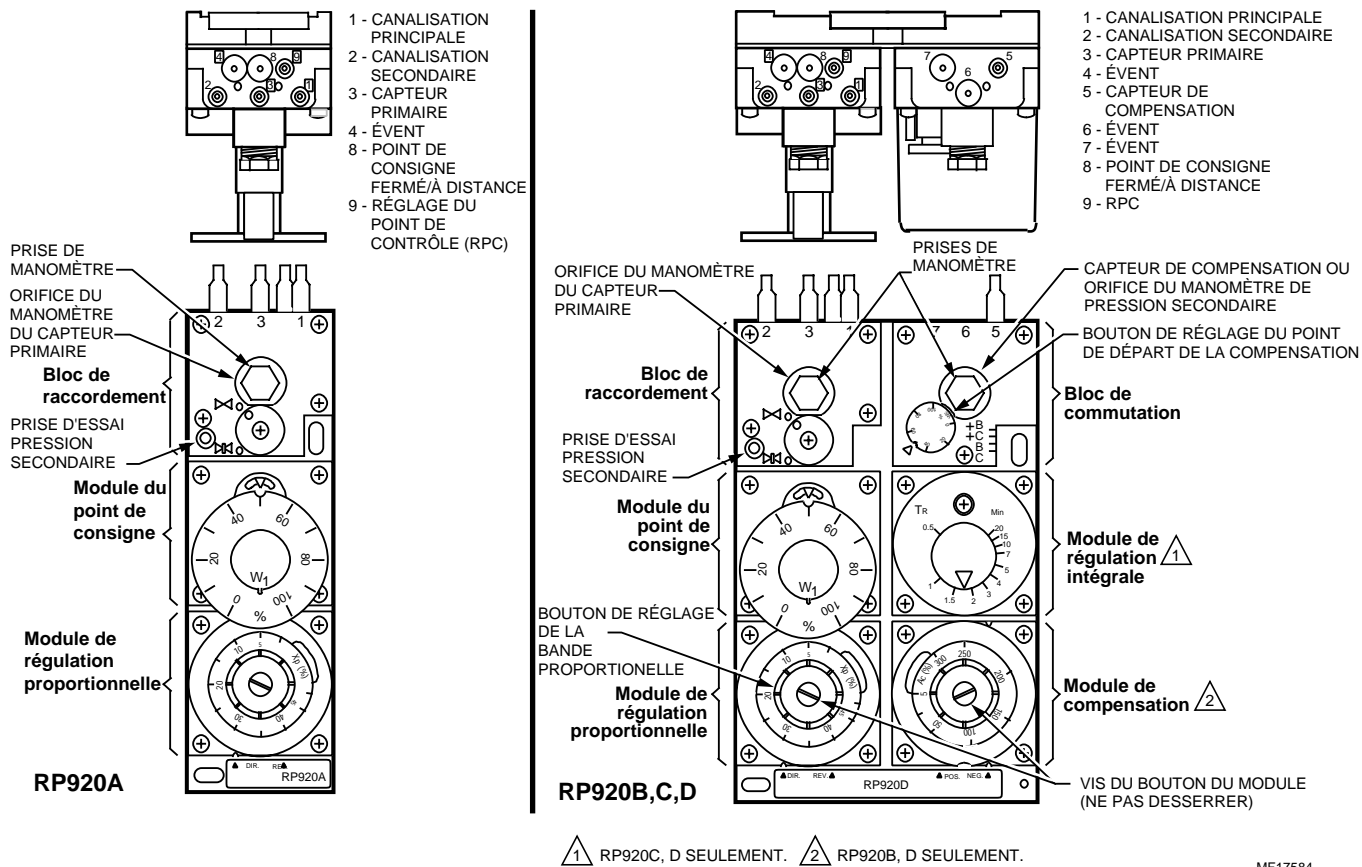


Fig. 2. Emplacement des modules et des orifices.

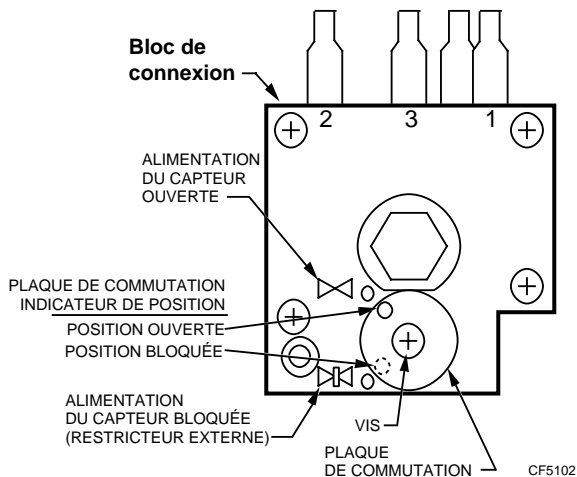


Fig. 3. Alimentation en air du capteur primaire.

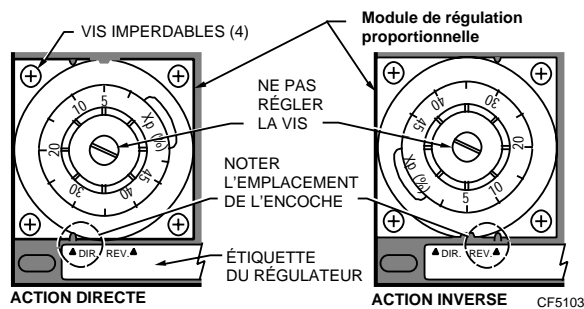


Fig. 4. Modification de l'action du contrôleur.

Ajustements et modifications après montage

Modification de l'action du régulateur

1. Dévisser les quatre vis (Fig. 4) du module de régulation proportionnelle.
2. Retirer le module.
3. Faire tourner le module et son joint d'étanchéité de 180 degrés, puis le réinstaller. S'assurer que l'encoche du module est vis-à-vis l'indication adéquate de l'étiquette du régulateur (base).
4. Resserrer les quatre vis.
5. Étalonner de nouveau, au besoin.

Passage de la compensation négative (hiver) à la compensation positive (été) (RP920B et D seulement)

1. Desserrer les quatre vis (Fig. 5) du module de compensation.
2. Retirer le module.
3. Faire tourner le module et son joint d'étanchéité de 180 degrés, puis le réinstaller. S'assurer que l'encoche du module est vis-à-vis l'indication adéquate de l'étiquette du régulateur (base).
4. Resserrer les quatre vis.
5. Étalonner de nouveau, au besoin.

Ajustement de la fonction manomètre et blocage de l'action intégrale (RP920C et D)

La position du joint d'étanchéité situé sous le module du bloc de commutation (Fig. 2) détermine la fonction du manomètre installé sur place sur le bloc de commutation. Elle détermine également si l'action intégrale est bloquée ou non. Voir le Tableau 1 pour connaître les réglages de l'usine et ceux qu'il est possible de faire sur place.

Tableau 1. Position du joint d'étanchéité du bloc de commutation

Modèle	Réglage de l'usine ^a	Options
RP920B	B	C
RP920C	B	B+
RP920D	B	C, C+, B+

^a Expédié de l'usine dans cette position.

B = Manomètre dans la canalisation secondaire.

C = Manomètre du capteur de compensation.

+ = Action intégrale bloquée.

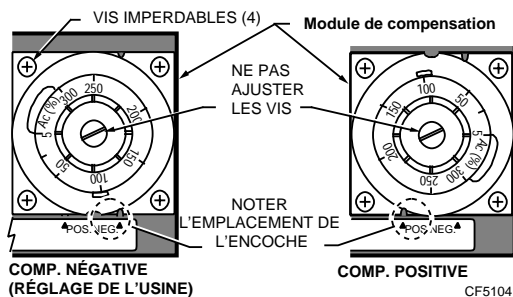


Fig. 5. Passage de la compensation négative à la compensation positive.

1. Vérifier la position de la languette du joint d'étanchéité (Fig. 6, vue du devant).
2. Dévisser les trois vis du bloc de commutation et retirer le module.
3. Retirer le joint d'étanchéité et remarquer les lettres (B, B+, C, C+) en relief sur le revers du module.
4. Faire tourner ou basculer le joint d'étanchéité jusqu'à ce que sa position corresponde à la fonction souhaitée (Fig. 6, arrière).

REMARQUE : Lorsque la position est la bonne, seule la lettre voulue est visible.

5. Installer le joint d'étanchéité au dos du module du bloc de commutation.
6. Réinstaller le module, puis resserrer les trois vis.

7. Raccorder les composants de commutation du blocage de l'action intégrale aux orifices 6 et 7, selon le cas.

Réglage du point de consigne (W_1)

Le bouton de réglage du point de consigne (W_1) est marqué en relief d'une échelle allant de 0 à 100 %; cette échelle correspond aux valeurs énumérées au Tableau 3 (voir Annexe). Plusieurs caches accompagnent le régulateur pour que le bouton de réglage puisse correspondre à diverses plages de service du capteur.

Il existe trois méthodes de réglage du point de consigne (W_1) :

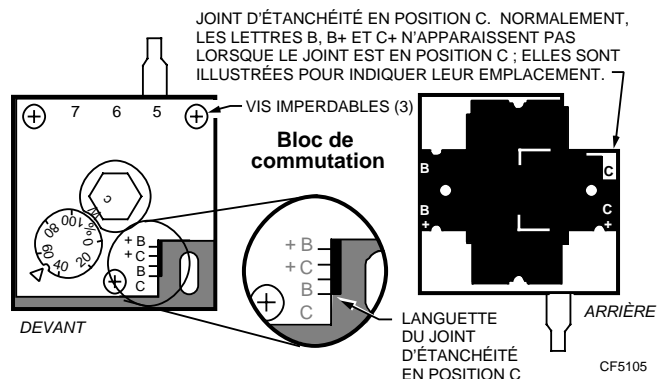


Fig. 6. Position du joint d'étanchéité selon la fonction du manomètre et le blocage de l'action intégrale.

POINT DE CONSIGNE LOCAL

Le bouton de réglage du point de consigne (W_1) est réglé directement au régulateur.

Ajustements :

1. Si on utilise un cache, insérer ce cache entre le bouton de réglage du point de consigne et la rondelle de retenue transparente. Noter la position de la clé et de l'encoche non codée du cache (Fig. 7).
2. Ajuster le point de consigne (W_1) selon les plans en utilisant le bouton de réglage du point de consigne.
3. Étalonner seulement si le point de contrôle s'écarte trop du point de consigne (W_1) en tenant compte de la bande proportionnelle.

POINT DE CONSIGNE À DISTANCE

Point de consigne (W_1) commandé de 0 à 100 % de la gamme du capteur primaire à partir d'un signal de type purge de 3 à 15 psi (21 à 103 kPa).

Ajustements :

1. Ajuster le bouton du point de consigne (W_1) à 100 % (Fig. 7) ou à la valeur de consigne maximale souhaitée.
2. Installer le raccord à crans 14003755-001 et le joint torique sur l'orifice 8 et raccorder à un appareil à point de consigne de type purge (par exemple à un SP970) et à un manomètre de point de consigne à distance.

RÉGLAGE DU POINT DE CONTRÔLE - OFFERT AVEC CERTAINS MODÈLES SEULEMENT

Le point de consigne (W_1) local (de référence) est ajusté au régulateur et peut varier de ± 15 % par rapport à l'intervalle du capteur primaire à partir d'un signal à distance de 3 à 15 psi (21 à 103 kPa).

Ajustements :

1. Installer une canalisation entre le dispositif de réglage du point de contrôle et l'orifice 9.
2. Sélectionner le cache adéquat, selon le cas.
3. Dans le cas de régulateurs portant une étiquette américaine, noter la position de la clé et de l'encoche non codée du cache (Fig. 7). Dans le cas de régulateurs portant une étiquette allemande (RP920B,C,D), utiliser le cache portant une encoche identifiée par la lettre R lorsqu'un appareil avec réglage du point de contrôle est employé.
4. Insérer le cache entre le bouton de réglage du point de consigne et la rondelle de retenue transparente.
5. Ajuster le point de consigne (W_1) selon les plans en utilisant le bouton de réglage du point de consigne.

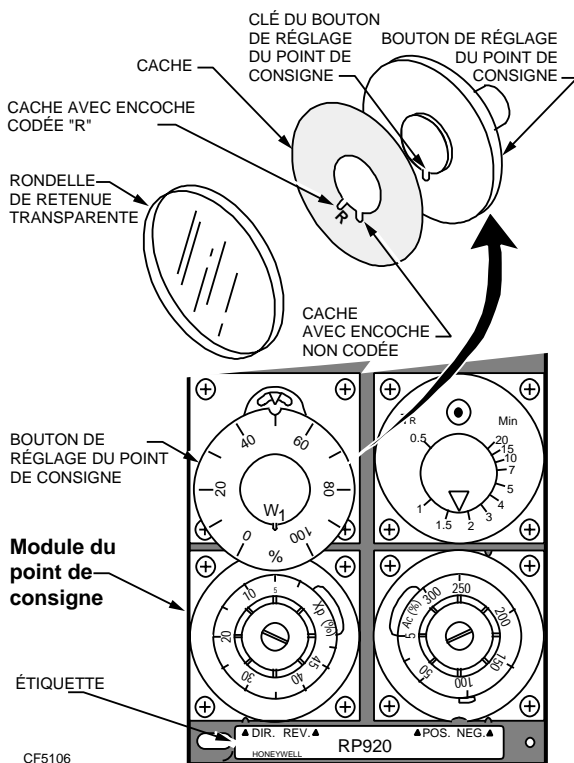


Fig. 7. Ajustement du point de consigne (W_1).

Réglage de la bande proportionnelle (X_p)

Ajuster la bande proportionnelle (X_p) en fonction des plans en utilisant le bouton de réglage de la bande proportionnelle (X_p) situé sur le module de régulation proportionnelle (Fig. 2).

! MISE EN GARDE

Risque de perte du signal.

Le fait de serrer la vis du bouton peut provoquer une fuite du régulateur.

Utiliser l'outil CCT819 servant à régler l'autorité, ou encore un couteau à mastic mince et rigide pour faire tourner le bouton (X_p et A_c).

Réglage de l'autorité (A_c) (RP920B et D seulement)

Régler l'autorité (A_c) selon les plans en utilisant le bouton de réglage de l'autorité (A_c) situé sur le module de compensation (Fig. 2).

Réglage du point de départ de la compensation (W_c) (RP920B et D seulement)

Régler le point de départ de la compensation (W_c) selon les plans (tableau de compensation) à l'aide du bouton de réglage du point de départ de la compensation (W_c) (Fig. 2). Dans le cas de capteurs à action directe, le réglage du bouton est égal à la valeur de compensation correspondant à la valeur la plus basse indiquée pour le capteur primaire (en fonction du tableau de compensation). Voir les Fig. 9 et 10. Si la valeur indiquée n'est pas exprimée en pourcentage, convertir cette valeur en pourcentage de la gamme du capteur de compensation ou consulter le Tableau 2. Voici comment utiliser le Tableau 3 (voir Annexe) :

1. Trouver d'abord la colonne correspondant à la gamme du capteur.
2. Trouver ensuite la température souhaitée dans le tableau.
3. Relever la pression équivalente dans la deuxième colonne.
4. Relever le pourcentage équivalent dans la première colonne.

Ajustement du délai de compensation (T_r) (RP920C et D seulement)

Régler le délai de compensation (T_r) en fonction des plans en utilisant le bouton de réglage du délai de compensation (T_r) (Fig. 2) :

1. Abaisser le réglage jusqu'à ce que le système devienne instable.
2. Augmenter le réglage légèrement jusqu'à ce que le système redevienne stable.

Couvercle

1. Si l'on se sert du couvercle, rabaisser le couvercle en droite ligne à partir du devant.
2. Le couvercle peut être fixé plus solidement : il suffit de resserrer la vis autotaraudeuse située dans le coin inférieur droit du couvercle.

ÉTALONNAGE

Capteurs

Les capteurs n'ont pas besoin d'être étalonnés puisqu'ils sont étalonnés en fonction du système.

Systèmes

Tous les régulateurs RP920 sont étalonnés en usine. Il est prévu que le régulateur soit ajusté selon les valeurs de l'installation indiquées sur les plans. Cette façon de mettre en service le régulateur convient en principe à la plupart des systèmes. S'il est déterminé qu'un étalonnage plus précis est nécessaire, suivre les étapes ci-dessous :

REMARQUE :

- Le régulateur est conçu de façon que tous les réglages puissent être effectués indépendamment les uns des autres. Par exemple, la modification de la bande proportionnelle (X_p) n'a pas d'effet sur l'étalonnage du point de consigne (W_1), le point de départ de la compensation (W_c) ou le réglage de l'autorité (A_c).
- Si un dispositif de réglage du point de contrôle est employé, appliquer une pression de 9 psi (62 kPa) à l'orifice 9.
- Si un point de consigne à distance est utilisé, bloquer l'orifice 8.

Système RP920A

1. Installer :
 - a. soit un manomètre récepteur temporaire (correspondant au capteur primaire) ou un manomètre de 0 à 30 psi (0 à 207 kPa) dans l'orifice du manomètre du capteur primaire si un tel manomètre n'est pas déjà installé en permanence, ou encore.
 - b. installer un manomètre en T dans la canalisation du capteur (orifice 3).
2. Appliquer la pression de la canalisation principale au système.
3. Installer un manomètre de 0 à 30 psi (0 à 207 kPa) dans la prise d'essai de la pression de la canalisation secondaire (humidifier la pointe du manomètre avant de l'insérer).
4. Si le relevé du capteur est supérieur de $\pm 10\%$ au point de consigne prévu, retirer la canalisation du capteur de l'orifice 3 et appliquer une pression équivalente (point de consigne prévu) au moyen de l'instrument d'étalonnage CCT816B.

REMARQUE : Pour un étalonnage plus précis, la variable réelle mesurée au capteur doit être à $\pm 10\%$ du point de consigne prévu.

5. Si le capteur est au point de contrôle prévu ou à une valeur satisfaisante, ajuster le bouton de réglage du point de consigne (W_1) jusqu'à ce que la pression de la canalisation secondaire soit égale au centre de la bande proportionnelle de l'appareil à régler, par exemple, 8 psi (55 kPa) pour un appareil dont la gamme est de 3 à 13 psi (21 à 90 kPa).
6. Si le point de consigne (W_1) et le manomètre du capteur primaire ne correspondent pas, retirer le bouton de réglage du point de consigne (W_1) et le replacer de façon que le point de consigne corresponde au relevé du manomètre du capteur primaire.
7. S'assurer que le point de consigne (W_1) à la valeur souhaitée.
8. L'étalonnage est terminé.

Système RP920B

1. Installer un manomètre récepteur correspondant au capteur de compensation ou un manomètre de 0 à 30 psi (0 à 207 kPa) dans l'orifice 5, comme l'illustre la Fig. 8.

REMARQUE : Si le régulateur comporte un manomètre de compensation dans l'orifice de manomètre adéquat, bloquer l'orifice 5 et utiliser le manomètre existant.

2. Installer un manomètre de 0 à 30 psi (0 à 207 kPa) dans la prise d'essai de la canalisation secondaire ou dans l'orifice de manomètre de la canalisation secondaire s'il n'y a pas déjà un manomètre installé en permanence.
3. Appliquer la pression de la canalisation principale au système.
4. Ajuster le bouton de réglage de l'autorité (A_c) au minimum.
5. Ajuster le bouton de réglage du point de départ de la compensation jusqu'à ce que le manomètre récepteur (orifice 5) indique une pression équivalente au point de départ de la compensation (W_c), (Fig. 9 ou 10).
6. Si le bouton du point de départ (W_c) et le point de départ ne correspondent pas, retirer le bouton et le replacer de façon qu'il corresponde au point de départ.
7. Le point de départ de la compensation (W_c) est maintenant étalonné.

REMARQUE : Il se peut que le manomètre récepteur soit lent à réagir (jusqu'à une minute). Le régulateur n'est pas pour autant défectueux.

8. Fixer l'unité d'étalonnage CCT816B (Fig. 11) à l'orifice 3 (capteur primaire).

REMARQUE : Les capteurs ne sont pas raccordés.

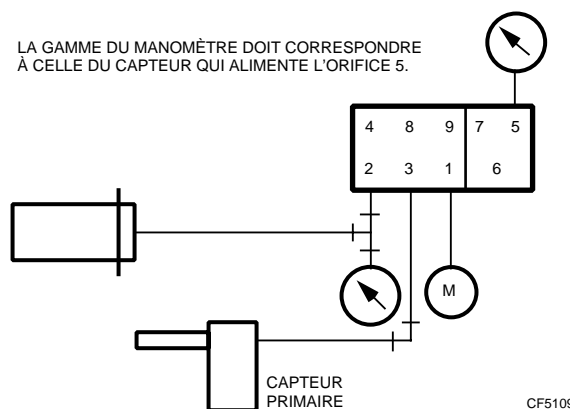


Fig. 8. Raccordement des canalisations pour le réglage du point de départ de la compensation (W_c) du RP920B.

9. Appliquer une pression équivalente à la valeur du capteur primaire qui correspond au point de départ de la compensation (*comp start*) figurant dans le tableau de compensation (Fig. 9 ou 10).
10. Ajuster le bouton du point de consigne jusqu'à ce que la pression de la canalisation secondaire soit égale à la pression prévue de l'appareil à régler lorsque les conditions de point de départ de la compensation sont atteintes.
11. Au besoin, retirer le bouton du point de consigne et le replacer de façon qu'il corresponde à la valeur du capteur primaire au point de départ de la compensation.
12. Le point de consigne (W_1) est maintenant étalonné.
13. Fixer l'unité d'étalonnage CCT816B (Fig. 12) à l'orifice 3 (capteur primaire) et à l'orifice 5 (capteur de compensation).
14. Appliquer des pressions d'entrée au capteur équivalentes à la pleine compensation selon le tableau de compensation du bâtiment.

15. Ajuster le bouton de réglage de l'autorité (A_c) jusqu'à ce que la pression de la canalisation secondaire corresponde à la pression prévue de l'appareil à régler aux conditions de pleine compensation.
16. L'étalonnage est maintenant terminé.

IMPORTANT

La modification du point de départ de la compensation (W_c) ou du point de consigne (W_1) n'a d'effet que sur la valeur correspondante du tableau de compensation, tandis que la modification de l'autorité (A_c) n'a d'effet que sur la pente du tableau de compensation.

REMARQUE : Voir la section sur l'ajustement du point de départ de la compensation (W_c) pour obtenir plus de détails.

17. Retirer l'unité d'étalonnage CCT816B et raccorder les capteurs aux canalisations.

Systèmes RP920C et D

1. Retirer la vis du module de régulation intégrale (Fig. 13) et installer le raccord à crans 14003755-001 et le joint torique à la place.
2. Appliquer une pression de 8 psi (55 kPa) au module de régulation intégrale.
3. Étalonner le RP920 comme suit :
 - a. RP920C : suivre les mêmes directives que pour le RP920A.
 - b. RP920D : suivre les mêmes directives que pour le RP920B; les valeurs d'étalonnage de la pression de la canalisation secondaire aux étapes 10 et 15 devraient toutefois être de 8 psi dans (55 kPa) dans les deux cas.
4. Une fois l'étalonnage terminé, retirer le raccord à crans du module de régulation intégrale et remettre la vis en place.

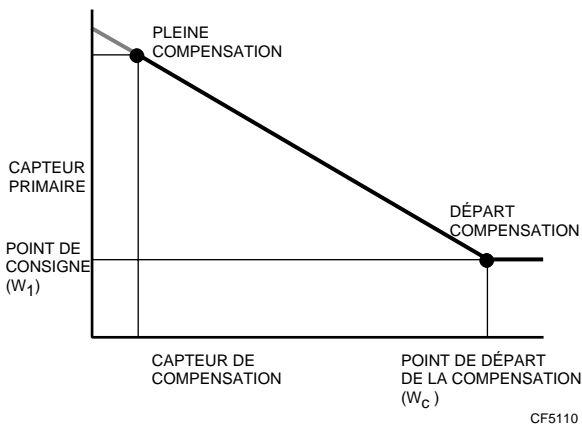


Fig. 9. Tableau de compensation pour l'étalonnage de la compensation négative.

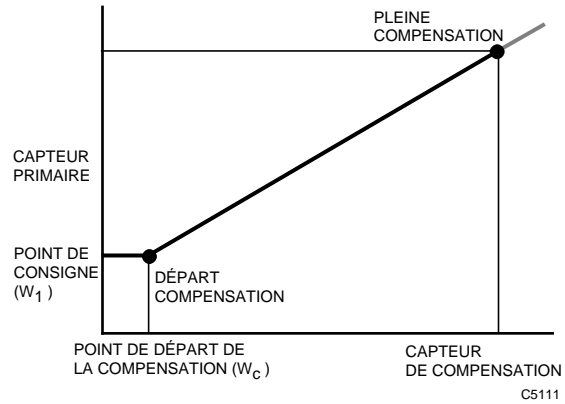


Fig. 10. Tableau de compensation pour l'étalonnage de la compensation positive.

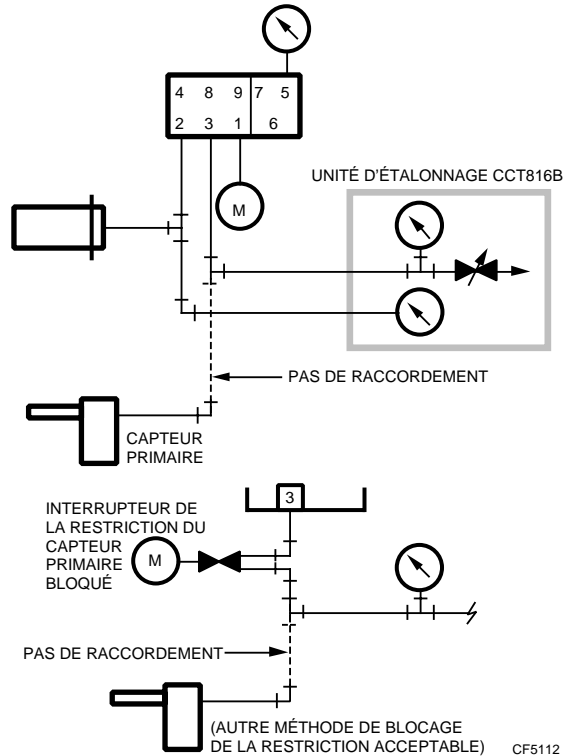


Fig. 11. Raccordement des canalisations pour l'unité CCT816B servant à l'étalonnage du point de consigne (W_1) du RP920B.

Exemple d'étalonnage du RP920B

Supposons les conditions suivantes :

1. Bande proportionnelle de 10 °F (5,6 K).
2. Supposons également un opérateur de 2,5 à 6,5 psi (17 à 45 kPa) avec vanne n.o. où 6,5 psi (45 kPa) équivaut à une charge nulle et 2,5 psi (17 kPa) à une pleine charge.
3. Voir la Fig. 14 pour obtenir le graphique du tableau de compensation.
4. Voir le Tableau 2 pour obtenir le tableau de compensation.

Tableau 2. Tableau de compensation

GAMME DE COMPENSATION	Capteur primaire (air de soufflage)	Capteur de compensation (air extérieur)
DÉPART	120 °F (49 °C) (40 %)	60 °F (15 °C) (50 %)
PLEINE	160 °F (71 °C) (60 %)	0 °F (-18 °C) (20 %)
PLAGE DE SERVICE	40 °F (22 K)	60 °F (33 K)
GAMME DU CAPTEUR	40 à 240 °F (4 à 116 °C)	-40 à 160 °F (4 à 71 °C)

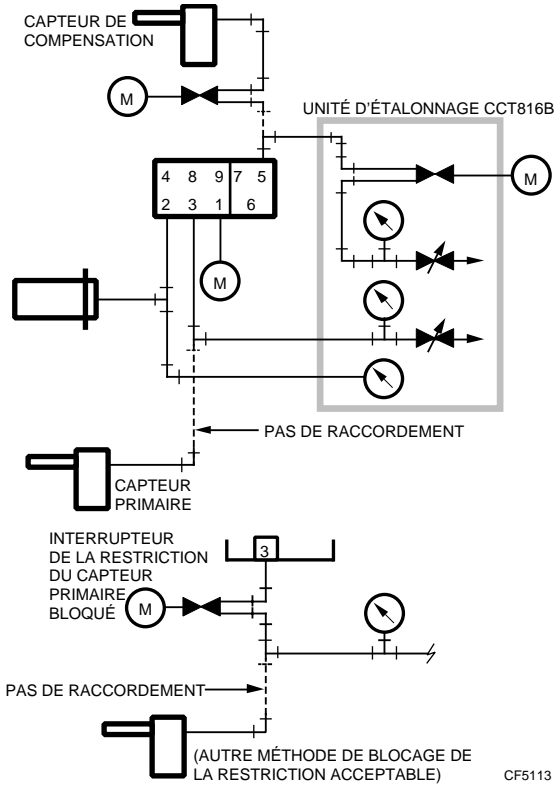


Fig. 12. Raccordement des canalisations pour l'unité CCT816B servant à l'étalonnage de l'autorité (A_C) du RP920B.

Réglages d'origine :

Point de consigne (W_1) = 120°F (49°C)
 = 40% = 7,8 psi (53,8 kPa)

Pour la cinquième étape d'étalonnage :

Capteur de compensation au départ = point de départ de la compensation (W_c).
 $W_c = 60 °F (15 °C) = 50 \% = 9 \text{ psi (62 kPa)}$

Pour la neuvième étape d'étalonnage :

Capteur primaire au départ = 120 °F (49 °C) ou 7,8 psi (53,8 kPa)

Pour la dixième étape d'étalonnage :

Pression désirée à la canalisation secondaire = 6,5 psi (45 kPa)

Pour la quinzième étape d'étalonnage :

Capteur primaire à la pleine compensation = 160 °F (71 °C) = 10,2 psi (70 kPa)

Capteur de compensation à la pleine compensation = 0 °F (-18 °C) = 5,4 psi (37,2 kPa)

Pression désirée à la canalisation secondaire = 2,5 psi (17 kPa)

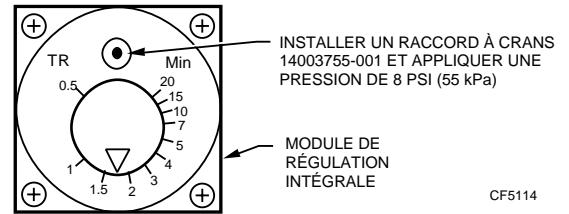


Fig. 13. Raccord de la canalisation au module de régulation intégrale.

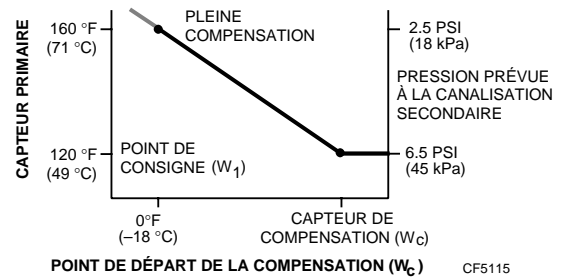


Fig. 14. Tableau de compensation pour exemple d'étalonnage.

APPENDIX / ANNEXE

Table 3. Sensor Value to Equivalent Percentage or Equivalent Pressure Conversion Chart.
Tableau 3. Tableau de conversion des valeurs du capteur en pourcentage équivalent ou en pression équivalente.

% Span % gamme	psi (kPa)	Humidity Sensors Capteurs d'humidité			LP914			LP915A			TP925, TP974
		%RH			°F (°C)			1044,1051	1077	1085	
		65 - 95	15 - 85	15 - 75	-40 - 160 (-40 - 71)	40 - 240 (4 - 116)	-20 - 80 (-29 - 27)	0 - 200 (-18 - 93)	25 - 125 (-4 - 52)	25 - 125 (-4 - 52)	
0	3 (20.7)	65	15	15	-40 (-40)	40 (4)	-20 (-29)	—	—	30 (-1)	50 (10)
1	3.1 (21.5)	65.4	15.8	15.8	-38 (-39)	42 (6)	-19 (-28)	—	—	31 (-1)	50.5 (10)
2	3.2 (22.3)	65.8	16.5	16.5	-36 (-38)	44 (7)	-18 (-28)	—	—	32 (0)	51 (11)
3	3.4 (23.2)	66.2	17.3	17.3	-34 (-37)	46 (8)	-17 (-27)	—	25 (-4)	33 (0)	51.5 (11)
4	3.5 (24.0)	66.6	18.1	18	-32 (-36)	48 (9)	-16 (-27)	0 (-18)	26 (-3)	34 (1)	52 (11)
5	3.6 (24.8)	67	18.8	18.8	-30 (-34)	50 (10)	-15 (-26)	3 (-16)	28 (-2)	35 (1)	52.5 (11)
6	3.7 (25.6)	67.4	19.6	19.5	-28 (-33)	52 (11)	-14 (-26)	5 (-15)	29 (-2)	35.5 (2)	53 (12)
7	3.8 (26.5)	67.8	20.4	20.3	-26 (-32)	54 (12)	-13 (-25)	8 (-14)	30 (-1)	36 (2)	53.5 (12)
8	4.0 (27.3)	68.2	21.2	21	-24 (-31)	56 (13)	-12 (-24)	10 (-12)	31 (0)	37 (3)	54 (12)
9	4.1 (28.1)	68.6	21.9	21.8	-22 (-30)	58 (14)	-11 (-24)	13 (-11)	32 (0)	38 (3)	54.5 (12)
10	4.2 (29.0)	68.9	22.7	22.5	-20 (-29)	60 (16)	-10 (-23)	15 (-9)	33 (1)	40 (4)	55 (13)
11	4.3 (29.8)	69.3	23.5	23.3	-18 (-28)	62 (17)	-9 (-23)	18 (-8)	34 (1)	40 (4)	55.5 (13)
12	4.4 (30.6)	69.7	24.2	24	-16 (-27)	64 (18)	-8 (-22)	20 (-7)	36 (2)	41 (5)	56 (13)
13	4.6 (31.4)	70.1	25	24.8	-14 (-26)	66 (19)	-7 (-22)	23 (-5)	37 (3)	42 (5)	56.5 (14)
14	4.7 (32.3)	70.5	25.8	25.5	-12 (-24)	68 (20)	-6 (-21)	25 (-4)	38 (3)	43 (6)	57 (14)
15	4.8 (33.1)	70.9	26.5	26.3	-10 (-23)	70 (21)	-5 (-21)	27 (-3)	39 (4)	43 (6)	57.5 (14)
16	4.9 (33.9)	71.3	27.3	27	-8 (-22)	72 (22)	-4 (-20)	29 (-1)	40 (4)	44 (7)	58 (14)
17	5.0 (34.7)	71.7	28.1	27.8	-6 (-21)	74 (23)	-3 (-19)	31 (0)	41 (5)	45 (7)	58.5 (15)
18	5.2 (35.6)	72.1	28.8	28.5	-4 (-20)	76 (24)	-2 (-19)	34 (1)	42 (6)	46 (8)	59 (15)
19	5.3 (36.4)	72.5	29.6	29.3	-2 (-19)	78 (26)	-1 (-18)	36 (2)	43 (6)	47 (8)	59.5 (15)
20	5.4 (37.2)	72.9	30.4	30	0 (-18)	80 (27)	0 (-18)	38 (3)	44 (7)	47.5 (9)	60 (16)
21	5.5 (38.1)	73.8	31.2	30.8	2 (-17)	82 (28)	1 (-17)	40 (4)	45 (7)	48 (9)	60.5 (16)
22	5.6 (38.9)	73.7	31.9	31.5	4 (-16)	84 (29)	2 (-17)	42 (6)	46 (8)	49 (10)	61 (16)
23	5.8 (39.7)	74.1	32.7	32.3	6 (-14)	86 (30)	3 (-16)	44 (7)	47 (8)	50 (10)	61.5 (16)
24	5.9 (40.5)	74.5	33.5	33	8 (-13)	88 (31)	4 (-16)	47 (8)	48 (9)	51 (10)	62 (17)
25	6.0 (41.4)	74.9	34.2	33.8	10 (-12)	90 (32)	5 (-15)	49 (9)	49 (9)	52 (11)	62.5 (17)
26	6.1 (42.2)	75.3	35	34.5	12 (-11)	92 (33)	6 (-14)	51 (11)	50 (10)	53 (11)	63 (17)
27	6.2 (43.0)	75.7	35.8	35.3	14 (-10)	94 (34)	7 (-14)	53 (12)	51 (11)	54 (12)	63.5 (17)
28	6.4 (43.8)	76.1	36.5	36	16 (-9)	96 (36)	8 (-13)	56 (13)	52 (11)	54.5 (12)	64 (18)
29	6.5 (44.7)	76.4	37.3	36.8	18 (-8)	98 (37)	9 (-13)	58 (14)	53 (12)	55.5 (13)	64.5 (18)
30	6.6 (45.5)	76.8	38.1	37.5	20 (-7)	100 (38)	10 (-12)	60 (16)	54 (12)	56 (14)	65 (18)
31	6.7 (46.3)	77.2	38.8	38.3	22 (-6)	102 (39)	11 (-12)	62 (17)	56 (13)	57 (14)	65.5 (19)
32	6.8 (47.2)	77.6	39.6	39	24 (-4)	104 (40)	12 (-11)	64 (18)	57 (14)	58 (15)	66 (19)
33	7.0 (48.0)	78	40.4	39.8	26 (-3)	106 (41)	13 (-11)	66 (19)	58 (14)	59 (15)	66.5 (19)
34	7.1 (48.8)	78.4	41.2	40.5	28 (-2)	108 (42)	14 (-10)	69 (20)	59 (15)	60 (16)	67 (19)
35	7.2 (49.6)	78.8	41.9	41.3	30 (-1)	110 (43)	15 (-9)	71 (21)	60 (16)	61 (16)	67.5 (20)
36	7.3 (50.5)	79.2	42.7	42	32 (0)	112 (44)	16 (-9)	73 (23)	61 (16)	62 (17)	68 (20)
37	7.4 (51.3)	79.6	43.5	42.8	34 (1)	114 (46)	17 (-8)	75 (24)	62 (17)	63 (17)	68.8 (20)
38	7.6 (52.1)	80	44.2	43.5	36 (2)	116 (47)	18 (-8)	77 (25)	63 (17)	64 (18)	69 (21)

Table 3. Sensor Value to Equivalent Percentage or Equivalent Pressure Conversion Chart. (Continued)
Tableau 3. Tableau de conversion des valeurs du capteur en pourcentage équivalent ou en pression équivalente.

% Span % gamme	psi (kPa)	Humidity Sensors Capteurs d'humidité			LP914			LP915A			TP925, TP974
		%RH			°F (°C)			1044,1051	1077	1085	
		65 - 95	15 - 85	15 - 75	-40 - 160 (-40 - 71)	40 - 240 (4 - 116)	-20 - 80 (-29 - 27)	0 - 200 (-18 - 93)	25 - 125 (-4 - 52)	25 - 125 (-4 - 52)	50 - 100 (10 - 38)
39	7.7 (52.9)	80.2	45	44.3	38 (3)	118 (48)	19 (-7)	78 (26)	64 (18)	65 (18)	69.5 (21)
40	7.8 (53.8)	80.5	45.7	45	40 (4)	120 (49)	20 (-7)	80 (27)	66 (19)	65.5 (19)	70 (21)
41	7.9 (54.6)	80.7	46.3	45.5	42 (6)	122 (50)	21 (-6)	82 (28)	67 (19)	66 (19)	70.5 (21)
42	8.0 (55.4)	81	47	46	44 (7)	124 (51)	22 (-6)	84 (29)	68 (20)	67 (20)	71 (22)
43	8.2 (56.3)	81.2	47.6	46.5	46 (8)	126 (52)	23 (-5)	87 (30)	69 (20)	68 (20)	71.5 (22)
44	8.3 (57.1)	81.3	48.3	47	48 (9)	128 (53)	24 (-4)	89 (32)	70 (21)	69 (21)	72 (22)
45	8.4 (57.9)	81.7	48.9	47.5	50 (10)	130 (54)	25 (-4)	91 (33)	71 (22)	70 (21)	72.5 (22)
46	8.5 (58.7)	81.9	49.6	48	52 (11)	132 (56)	26 (-3)	93 (34)	72 (22)	71 (22)	73 (23)
47	8.6 (59.6)	82.2	50.2	48.5	54 (12)	134 (57)	27 (-3)	96 (35)	73 (23)	72 (22)	73.5 (23)
48	8.8 (60.4)	82.4	50.9	49	56 (13)	136 (58)	28 (-2)	98 (37)	74 (23)	73 (23)	74 (23)
49	8.9 (61.2)	82.7	51.6	49.5	58 (14)	138 (59)	29 (-2)	100 (38)	75 (24)	74 (23)	74.5 (24)
50	9.0 (62.1)	82.9	52.2	50	60 (16)	140 (60)	30 (-1)	102 (39)	76 (24)	75 (24)	75 (24)
51	9.1 (62.9)	83.1	52.9	50.5	62 (17)	142 (61)	31 (-1)	104 (40)	77 (25)	76 (24)	75.5 (24)
52	9.2 (63.7)	83.4	53.5	51	64 (18)	144 (62)	32 (0)	106 (41)	78 (26)	77 (25)	76 (24)
53	9.4 (64.5)	83.6	54.2	51.5	66 (19)	146 (63)	33 (1)	108 (42)	79 (26)	77.5 (25)	76.5 (25)
54	9.9 (65.4)	83.9	54.8	52	68 (20)	148 (64)	34 (1)	110 (43)	80 (27)	78 (26)	77 (25)
55	9.6 (66.2)	84.1	55.5	52.5	70 (21)	150 (66)	35 (2)	112 (44)	81 (27)	79 (26)	77.5 (25)
56	9.7 (67.0)	84.4	56.1	53	72 (22)	152 (67)	36 (2)	114 (46)	82 (28)	80 (27)	78 (26)
57	9.8 (67.8)	84.6	56.8	53.5	74 (23)	154 (68)	37 (3)	116 (47)	83 (28)	81 (27)	78.8 (26)
58	10.0 (68.7)	84.8	57.5	54	76 (24)	156 (69)	38 (3)	118 (48)	84 (29)	82 (28)	79 (26)
59	10.1 (69.5)	85.1	58.1	54.5	78 (26)	158 (70)	39 (4)	120 (49)	85 (29)	83 (28)	79.5 (26)
60	10.2 (70.0)	85.3	58.8	55	80 (27)	160 (71)	40 (4)	122 (50)	86 (30)	84 (29)	80 (27)
61	10.3 (71.1)	85.6	59.4	55.5	82 (28)	162 (72)	41 (5)	124 (51)	87 (31)	85 (29)	80.5 (27)
62	10.4 (72.0)	85.8	60.1	56	84 (29)	164 (73)	42 (6)	126 (52)	88 (31)	86 (30)	81 (27)
63	10.6 (72.8)	86	60.7	56.5	86 (30)	166 (74)	43 (6)	127 (53)	89 (32)	87 (31)	81.5 (27)
64	10.7 (73.6)	86.3	61.4	57	88 (31)	168 (76)	44 (7)	129 (54)	90 (32)	88 (31)	82 (28)
65	10.8 (74.5)	86.5	62	57.5	90 (32)	170 (77)	45 (7)	131 (55)	91 (33)	89 (32)	82.5 (28)
66	10.9 (75.3)	86.8	62.7	58	92 (33)	172 (78)	46 (8)	133 (56)	92 (33)	90 (32)	83 (28)
67	11.0 (76.1)	87	63.4	58.5	94 (34)	174 (79)	47 (8)	135 (57)	93 (34)	91 (33)	83.5 (29)
68	11.2 (76.9)	87.3	64	59	96 (36)	176 (80)	48 (9)	136 (58)	94 (34)	92 (33)	84 (29)
69	11.3 (77.8)	87.5	64.7	59.5	98 (37)	178 (81)	49 (9)	138 (59)	95 (35)	93 (34)	84.5 (29)
70	11.4 (78.6)	87.7	65.3	60	100 (38)	180 (82)	50 (10)	140 (60)	96 (36)	93 (34)	85 (29)
71	11.5 (79.4)	88	66	60.5	102 (39)	182 (83)	51 (11)	142 (61)	97 (36)	94 (35)	85.5 (30)
72	11.6 (80.3)	88.2	66.6	61	104 (40)	184 (84)	52 (11)	144 (62)	98 (37)	95 (35)	86 (30)
73	11.8 (81.1)	88.5	67.3	61.5	106 (41)	186 (86)	53 (12)	146 (63)	99 (37)	96 (36)	86.5 (30)
74	11.9 (81.9)	88.7	68	62	108 (42)	188 (87)	54 (12)	147 (64)	100 (38)	97 (36)	87 (31)
75	12.0 (82.7)	89	68.6	62.5	110 (43)	190 (88)	55 (13)	149 (65)	101 (38)	98 (37)	87.5 (31)
76	12.1 (83.6)	89.2	69.3	63	112 (44)	192 (89)	56 (13)	151 (66)	102 (39)	99 (37)	88 (31)
77	12.2 (84.4)	89.4	69.9	63.5	114 (46)	194 (90)	57 (14)	153 (67)	103 (39)	100 (38)	88.5 (31)
78	12.4 (85.2)	89.7	70.6	64	116 (47)	196 (91)	58 (14)	155 (68)	104 (40)	101 (38)	89 (32)
79	12.5 (86.0)	90	71.2	64.5	118 (48)	198 (92)	59 (15)	156 (69)	105 (41)	102 (39)	89.5 (32)

Table 3. Sensor Value to Equivalent Percentage or Equivalent Pressure Conversion Chart. (Continued)
Tableau 3. Tableau de conversion des valeurs du capteur en pourcentage équivalent ou en pression équivalente.

% Span % gamme	psi (kPa)	Humidity Sensors Capteurs d'humidité			LP914			LP915A			TP925, TP974
		%RH			°F (°C)			1044,1051	1077	1085	
		65 - 95	15 - 85	15 - 75	-40 - 160 (-40 - 71)	40 - 240 (4 - 116)	-20 - 80 (-29 - 27)	0 - 200 (-18 - 93)	25 - 125 (-4 - 52)	25 - 125 (-4 - 52)	50 - 100 (10 - 38)
80	12.6 (86.9)	90.2	71.9	65	120 (49)	200 (93)	60 (16)	158 (70)	106 (41)	103 (39)	90 (32)
81	12.7 (87.7)	90.4	72.5	65.5	122 (50)	202 (94)	61 (16)	160 (71)	107 (42)	104 (40)	90.5 (32)
82	12.8 (88.5)	90.6	73.2	66	124 (51)	204 (96)	62 (17)	162 (72)	108 (42)	105 (41)	91 (33)
83	13.0 (89.4)	90.9	73.9	66.5	126 (52)	206 (97)	63 (17)	164 (73)	109 (43)	106 (41)	91.5 (33)
84	13.1 (90.2)	91.1	74.5	67	128 (53)	208 (98)	64 (18)	166 (74)	110 (43)	107 (42)	92 (33)
85	13.2 (91.0)	91.4	75.2	67.5	130 (54)	210 (99)	65 (18)	167 (75)	111 (44)	108 (42)	92.5 (34)
86	13.3 (91.8)	91.6	75.8	68	132 (56)	212 (100)	66 (19)	169 (76)	112 (44)	109 (43)	93 (34)
87	13.4 (92.7)	91.9	76.5	68.5	134 (57)	214 (101)	67 (19)	171 (77)	113 (45)	110 (43)	93.5 (34)
88	13.6 (93.5)	92.1	77.1	69	136 (58)	216 (102)	68 (20)	173 (78)	114 (46)	111 (44)	94 (34)
89	13.7 (94.3)	92.3	77.8	69.5	138 (59)	218 (103)	69 (21)	175 (79)	115 (46)	112 (44)	94.5 (35)
90	13.8 (95.1)	92.6	78.4	70	140 (60)	220 (104)	70 (21)	176 (80)	116 (47)	113 (45)	95 (35)
91	13.9 (96.0)	92.8	79.1	70.5	142 (61)	222 (106)	71 (22)	178 (81)	117 (47)	114 (45)	95.5 (35)
92	14.0 (96.8)	93.1	79.8	71	144 (62)	224 (107)	72 (22)	180 (82)	118 (48)	114.5 (46)	96 (36)
93	14.2 (97.6)	93.3	80.4	71.5	146 (63)	226 (108)	73 (23)	182 (83)	119 (48)	115 (46)	96.5 (36)
94	14.3 (98.5)	93.5	81.1	72	148 (64)	228 (109)	74 (23)	183 (84)	120 (49)	116 (47)	97 (36)
95	14.4 (99.3)	93.8	81.7	72.5	150 (66)	230 (110)	75 (24)	185 (85)	121 (49)	117 (47)	97.5 (36)
96	14.5 (100.1)	94	82.4	73	152 (67)	232 (111)	76 (24)	187 (86)	122 (50)	118 (48)	98 (37)
97	14.6 (100.9)	94.3	83	73.5	154 (68)	234 (112)	77 (25)	188 (87)	123 (51)	119 (48)	98.5 (37)
98	14.8 (101.8)	94.5	83.7	74	156 (69)	236 (113)	78 (26)	190 (88)	124 (51)	120 (49)	99 (37)
99	14.9 (102.6)	94.8	84.3	74.5	158 (70)	238 (114)	79 (26)	192 (89)	125 (52)	121 (49)	99.5 (38)
100	15.0 (103.4)	95	85	75	160 (71)	240 (116)	80 (27)	193 (90)	—	122 (50)	100 (38)
101	15.1 (104.2)	—	—	—	—	—	—	195 (91)	—	123 (51)	—
102	15.2 (105.1)	—	—	—	—	—	—	197 (91)	—	124 (51)	—
103	15.4 (105.9)	—	—	—	—	—	—	198 (92)	—	125 (52)	—
104	15.5 (106.7)	—	—	—	—	—	—	200 (93)	—	—	—

By using this Honeywell literature, you agree that Honeywell will have no liability for any damages arising out of your use or modification to, the literature. You will defend and indemnify Honeywell, its affiliates and subsidiaries, from and against any liability, cost, or damages, including attorneys' fees, arising out of, or resulting from, any modification to the literature by you.

Honeywell

**Régulation résidentielle
et commerciale**
Honeywell
1985 Douglas Drive
Golden Valley, MN 55422

**Régulation résidentielle
et commerciale**
Honeywell limited-Honeywell Limitée
35, Dynamic Drive
Scarborough (Ontario)
M1V 4Z9

Honeywell Asie du Pacifique
Room 3213-3225
Sun Hung Kai Centre
No. 30 Harbour Road
Wanchai
Hong Kong

Honeywell - Amérique latine
480 Sawgrass Corporate Parkway
Suite 200
Sunrise FL 33325

Honeywell Europe S.A.
3, avenue du Bourget
1140 Bruxelles
Belgique

