

Cartridge Globe Valve Actuators

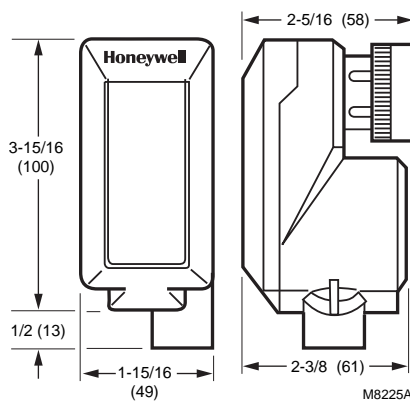
M6410; M7410 Cartridge Globe Valve Actuator



Cartridge Globe Valve Actuator are small electric actuators for individual room control that provide floating or modulating control of V5852, V5862 two-way or V5853, V5863 three-way valves.

- Suitable for Excel/IRC system or other controllers providing specified signals
- Magnetic coupling for torque limitation independent of voltage supply and self-adjustment of the close-off port
- No mounting tools required
- Small size allows installation in limited space of fan coil units, induction units, and small reheaters or recoolers
- Visual position indication (red pin)

Dimensions in inches (millimeters)



Actuator Type: Valve

Fail Safe Mode: Stays in place

Cable Entry: Threaded conduit connector

Electrical Protection: Class I Insulation (24 Vac)

Electrical Connections: Plenum-rated cable

Ingress Protection Rating: IP42

Feedback: No

Frequency: 50 Hz; 60 Hz

Timing (seconds): Nominal Driving @ 60 Hz: 125 sec.

Number of Internal Auxiliary Switch: 0

Manual operation: None (use valve dust cap)

Mounting: Threads onto V58XX valve bonnet

Stroke: 1/4 in. (6 mm)

Supply Voltage: 24 Vac +10/-30%

Materials

Low Maintenance Plastic Housing

Operating Humidity Range (% RH): 5 to 95% RH

Medium Temperature: 266 F Maximum (130 C Maximum)

Ambient Temperature Range: 32 F to 122 F (0 C to 50 C)

Storage Temperature Range: -40 F to +158 F (-40 C to +70 C)

Weight: 0.3125 lb (0.15 kg)

Includes: 1/2 in. conduit hub

Approvals

Underwriters Laboratories, Inc: UL94-5V

Product Number	Control Signal	Power Consumption (Driving)	Input Impedance	(Rated) Stem Force		Comments	Used With
				(lb-in.)	(Nm)		
M6410A1029	SPDT; Floating; Two position	0.7 VA	—	40.5 bf	180 N	—	1/2 inch and 3/4 inch V58XX Globe Valves
M6410A3017	SPDT; Floating; Two position	0.7 VA	—	67.5 bf	300 N	High force for metal-seated valves	1 inch to 1-1/2 inch V58XX Globe Valves
M7410F1000	2 to 10 Vdc; 0 to 10 Vdc	1.4 VA	100K ohm	40.5 bf	180 N	Direct/Reverse Acting Switch	1/2 inch and 3/4 inch V58XX Globe Valves
M7410F3006	2 to 10 Vdc; 0 to 10 Vdc	1.4 VA	100K ohm	67.5 bf	300 N	High force for metal-seated valves; Direct/Reverse Acting Switch	1 inch to 1-1/2 inch V58XX Globe Valves