

# Direct Coupled Valve Actuators

## ML6420; ML7420

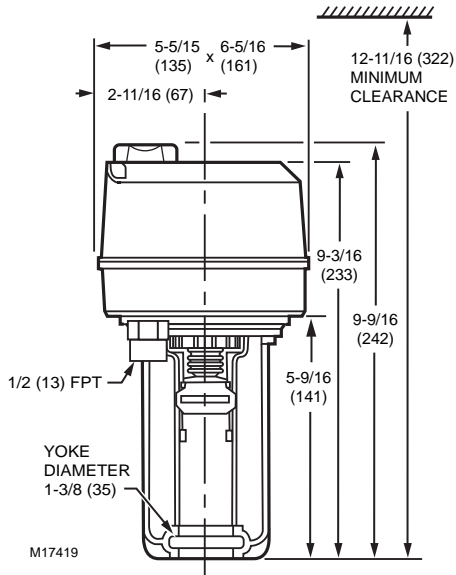
### Non-Spring Return Direct Coupled Globe Valve Actuators



Direct Coupled Globe Valve Actuators provide floating or modulating control of chilled water, hot water, or steam, and mount directly on VGF series, V5011, and V5013 globe valves from 1/2 to 3 inches.

- Easy and quick installation on valves with 1 3/8" bonnet and 3/4" stroke
- No separate linkage required
- Conduit connector standard
- No adjustments required on linkage
- Accurate valve positioning
- Low power consumption
- High close-off ratings
- Force limiting end switches
- Manual operator
- Synchronous motor
- Maintenance free
- ML7420 has an internal selector plug that can be used to reverse the direction of action

#### Dimensions in inches (millimeters)



**Electrical Connections:** Screw terminals

**Ingress Protection Rating:** IP54

**Frequency:** 50 Hz; 60 Hz

**Number of Internal Auxiliary Switch:** 0

**Manual operation:** Knob

**Mounting:** Directly on V5011/V5013 Globe Valves and VGF Flanged Globe Valves (3/4" or 20mm stroke)

**Stroke:** 3/4 in. (20 mm)

**Supply Voltage:** 24 Vac ±15%

**Materials:** ABS-FR Plastic, aluminum yoke

**Operating Humidity Range (% RH):** 5 to 95% RH

**Medium Temperature:** 300 F Maximum (150 C Maximum)

**Ambient Temperature Range:** 14 F to 122 F (-10 C to +50 C)

**Storage Temperature Range:** -40 F to +158 F (-40 C to +70 C)

**Weight:** 2.9 lb (1.3 kg)

**Includes:** 1/2 in. conduit hub; 1/2 in. flex ble conduit adapter

**Approvals**

**Canadian Standards Association:** Certified

**CE:** Listed

**Underwriters Laboratories, Inc:** UL94-5V

#### Accessories:

**43191679-111-**Potentiometer, 10k ohm, for ML6420 only

**43191679-112-**Potentiometer, 220 ohm, for ML6420 only

**43191680-105-**Dual Auxiliary Switch for CREVAL actuators, for ML6420 only

**43196000-001-**High Temperature Kit for actuators with 3/4 inch (20 mm) stroke, stem button attachment

**312495-**Large stem button provides anti-spin for globe valves up to 3 in. (1/4-28UNF stem) with ML6420, ML7420, ML6421A, ML7421A, ML6425, and ML7425 actuators. Not required with ML6984/7984 actuators or Q5022A linkage; not compatible with Q5020 linkage.

**Actuator Type:** Valve

**Fail Safe Mode:** Stays in place

**(Rated) Stem Force:** 135 bf (600 N)

**Cable Entry:** Conduit connector and one knockout on actuator case

**Electrical Protection:** Class I Insulation (24 Vac)

Product Number	Control Signal	Feedback	Timing (seconds)	Power Consumption	Input Impedance
			Nominal Driving @ 60 Hz	(Driving)	
ML6420A3049	SPDT; Floating; Two position	—	60 sec	6 VA	—
ML6420A3056	SPDT; Floating; Two position	—	30 sec	6 VA	—
ML7420A3055	2 to 10 Vdc; 0 to 10 Vdc	2-10 Vdc	60 sec	7 VA	1K ohm
ML7420A3063	2 to 10 Vdc; 0 to 10 Vdc	2-10 Vdc	30 sec	7 VA	1K ohm