

Direct Coupled Valve Actuators

ML6425; ML7425

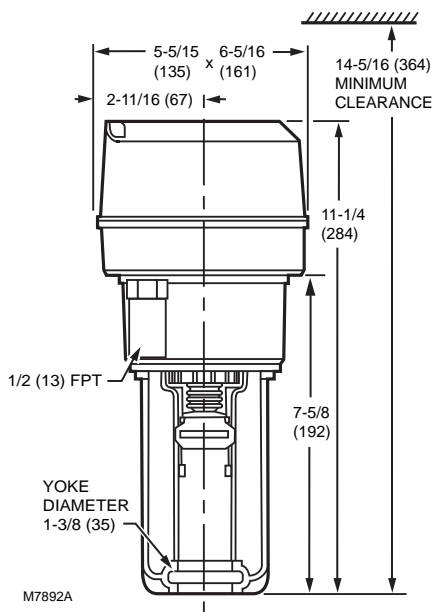
Spring Return Direct Coupled Globe Valve Actuators



Direct Coupled Globe Valve Actuators provide floating and modulating control of chilled water, hot water, and steam, and mount directly on VGF series, V5011, and V5013 globe valves. These Spring Return Actuators will operate 1/2 to 3 inch valves.

- Easy and quick installation on valves with 1 3/8" bonnet and 3/4" stroke
- No separate linkage required
- Conduit connector standard
- No adjustments required on linkage
- Accurate valve positioning
- Low power consumption
- High close-off ratings
- Force limiting end switches
- Internal manual operator
- Synchronous motor
- Maintenance free

Dimensions in inches (millimeters)



Actuator Type: Valve

Fail Safe Mode: Stem down on power failure

(Rated) Stem Force: 135 lbf (600 N)

Spring Return Torque: 135 lbf (600 N)

Spring Return Timing (Nominal sec.): 12 sec.

Cable Entry: Conduit connector and one knockout on actuator case

Electrical Protection: Class I Insulation (24 Vac)

Electrical Connections: Screw terminals

Ingress Protection Rating: IP54

Frequency: 50 Hz; 60 Hz

Timing (seconds): Nominal Driving @ 60 Hz: 90 sec.

Number of Internal Auxiliary Switch: 0

Manual operation: Manual override winding

Mounting: Directly on V5011/V5013 Globe Valves and VGF Flanged Globe Valves (3/4" or 20mm stroke)

Stroke: 3/4 in. (20 mm)

Materials: ABS-FR Plastic, aluminum yoke

Operating Humidity Range (% RH): 5 to 95% RH

Medium Temperature: 300 F Maximum (150 C Maximum)

Ambient Temperature Range: 14 F to 122 F (-10 C to +50 C)

Storage Temperature Range: -40 F to +158 F (-40 C to +70 C)

Weight: 5.1 lb (2.3 kg)

Includes: 1/2 in. conduit hub; 1/2 in. flex ble conduit adapter

Approvals

CE: Recognized

Underwriters Laboratories, Inc: UL94-5V

Accessories:

43191679-111-Potentiometer, 10k ohm, for ML6425 only

43191679-112-Potentiometer, 220 ohm, for ML6425 only

43191680-105-Dual Auxiliary Switch for CREVAL actuators, for ML6425 only

43196000-001-High Temperature Kit for actuators with 3/4 inch (20 mm) stroke, stem button attachment

312495-Large stem button provides anti-spin for globe valves up to 3 in. (1/4-28UNF stem) with ML6420, ML7420, ML6421A, ML7421A, ML6425, and ML7425 actuators. Not required with ML6984/7984 actuators or Q5022A linkage; not compatible with Q5020 linkage.

Product Number	Control Signal	Feedback	Power Consumption	Supply Voltage	Spring Return Direction
			(Driving)		
ML6425A3022	SPDT; Floating; Two position	—	11 VA	24 Vac	Stem down on power failure
ML6425B3013	SPDT; Floating; Two position	—	11 VA	24 Vac	Stem up on power failure
ML7425A3013	2 to 10 Vdc; 0 to 10 Vdc	2-10 Vdc	12 VA	24 Vac ±15%	Stem down on power failure
ML7425B3012	2 to 10 Vdc; 0 to 10 Vdc	2-10 Vdc	12 VA	24 Vac ±15%	Stem up on power failure