

W351 Series

# Electronic On/Off Humidity Control

## Description

The W351 Electronic On/Off Humidity Control is an electronic humidity control with SPDT relay output and LED indication. This control is used in conjunction with the HE-67S3-0N0BT or HE-67S3-0N00P series of humidity transmitters to stage humidification and dehumidification equipment. The control covers a range of 10 to 90% RH and has adjustments for setpoint, differential, and mode (humidification or dehumidification).

The S351 Stage Module, D351 Display Module, and the Y350R Power Modules can be used with the W351.

## Features

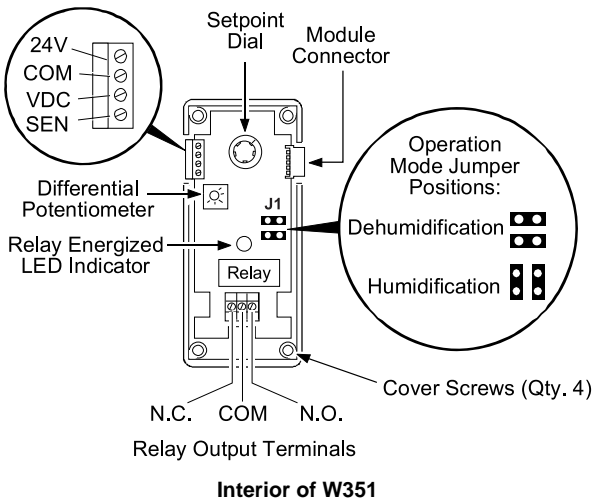
- field selectable humidification or dehumidification mode
- adjustable differential and setpoint
- surface or DIN rail mounting
- 5-pin connectors eliminate wiring between modules

## Applications

- computer rooms
- clean rooms
- pharmaceutical manufacturing process
- space humidity
- humidity monitoring and display
- high/low humidity alarm indication



W351



## Selection Chart

Code Number	Setpoint Range (% RH)	Differential (%RH)	Humidity Transmitter
W351AB-2C	10 to 90% RH	2 to 10% RH	sensor not included
W351AA-1C			includes room sensor HE-67S3-0N0BT
W351AA-2C			includes duct sensor HE-67S3-0N00P

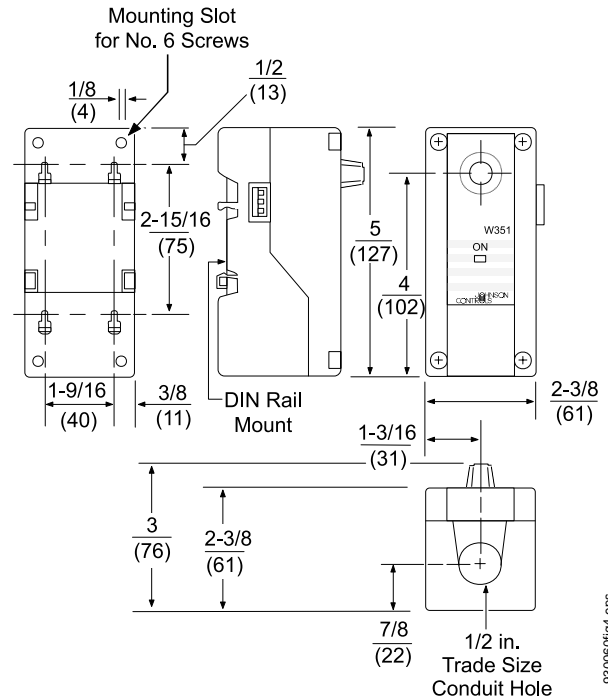
## Technical Specifications

W351 Electronic Humidity Control		
Supply Voltage <sup>1</sup>	Transformer	20 to 30 VAC, 50/60 Hz, Class 2
	Y350R	120/240 VAC, 50/60 Hz
VDC Power Supply	12 VDC provided to power humidity transmitter	
Power Consumption	1.8 VA Maximum	
Relay	SPDT enclosed relay, contacts rated at 10 amp, 1/2 hp 120/240 VAC	
Case and Cover Material	NEMA 1, high-impact thermoplastic	
Ambient Temperature	Operating	-30 to 150°F (-34 to 66°C)
	Shipping	-40 to 185°F (-40 to 85°C)
Humidity	0 to 95% RH non-condensing	

1. Only one voltage source may be used.

## Relay Contact Ratings

Voltage, AC	120	208/240
Full Load Amp	9.8	4.9
Locked Rotor Amp	58.8	29.4
Non-Inductive Amp 10 at 24/240 VAC		
Pilot Duty – 125 VA at 24/240 VAC		



W351 Dimensions, in. (mm)