

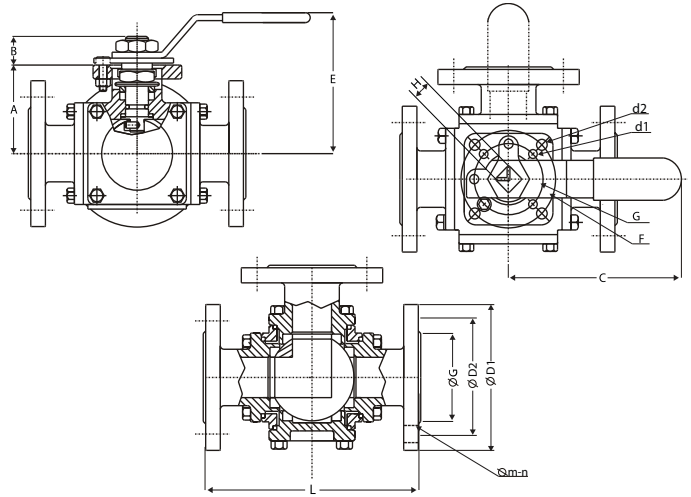
# Direct Mount Ball Valve



## Full Port • 3-Way Flanged Connection • Class 150



A-766T/L



### Features

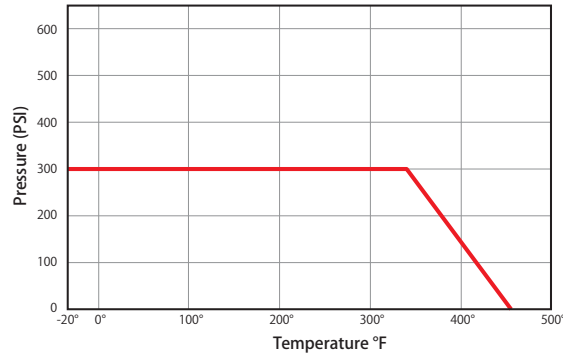
- Compact design
- AISI 316 stainless steel
- ANSI 150 flanged
- Max Temp 450°F
- Blow out proof stem
- 100% tested
- L-port & T-port available
- Wetted surface contains less than .25% lead content
- Contact Jomar Valve for material specs

### Approvals

- ASME/ANSI B16.5

### Valve Seat Rating

150 Class 200 WOG



		Flow Options					
		T-Port			L-Port		
Lever Assembly	Position 1						
	Position 2						



**WARNING:** This product can expose you to chemicals including diisononyl phthalate (DINP), which is known to the State of California to cause cancer, and diisononyl phthalate (DINP), which is known to the State of California to cause birth defects or other reproductive harm. For more information go to [www.P65Warnings.ca.gov](http://www.P65Warnings.ca.gov).

### Dimensions

Part No.	Size	A	B	C	D1	D2	d1	d2	E	F	G	H	L	M	N
A766T/L-12	1/2"	1.61	0.43	5.12	3.50	2.38	0.24	0.24	2.44	1.65	1.42	0.35	5.98	0.63	4
A766T/L-34	3/4"	1.93	0.55	6.50	3.86	2.76	0.24	0.28	3.23	1.97	1.65	0.43	6.57	0.63	4
A766T/L-1	1"	2.17	0.55	6.50	4.25	3.13	0.24	0.28	3.50	1.97	1.65	0.43	7.48	0.63	4
A766T/L-114	1-1/4"	2.48	0.67	8.07	4.61	3.50	0.28	0.36	3.86	2.76	1.97	0.55	8.19	0.63	4
A766T/L-112	1-1/2"	2.91	0.63	8.07	5.00	3.88	0.28	0.36	4.25	2.76	1.97	0.55	8.66	0.63	4
A766T/L-2	2"	3.66	0.83	12.80	5.98	4.74	0.36	0.45	5.51	4.02	2.76	0.67	9.96	0.63	4
A766T/L-212	2-1/2"	4.67	0.98	15.75	7.01	5.49	0.43	-	-	-	4.02	0.87	11.81	0.75	4
A766T/L-3	3"	5.37	0.98	19.69	7.48	6.00	0.43	-	-	-	4.02	0.87	12.01	0.75	4
A766T/L-4	4"	6.16	0.98	25.59	9.01	7.50	0.43	-	-	-	4.02	0.87	14.51	0.75	8