

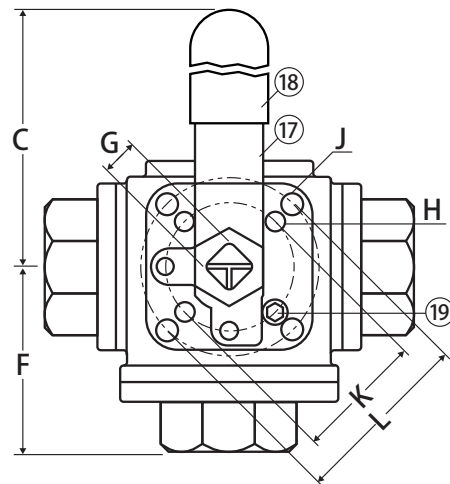
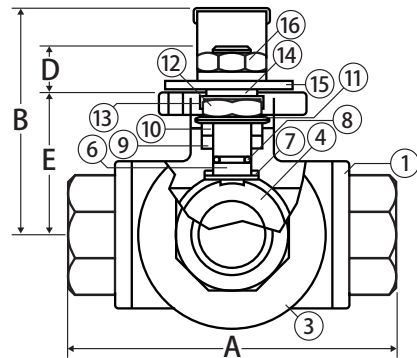
Direct Mount Ball Valve



3-Way • Full Port • Threaded Connection • 1000 WOG • with ISO Mounting Pad



A850T/L



Features

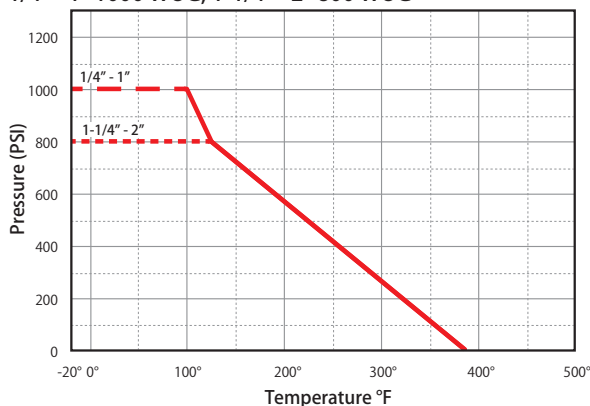
- ISO 5211 mounting pad
- Self adjusting stem packing
- Blow-out proof stem design
- Temperature range: -20°F to 450°F
- Four seat standard
- Locking device may be locked in open or closed position
- 100% tested
- Wetted surface contains less than .25% lead content

Approvals

- ANSI B1.20.1

Valve Seat Rating

1/4" - 1" 1000 WOG, 1-1/4" - 2" 800 WOG



Material Specifications

No.	Part	Materials	No.	Part	Materials
1	End Cap	CF8M	11	Disc Washer	SS301
2	Gasket*	PTFE	12	Stem Nut	SS304
3	Body	CF8M	13	Nut Stop	SS304
4	Ball	SS316	14	Space Washer	SS304
5	Seat*	PTFE	15	Stopper Plate	SS304
6	Stem	SS316	16	Handle Nut	SS304
7	Thrust Washer	RPTFE	17	Handle	SS304
8	O-Ring	Viton	18	Sleeve	Plastic
9	Stem Packing	PTFE	19	Stop Pin	SS304
10	Gland	SS304			*Not Shown



WARNING: This product can expose you to chemicals including diisononyl phthalate (DINP), which is known to the State of California to cause cancer, and diisononyl phthalate (DINP), which is known to the State of California to cause birth defects or other reproductive harm. For more information go to www.P65Warnings.ca.gov.

Dimensions

Part No.	Size	A	B	C	D	E	F	G	H	J	K	L	Port	Torque
A850_-14	1/4"	2.83	2.44	5.12	0.37	1.46	1.38	0.35	0.24	0.24	1.42	1.65	0.43	107
A850_-38	3/8"	2.83	2.44	5.12	0.37	1.46	1.38	0.35	0.24	0.24	1.42	1.65	0.47	107
A850_-12	1/2"	3.33	2.52	5.12	0.43	1.65	1.59	0.35	0.24	0.24	1.42	1.65	0.59	133
A850_-34	3/4"	3.94	3.23	6.50	0.55	1.93	1.95	0.43	0.24	0.28	1.65	1.97	0.79	160
A850_-1	1"	4.45	3.50	6.50	0.55	2.17	2.22	0.43	0.24	0.28	1.65	1.97	0.98	293
A850_-114	1-1/4"	4.94	3.86	8.07	0.67	2.48	2.44	0.55	0.28	0.36	1.97	2.76	1.26	532
A850_-112	1-1/2"	5.91	4.25	8.07	0.63	2.91	2.89	0.55	0.28	0.36	1.97	2.76	1.50	664
A850_-2	2"	6.85	5.51	12.80	0.83	3.62	3.43	0.67	0.36	0.45	2.76	4.02	1.97	744

Note: Torque is in (in-lb)

_ in part number must specify ball- T = T-port; L = L-port

Note: Information subject to change without notice.

052218

© 2018 Jomar Valve • www.jomarvalve.com • P: (586) 268-1220 • F: (586) 979-8315