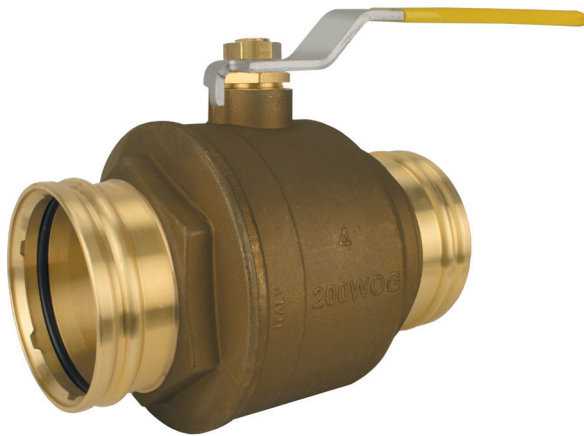


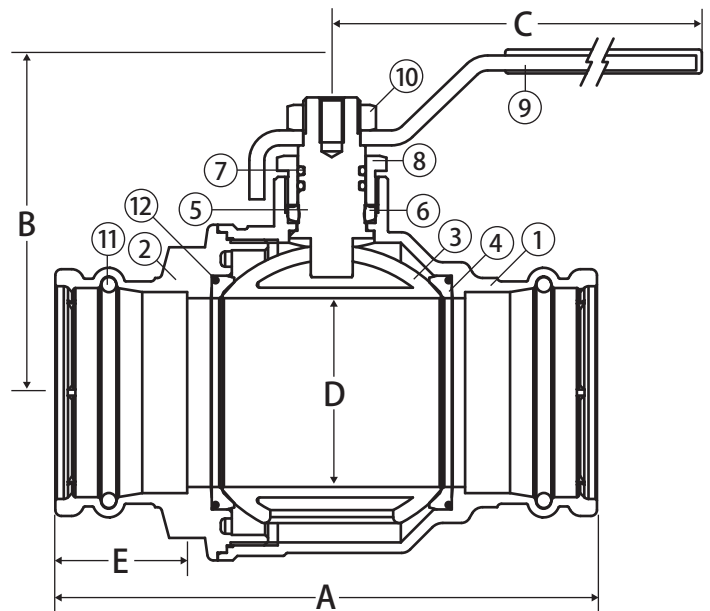
# Lead Free Brass Ball Valve



2 Piece • Full Port • Press XL Connection • 200 WOG



**JP-100G XL**



### Features

- Dezincification resistant brass alloy
- Triple sealing stem with 2 Viton® o-rings and Teflon® seal
- Blow-out proof stem
- 100% leak tested
- 100% Made in Italy
- Leakproof stem - Lifetime Warranty
- Wetted surfaces contain less than .25% lead content
- Accessories available

### Pressure/Temperature Rating

- 200 WOG
- Max. 250° F

**WARNING:** This product can expose you to chemicals including lead, which is known to the State of California to cause cancer, and lead, which is known to the State of California to cause birth defects or other reproductive harm. For more information go to [www.P65Warnings.ca.gov](http://www.P65Warnings.ca.gov).

### Material Specifications

No.	Part	Materials
1	Body	Lead Free Brass - CW511L
2	End Connection	Lead Free Brass - CW511L
3	Ball	Chrome Plated Brass - CW510L
4	Seat (2)	Hostaflo® TFM 1600
5	Stem	Lead Free Brass - CW510L
6	Packing	Hostaflo® TFM 1600
7	Stem O-ring (2)	Viton®
8	Packing Gland	Brass - CW614N
9	Handle	Steel - Geomet® Plated
10	Handle Nut	Steel - Geomet® Plated
11	O-ring (2)	EPDM
12	O-ring (2)*	EPDM

\*On 3" & 4" only

### Dimensions

Part No.	Size	A	B	C	D	E	Cv
100-209G	2-1/2"	7.13	4.72	7.87	2.46	1.73	350.32
100-210G	3"	8.46	5.13	7.87	2.99	1.93	563.76
100-211G	4"	10.1	5.91	9.89	4.00	2.22	879.28