

Lead Free Brass Ball Valve



2 Piece • Full Port • Solder x Hose Connection • 600 WOG •
Stainless Steel Ball and Stem • with Cap and Chain



S-100HSG

Features

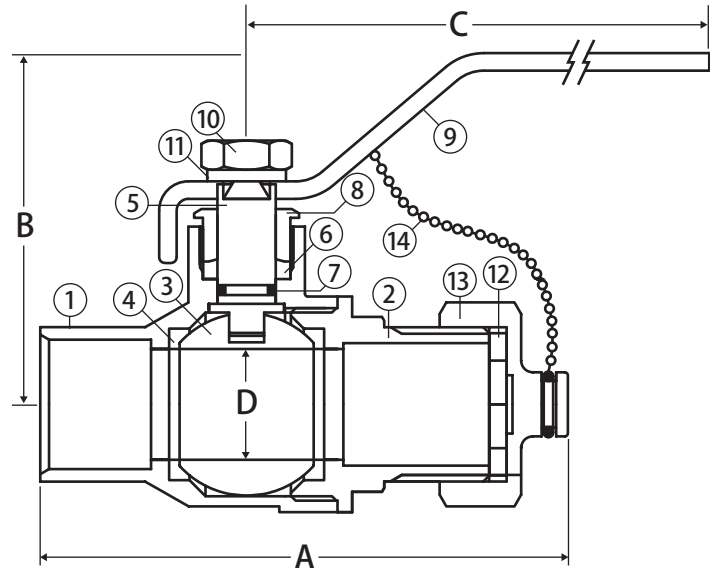
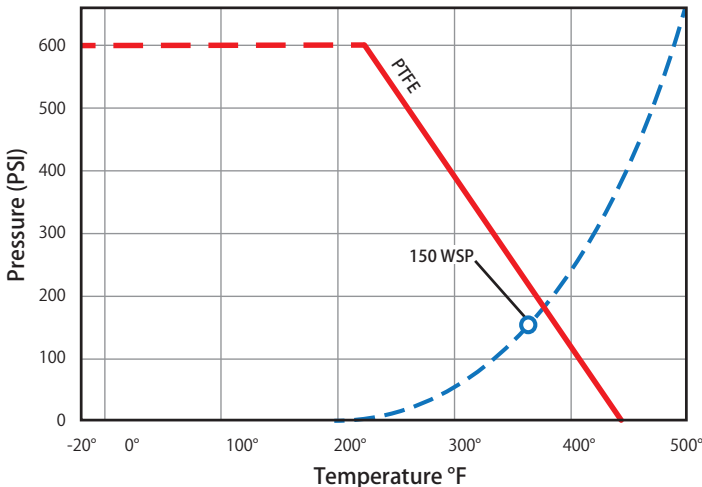
- Dezincification resistant brass
- Gland follower and single o-ring stem design
- Blow-out proof stem
- Cap and chain for easy drain & hose connection
- Heavy steel chain
- 100% leak tested
- IAPMO Certified - NSF 372
- Wetted surfaces contain less than .25% lead content

Approvals



- IAPMO Certified
 - NSF 61-8
 - NSF 372
 - Uniform Plumbing Code (cUPC)
 - IAPMO/ANSI Z1157-2014
 - NSF/ANSI 14-2014
- ASME/ANSI B16.18
- ANSI B1.20.7
- RoHS Compliant

Valve Seat Rating 600 WOG - 150 WSP



Material Specifications

No.	Part	Materials
1	Body	Lead Free Brass - C46500
2	End Connection	Lead Free Brass - C46500
3	Ball	304 Stainless Steel
4	Seat (2)	PTFE
5	Stem	304 Stainless Steel
6	Packing	PTFE
7	Stem O-ring	Buna-N
8	Packing Gland	Lead Free Brass - C46500
9	Handle	Steel - Chrome Plated
10	Handle Nut	Steel - Chrome Plated
11	Lock Washer	Steel - Chrome Plated
12	Cap Washer	EPDM
13	Cap	Lead Free Brass - C46500
14	Chain	Steel - Chrome Plated

Dimensions

Part No.	Size	A	B	C	D
100-663G	1/2" x 3/4" Hose	3.07	1.48	3.54	0.51
100-664G	3/4" x 3/4" Hose	3.54	1.94	4.45	0.75



WARNING: This product can expose you to chemicals including lead, which is known to the State of California to cause cancer, and lead, which is known to the State of California to cause birth defects or other reproductive harm. For more information go to www.P65Warnings.ca.gov.