

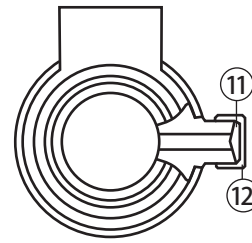
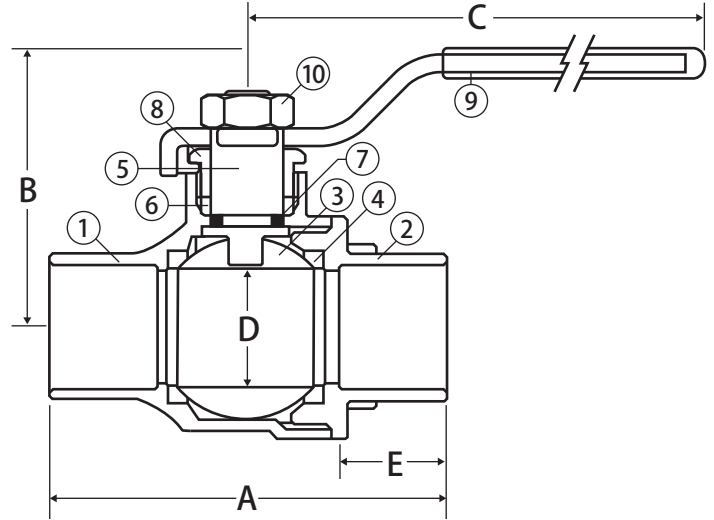
Lead Free Brass Ball Valve



2 Piece • Full Port • Solder Connection • 600 WOG •
Stainless Steel Ball and Stem • with Drain



S-110G



Features

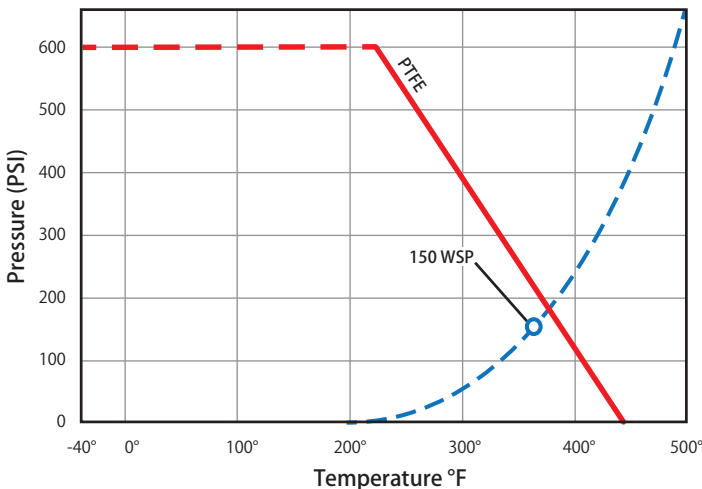
- Dezincification resistant brass
- Gland follower and single o-ring stem design
- Blow-out proof stem
- 100% leak tested
- Wetted surfaces contain less than .25% lead content

Approvals



- IAPMO Certified
 - NSF 61-8
 - NSF 372
 - Uniform Plumbing Code (cUPC)
 - IAPMO/ANSI Z1157-2014
 - NSF/ANSI 14-2014
- MSS SP-110
- ASME/ANSI B16.18
- RoHS Compliant

Valve Seat Rating 600 WOG - 150 WSP



Material Specifications

No.	Part	Materials
1	Body	Lead Free Brass - C46500
2	End Connection	Lead Free Brass - C46500
3	Ball	304 Stainless Steel
4	Seat (2)	PTFE
5	Stem	304 Stainless Steel
6	Packing	PTFE
7	Stem O-ring	Buna-N
8	Packing Gland	Lead Free Brass - C46500
9	Handle	Steel - Chrome Plated
10	Handle Nut	Steel - Chrome Plated
11	Flat Washer	Buna-N
12	Bleeder Cap	Lead Free Brass - C46500

Dimensions

Part No.	Size	A	B	C	D	E
100-643G	1/2"	1.93	1.54	3.31	0.50	0.50
100-644G	3/4"	2.76	1.97	4.65	0.79	0.75
100-645G	1"	3.31	2.13	4.65	1.00	0.86

WARNING: This product can expose you to chemicals including lead, which is known to the State of California to cause cancer, and lead, which is known to the State of California to cause birth defects or other reproductive harm. For more information go to www.P65Warnings.ca.gov.