

# Brass Sillcock

## Solder Connection • 125 WOG



S-641

### Features

- Manufactured in ISO-9001 facility
- 3/4" hose thread outlet

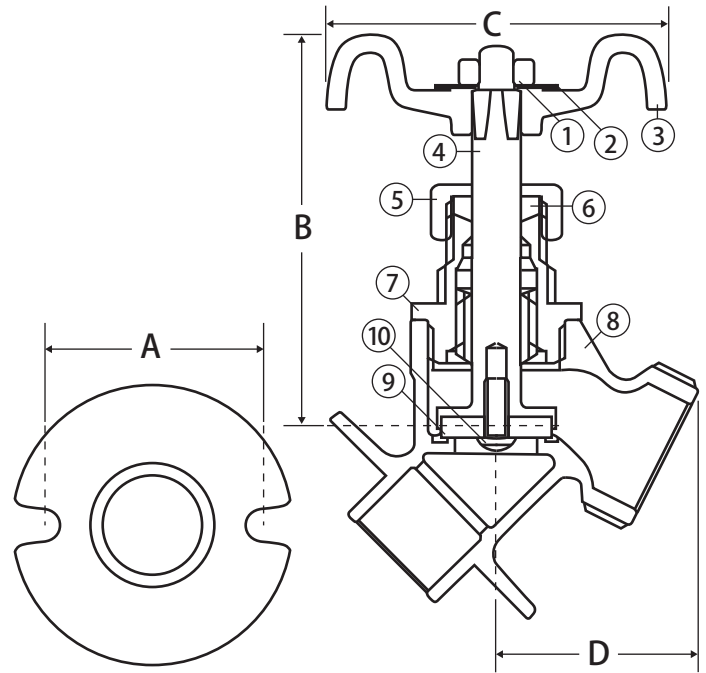
### Approvals

- ASME/ANSI B16.18
- ANSI B1.20.7

### Pressure Rating

- 125 WOG

**WARNING:** This product can expose you to chemicals including lead, which is known to the State of California to cause cancer, and lead, which is known to the State of California to cause birth defects or other reproductive harm. For more information go to [www.P65Warnings.ca.gov](http://www.P65Warnings.ca.gov).



### Material Specifications

| No. | Part          | Materials  |
|-----|---------------|------------|
| 1   | Handle Nut    | Steel      |
| 2   | Name Plate    | Aluminum   |
| 3   | Handle Wheel  | Cast Iron  |
| 4   | Stem          | Brass      |
| 5   | Packing Nut   | Brass      |
| 6   | Gland Packing | Buna-N     |
| 7   | Bonnet        | Cast Brass |
| 8   | Body          | Cast Brass |
| 9   | Seat Packing  | Buna-N     |
| 10  | Seat Screw    | Brass      |

### Dimensions

| Part No. | Size | A    | B    | C    | D    |
|----------|------|------|------|------|------|
| 202-103  | 1/2" | 1.10 | 2.52 | 2.13 | 1.38 |
| 202-104  | 3/4" | 1.10 | 2.52 | 2.13 | 1.62 |