

# Gas Ball Valve

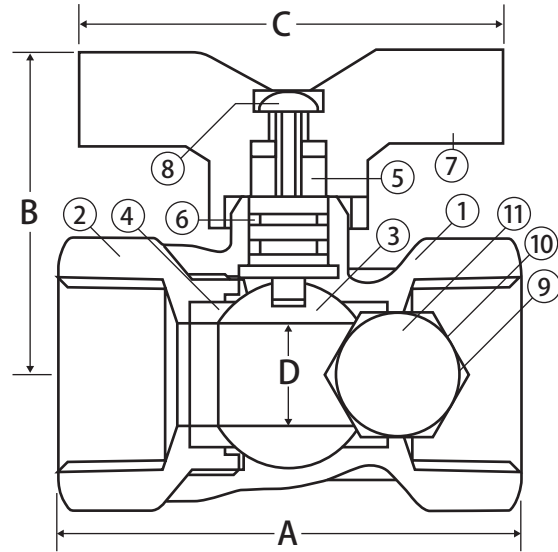


## 2 Piece • Threaded Connection • 600 WOG • with Side Tap



**T-203**

CRN# 0C16887.5469870YTN



### Features

- Eliminates need for test tee and labor to install
- Ideal for use outside in extremely cold climates
- Removable plug enables port for pressure gauge
- Valve can be locked in the closed position by reversing the handle
- 2 Viton® o-rings
- 1/8" side tap
- 100% leak tested
- 100% Made in Italy
- Leakproof stem - Lifetime Warranty
- For sizes above 3/4" use T-100STN

### Approvals

- UL Listed
  - YQNZ - Compressed gas shut-off valves
  - YRPV - Gas shut-off valves
  - YSDT - LP gas shut-off valves
  - MHKZ - Manual valves
  - YRBX - Flammable liquid shut-off valves
  - SFJQ - Valves, refrigerant
- CSA Certified
  - ANSI Z21.15 (.5 PSIG)
  - ASME B16.44 (5 PSIG)
  - CGA CR91 (5 PSIG)
- ANSI B1.20.1
- MSS SP-110

### Material Specifications

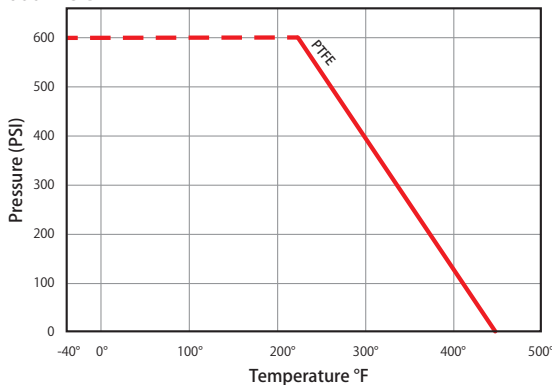
No.	Part	Materials
1	Body	Brass - CW617N
2	End Connection	Brass - CW617N
3	Ball	Chrome Plated Brass - CW614N
4	Seat (2)	PTFE
5	Stem	Brass - CW614N
6	Stem O-ring (2)	Viton®
7	Handle	Aluminum
8	Handle Screw	Steel - Geomet® Plated
9	Side Tap Plug	Brass - CW614N
10	Side Tap Washer	Buna-N
11	Side Tap Cap	Brass - CW614N

### Dimensions

Part No.	Size	A	B	C	D
102-301	1/4"	1.99	1.63	2.32	0.39
102-302	3/8"	1.99	1.63	2.32	0.47
102-303	1/2"	2.45	1.63	2.32	0.47
102-304	3/4"	2.63	1.69	2.32	0.59

### Valve Seat Rating

600 WOG



**WARNING:** This product can expose you to chemicals including lead, which is known to the State of California to cause cancer, and lead, which is known to the State of California to cause birth defects or other reproductive harm. For more information go to [www.P65Warnings.ca.gov](http://www.P65Warnings.ca.gov).