

Gas Ball Valve



2 Piece • Threaded Connection • 400 WOG

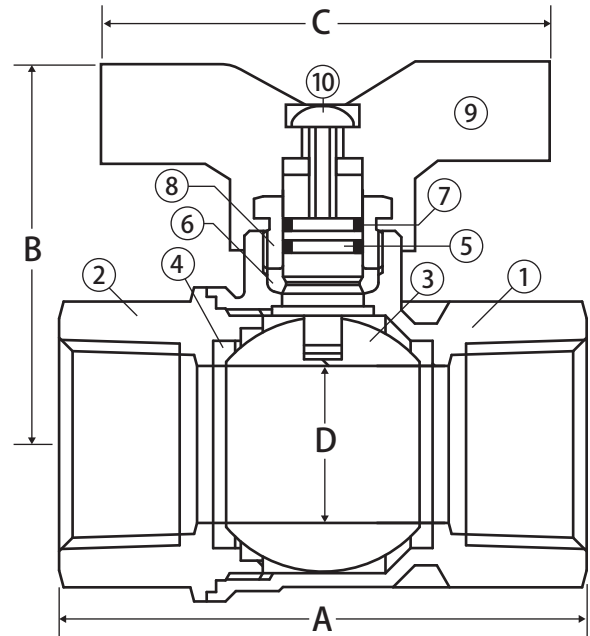


Teardrop Handle

T-handle

T-205

CRN# 0C16887.5469870YTN



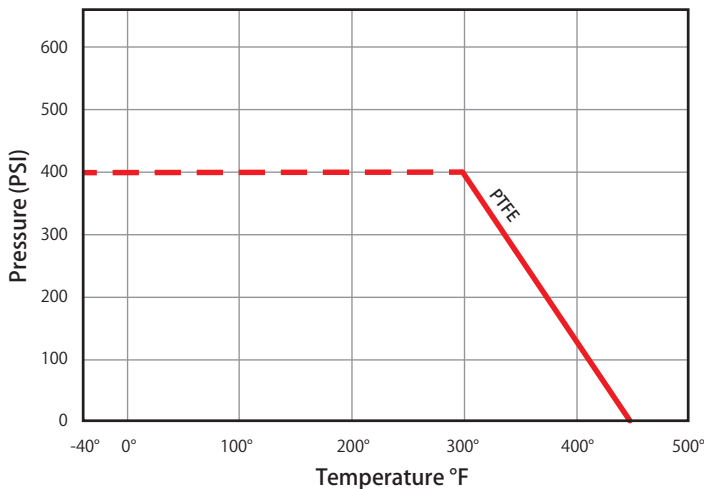
Features

- Valve can be locked in the closed position by reversing the handle
- Triple sealing stem with 2 Viton® o-rings and Teflon® seal
- 100% leak tested
- 100% Made in Italy
- Leakproof stem - Lifetime Warranty

Approvals

- CSA Certified
 - ANSI Z21.15 (.5 PSIG)
 - CGA 3.16 (125 PSIG)
- ANSI B1.20
- MSS SP-110

Valve Seat Rating 400 WOG




Material Specifications

No.	Part	Materials
1	Body	Brass - CW617N
2	End Connection	Brass - CW617N
3	Ball	Chrome Plated Brass - CW617N
4	Seat (2)	PTFE
5	Stem	Brass - CW614N
6	Packing	PTFE
7	Stem O-ring (2)	Viton®
8	Packing Gland	Brass - CW614N
9	Handle	Aluminum
10	Handle Screw	Steel - Geomet® Plated

Dimensions

Part No.	Size	A	B	C	D
Yellow Teardrop Handle					
102-513	1/2" FIP	2.23	1.50	2.32	0.39
102-514	3/4" FIP	2.46	1.54	2.32	0.59
Red T-handle					
102-503	1/2" FIP	2.23	1.73	2.32	0.39
102-504	3/4" FIP	2.46	1.77	2.32	0.59
102-505	1" FIP	3.08	2.21	2.32	0.79

 **WARNING:** This product can expose you to chemicals including lead, which is known to the State of California to cause cancer, and lead, which is known to the State of California to cause birth defects or other reproductive harm. For more information go to www.P65Warnings.ca.gov.

