

# Lead Free Brass Boiler Drain

## Compression Connection • 125 WOG



**T-623G**

### Features

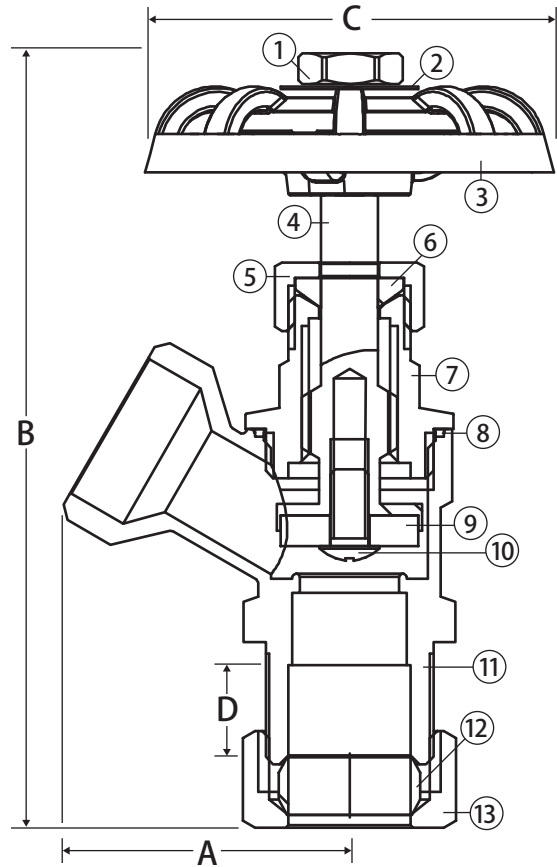
- Manufactured in ISO-9001 facility
- Wetted surfaces contain less than .25% lead content

### Approvals

- Lead Free Compliant
- ANSI B1.20.7

### Pressure Rating

- 125 WOG



### Material Specifications

No.	Part	Materials
1	Nut	304 Stainless Steel
2	Nameplate	Aluminum
3	Handle Wheel	Cast Iron
4	Stem	Lead Free Brass C46500
5	Compression Nut	Brass C37700
6	Gasket	PTFE
7	Bonnet	Lead Free Brass C46500
8	Gasket	PTFE
9	Seal Gasket	EPDM
10	Screw	304 Stainless Steel
11	Body	Lead Free Brass C46500
12	Olive	Lead Free Brass H62
13	Nut	Brass C37700

### Dimensions

Part No.	Size	A	B (Open)	C	D
201-113G	1/2"	1.50	4.05	2.10	0.51



**WARNING:** This product can expose you to chemicals including lead, which is known to the State of California to cause cancer, and lead, which is known to the State of California to cause birth defects or other reproductive harm. For more information go to [www.P65Warnings.ca.gov](http://www.P65Warnings.ca.gov).