

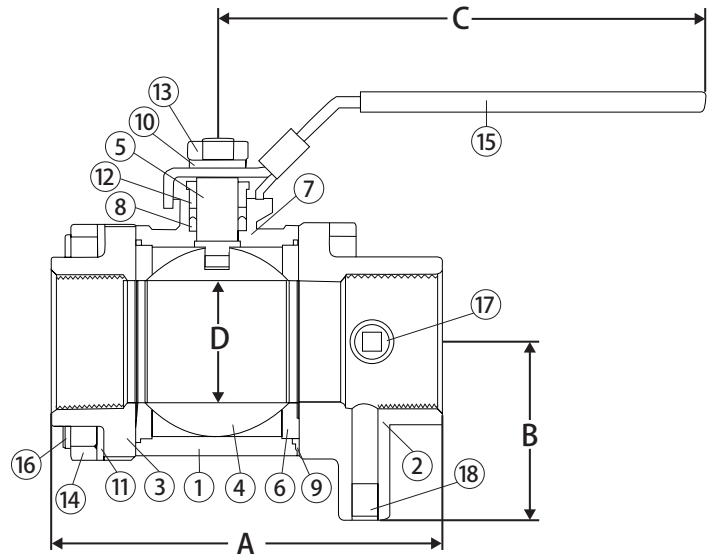
# Stainless Steel Ball Valve



3 Piece 4 Bolt • Swing Out Body • Full Port •  
Threaded Connection with Drain • 1000 WOG



T-SS-1000N-4B



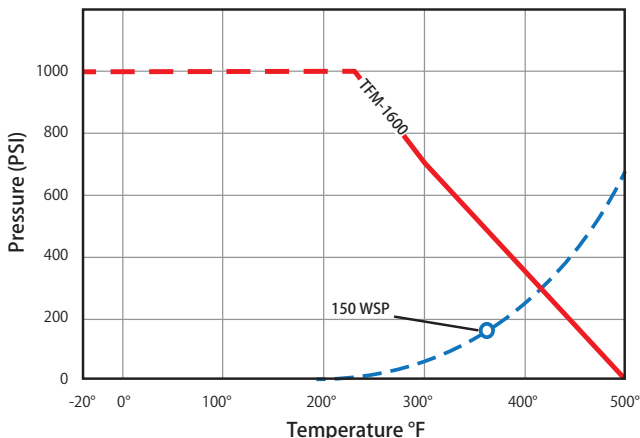
## Features

- Latch lock may be locked in open or closed positions
- 29 in-Hg vacuum rating
- 100% leak tested
- Wetted surfaces contain less than .25% lead content
- Repair kits available

## Approvals

- UL Listed
  - MHKZ - Manual valves
  - YQNZ - Compressed gas shut-off valves
  - YRBX - Flammable liquid shut-off valves
  - YRPV - Gas shut-off valves
  - YSDT - LP gas shut-off valves
  - YQAR - Anhydrous ammonia shut-off valves
- MSS SP-110
- NACE Certified
- ANSI B16.11
- ANSI B1.20.1
- Conforms to API 598

## Valve Seat Rating 1000 WOG - 150 WSP



## Material Specifications

No.	Part	Materials
1	Body	CF8M Stainless Steel
2	End Cap	CF8M Stainless Steel
3	End Cap	CF8M Stainless Steel
4	Ball	CF8M Stainless Steel
5	Stem	316 Stainless Steel
6	Seat (2) *	Hostaflo® TFM 1600
7	Stem Seal *	Hostaflo® TFM 1600
8	Packing (2) *	RPTFE
9	Body Seal (2) *	Hostaflo® TFM 1600
10	Lock Washer	304 Stainless Steel
11	Body Lock Washer (4)	304 Stainless Steel
12	Packing Gland	316 Stainless Steel
13	Handle Nut	304 Stainless Steel
14	Body Nut (4)	304 Stainless Steel
15	Handle	304 Stainless Steel
16	Body Bolt (4)	304 Stainless Steel
17	Side Tap	316 - 1/4" FNPT Stainless Steel
18	Drain	SS 316 - 1/2" MNPT/1/4" FNPT

\*Included in repair kit

## Dimensions

Part No.	Size	A	B	C	D	Torque
501-308	2"	6.39	2.91	7.99	1.97	480

**WARNING:** This product can expose you to chemicals including diisononyl phthalate (DINP), which is known to the State of California to cause cancer, and diisononyl phthalate (DINP), which is known to the State of California to cause birth defects or other reproductive harm. For more information go to [www.P65Warnings.ca.gov](http://www.P65Warnings.ca.gov).