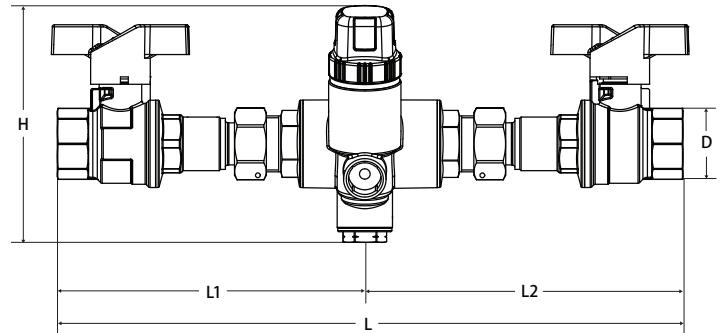


Thermostatic Balancing Valve • Variable Set Point • 150 CWP • with Dual Isolation



TB-120MG



Features

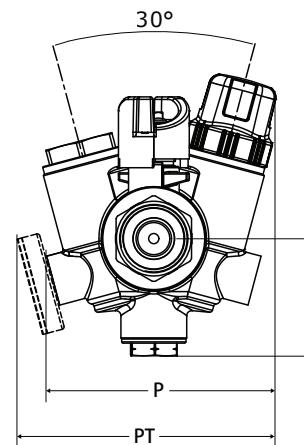
- Variable temperature set point with protective cap
- Modulates flow to maintain constant temperature in the recirculation loop
- No balancing equipment required
- Heat treated DZR alloy
- 100% Made in Italy
- Drywell with temperature gauge comes standard
- 1/2" NPT temperature port (factory plugged)
- Equipped with dual isolation ball valves
- Union connections on the ball valves
- Integrated check valve in downstream isolation valve

Approvals

- NSF 61
- NSF 372
- Conforms to ANSI B1.20.1

Temperature and Pressure

- Max Working Pressure: 232 psi
- Max Differential Pressure: 14.5 psi
- Max Working Temperature: 194°F
- Temperature Setting Range: 95°F - 140°F
- C_{vmin} : 0.26
- C_{vmax} : 2.06
- $C_{vdesign}$: 0.55 - 0.58



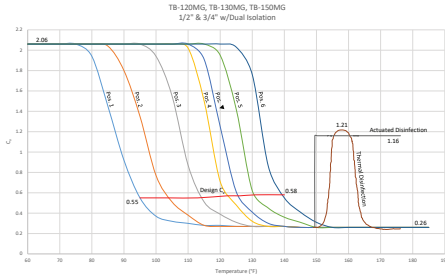
Dimensions

TB-120MG	Part No.	D	L	L1	L2	H	I	P	PT
FxF	180-103MG-B-I	1/2"	11.5	5.75	5.75	4.41	1.81	3.58	4.02
FxF	180-104MG-B-I	3/4"	11.5	5.75	5.75	4.41	1.81	3.58	4.02

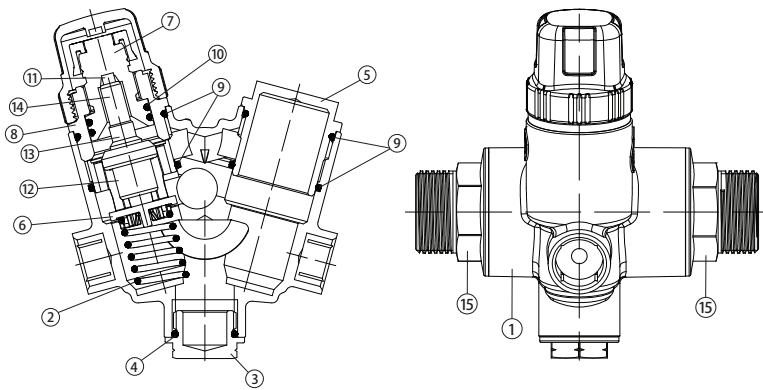


WARNING: This product can expose you to chemicals including lead, which is known to the State of California to cause cancer, birth defects or other reproductive harm. For more information go to www.P65Warnings.ca.gov.

Thermostatic Balancing Valve • Variable Set Point • 150 CWP • with Dual Isolation

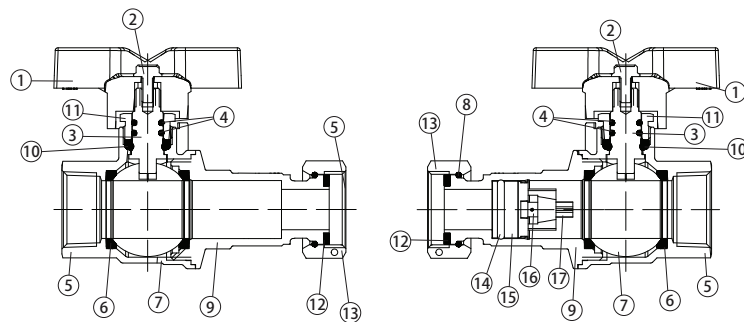


HAND WHEEL SETPOINT TEMPERATURE (°F)									
95°	100°	105°	110°	115°	120°	125°	130°	135°	140°
1	1.6	2.1	2.7	3.2	3.8	▼4.4	4.9	5.5	6



TB-120MG Material Specifications

No.	Part	Material
1	Valve Body	LF DZR Brass CW511L
2	Spring	Stainless Steel AISI 302
3	1/2" Plug	LF DZR Brass CW511L
4	O-Ring	EPDM
5	Auxiliary Cap	LF DZR Brass CW511L
6	Piston	PSU
7	Stem	LF DZR Brass CW511L
8	Stem Adapter	LF DZR Brass CW511L
9	O-Ring	EPDM
10	O-Ring	EPDM
11	Cartridge Piston	Steel
12	Cartridge Cup	Brass CW501L
13	Cartridge Guide	Brass CW724R
14	Cartridge Sleeve	EPDM
15	End connection FNPT	LF DZR Brass CW511L



TB-120MG Isolation Valve

No.	Part	Material
1	T-Handle	Aluminum
2	Screw	Steel-Geomet Plated
3	Stem	LF Brass CW510L
4	O-Ring (2)	EPDM
5	End Connection	LF DZR Brass CW511L
6	Seat (2)	PTFE G300
7	Ball	T.E.A. Coated Brass CW510L
8	O-Ring	EPDM
9	Body	LF DZR Brass CW511L
10	Packing	PTFE G300
11	Packing Gland	LF Brass CW510L
12	Union Gasket	EPDM
13	Union Nut	LF DZR Brass CW511L
14	Check O-Ring	EPDM
15	Check Body	GF Noryl
16	Spring	Stainless Steel AISI 301
17	Check Rod Plunger	GF Noryl