

Current Sensors



Model CU-850/860/870/880
CU-855/865/875/885



- Available in two transformer core configurations: solid or split-core for ease of installation
- Self powered, no external power supply required for VDC output units
- Two output options are available: 0-5 VDC or 4-20mA
- Three field selectable ranges in each unit
- UL listed and CE certified
- True RMS measurement
- Up to 200 amp range

CU series Current Sensors provide a reliable and low cost solution to monitor current of supply/exhaust fans, pumps, compressors, unit ventilators, lighting or any equipment. Current Sensors are available with a solid core or split core configuration for ease of installation. Two models are available with field selectable ranges to cover 10 amps to 200 amps full scale. The current sensors incorporate sophisticated electronics to provide true RMS measurement from 20 to 100 Hz frequency. The VDC output sensor is self powered and does not require external power. The 4-20 mA sensor is 2-wire loop powered and can handle 15-40 VDC. 5 year warranty, UL listed, CE certified and the lowest cost in the industry are some of the features which make the sensors an ideal solution for load status monitoring and alarming functions.



8189 Century Boulevard • Minneapolis, MN 55317-8002 • USA
800-843-5116 • 952-556-4900 • Fax 952-556-4997
sales@mamacsys.com • www.mamacsys.com

4200 Waterside Centre
Solihull Parkway
Birmingham • West Midlands
B37 7YN • United Kingdom
01384-271113 • Fax 01384-271114

1 Fullerton Road #02-01
One Fullerton
Singapore • 049213
65-31581826 • Fax 65-31581826

4 Armiger Court, Unit 2
Adelaide • S.A.
5088 • Australia
08-8395-4333 • Fax 08-8395-4433

675 Cochrane Drive
East Tower • 6th Floor
Toronto • Ontario
L3R 0B8 • Canada
905-474-9215 • Fax 905-474-0876

CU-850/860/870/880 CU-855/865/875/885

SPECIFICATIONS:

Supply Voltage: Self-Powered (0-5 VDC output)
15-40 VDC (4-20mA output)

Isolation Voltage: 1000 VAC

Frequency Range: 20-100 Hz

Operating Temp: 32°-158°F (0-70°C)

Environmental: 0-95% RH, Non-Condensing

Agency Approvals: UL listed, CE certified

Accuracy: +/- 1% FS

Housing: UL 94-V-0 Flame retardant ABS Plastic

Termination: Terminal Block 14 Ga max

Response Time: 250 ms (0-90%)

Weight: .25 lbs (.11 kg)

Max. Input Current: 10/20/50 amp range - 80/120/200 amps continuous
50/100/200 amp range - 175/300/400 amps continuous

CONFORMANCE & TESTING:

RoHS Compliant

EMC Testing:

BS EN 55022:1998, BS EN 55024:1998,
EN 61000-3-3, EN 61000-4-2,
EN 61000-4-3, EN 61000-4-4,
EN 61000-4-5, EN 61000-4-6,
EN 61000-4-11

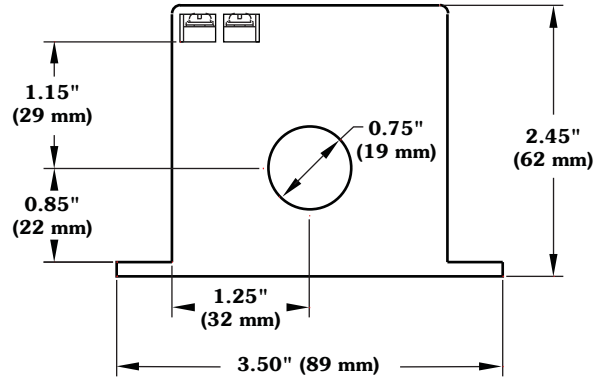
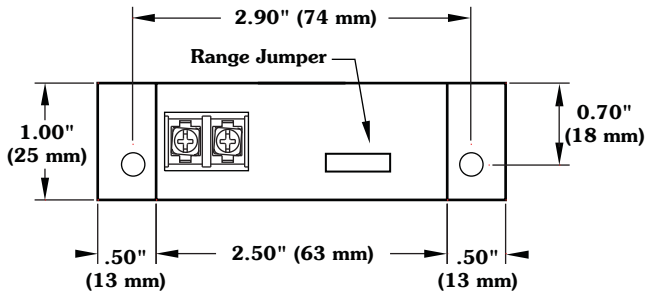
ORDERING INFORMATION:

Model	Description
CU-850	Solid-core, 10 / 20 / 50 amps, 0 - 5 VDC output
CU-855	Split-core, 10 / 20 / 50 amps, 0 - 5 VDC output
CU-860	Solid-core, 100 / 150 / 200 amps, 0 - 5 VDC output
CU-865	Split-core, 100 / 150 / 200 amps, 0 - 5 VDC output
CU-870	Solid-core, 10 / 20 / 50 amps, 4 - 20 mA output
CU-875	Split-core, 10 / 20 / 50 amps, 4 - 20 mA output
CU-880	Solid-core, 100 / 150 / 200 amps, 4 - 20 mA output
CU-885	Split-core, 100 / 150 / 200 amps, 4 - 20 mA output

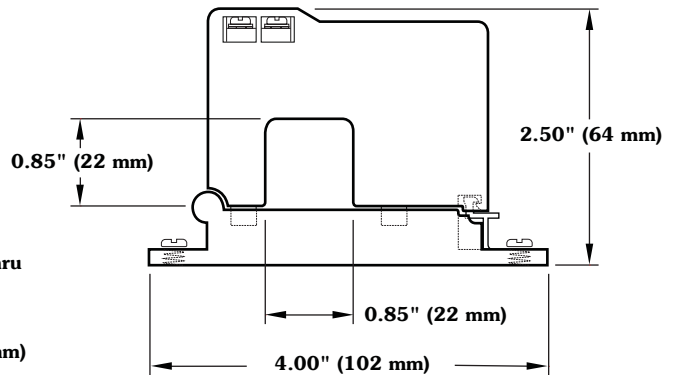
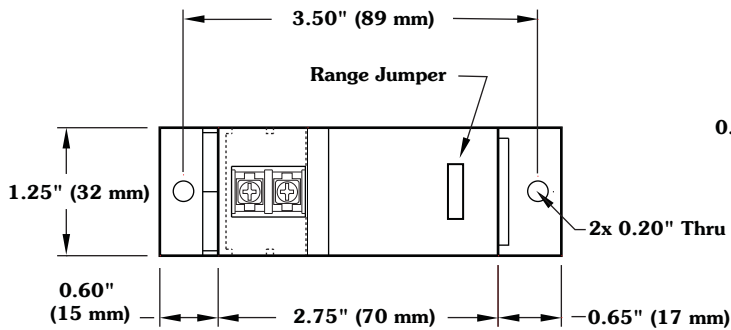
CAUTION: Do not use in explosive/hazardous environment.

CU-850/860/870/880
CU-855/865/875/885

CU-850/860/870/880
Solid Core



CU-855/865/875/885
Split Core



CU-850/860/870/880 CU-855/865/875/885



MAMAC Systems is the leading global manufacturer of sensors, transducers, control peripherals and web browser based IP appliances. MAMAC products are used for HVAC and environmental controls, remote monitoring, alarming, energy metering and industrial automation.

All MAMAC products are manufactured in the USA.

WARRANTY: MAMAC Systems, Inc. and its subsidiaries (hereinafter referred to as MAMAC Systems) warrants its products to be free of defects in material and workmanship for a period of five (5) years from date of shipment. If a unit is malfunctioning, it must be returned to the factory for evaluation. A return authorization number (RMA) will be issued by the customer service department and this number must be written or prominently displayed on the shipping boxes and all related documents. The defective part should be shipped freight pre-paid to the factory. Upon examination by MAMAC Systems, if the unit is found to be defective, it will be repaired or replaced at no charge to the customer. However, this warranty is void if the unit shows evidence of being tampered with, damaged during installation, misapplied, misused, or used in any other operating condition outside of the unit's published specifications.

MAMAC Systems makes no other warranties or representations of any kind whatsoever, expressed or implied, except that of title. All implied warranties including any warranty of merchantability and fitness for a particular purpose are hereby disclaimed. User is responsible to determine suitability for intended use.

LIMITATIONS OF LIABILITY: The remedies of buyer set forth herein are exclusive and the total liability of MAMAC Systems with respect to this order, whether based on contract, warranty, negligence, indemnification, strict liability or otherwise, shall not exceed the purchase price of the product upon which liability is based. **In no event shall MAMAC Systems be liable for consequential, incidental or special damages.** MAMAC Systems reserves the right to change any specifications without notice to improve performance, reliability, or function of our products.

Every precaution for accuracy has been taken in the preparation of this manual, however, MAMAC Systems neither assumes responsibility for any omissions or errors that may appear nor assumes liability for any damages that result from the use of the product in accordance with the information contained in the manual.



8189 Century Boulevard • Minneapolis, MN 55317-8002 • USA
800-843-5116 • 952-556-4900 • Fax 952-556-4997
sales@mamacsys.com • www.mamacsys.com

4200 Waterside Centre
Solihull Parkway
Birmingham • West Midlands
B37 7YN • United Kingdom
01384-271113 • Fax 01384-271114

1 Fullerton Road #02-01
One Fullerton
Singapore • 049213
65-31581826 • Fax 65-31581826

4 Armiger Court, Unit 2
Adelaide • S.A.
5088 • Australia
08-8395-4333 • Fax 08-8395-4433

675 Cochrane Drive
East Tower • 6th Floor
Toronto • Ontario
L3R 0B8 • Canada
905-474-9215 • Fax 905-474-0876