

Space Temperature Sensor

CE

Model TE-205-EX

RoHS



- Aesthetically appealing ABS plastic wall mount enclosure
- Six different configuration options available including: set point adjust, push button override, and communication jack
- Mounts on standard 2" X 4" handy box or can be flush mounted
- Rugged two piece construction, cover secured to sub base via allen screws
- More than 16 types of interchangeable NTC thermistors, precision platinum, nickel or balco RTDs are available for universal compatibility

TE-205-EX wall sensors provide reliable space temperature sensing. The rugged enclosure is tamper proof, due to a unique mounting scheme and allen screws that secure the cover to the sensor sub base. The TE-205-EX wall mount enclosure may be flush mounted on any flat surface or fits a 2" X 4" handy box. Six different configuration options available including: set point adjust, push button override, and communication jack. Two types of after hours temperature override are provided. By momentarily depressing the push-button located along the upper right side of the sensor, after hours comfort control conditions can be requested by facility occupants. Also, a simple, intuitive temperature control adjustment "slider" is an option for occupant temperature modification. The TE-205-EX is a simple to install, and cost effective space temperature sensor.

MAMAC SYSTEMS®

8189 Century Boulevard • Minneapolis, MN 55317-8002 • USA
800-843-5116 • 952-556-4900 • Fax 952-556-4997
sales@mamacsys.com • www.mamacsys.com

4200 Waterside Centre
Solihull Parkway
Birmingham • West Midlands
B37 7YN • United Kingdom
01384-271113 • Fax 01384-271114

1 Fullerton Road #02-01
One Fullerton
Singapore • 049213
65-31581826 • Fax 65-31581826

4 Armiger Court, Unit 2
Adelaide • S.A.
5088 • Australia
08-8395-4333 • Fax 08-8395-4433

675 Cochrane Drive
East Tower • 6th Floor
Toronto • Ontario
L3R 0B8 • Canada
905-474-9215 • Fax 905-474-0876

TE-205-EX

SPECIFICATIONS:

Platinum RTD sensors:	+/- 0.1% @ 0 C, Alpha : 385 per DIN 43760
Nickel RTD sensors: (#2)	+/- 0.5 C @ 0 C, 5000 PPM/K T.C.R.
Nickel RTD sensors: (#4)	+/- 0.5 F @ 70 F / 21.1 C, 6000 PPM/K T.C.R.
Balco RTD sensors:	+/- 0.5 F @ 70 F /21.1 C, 4300 PPM/K T.C.R.
Thermistor sensors:	+/- 0.2 C interchangeability @ 77 F/ 25 C
Plastic Enclosure:	Off-white ABS plastic
Operating Temp:	-40F/-40C to 210F/100C
Ambient Temp:	-40F/-40C to 160F/70C
Weight:	5.0 oz (142 g)

CONFORMANCE & TESTING:

RoHS Compliant

EMC Testing:

BS EN 55022:1998, BS EN 55024:1998,
EN 61000-3-3, EN 61000-4-2,
EN 61000-4-3, EN 61000-4-4,
EN 61000-4-5, EN 61000-4-6,
EN 61000-4-11

ORDERING INFORMATION: TE-205-EX-

Temperature Sensor	Option
1 100 ohm Platinum RTD	0 Sensor Only
2 1,000 ohm Nickel RTD (5000 PPM)	1 Sensor, Push-button override
3 1,000 ohm Platinum RTD	2 Sensor, Push-button, Set-point adjust
4 1,000 ohm Nickel RTD (6000 PPM)	3 Sensor, Push-button, Set-point adjust, and Communication jack
5 1,000 ohm Balco RTD	4 Sensor, Set-point adjust
7 10,000 ohm NTC thermistor (Type III)	5 Push-button, Communication jack
8 10,000 ohm NTC thermistor (Carel)	
10 3,000 ohm NTC thermistor	
12 10,000 ohm NTC thermistor (Type II)	
13 5,000 ohm NTC thermistor	
14 1,035 ohm Silicon PTC	
15 100,000 ohm NTC thermistor	
16 10,000 ohm NTC thermistor (Eliwell)	
17 20,000 ohm NTC thermistor	
18 2,252 ohm NTC thermistor	
21 1,800 ohm NTC thermistor	

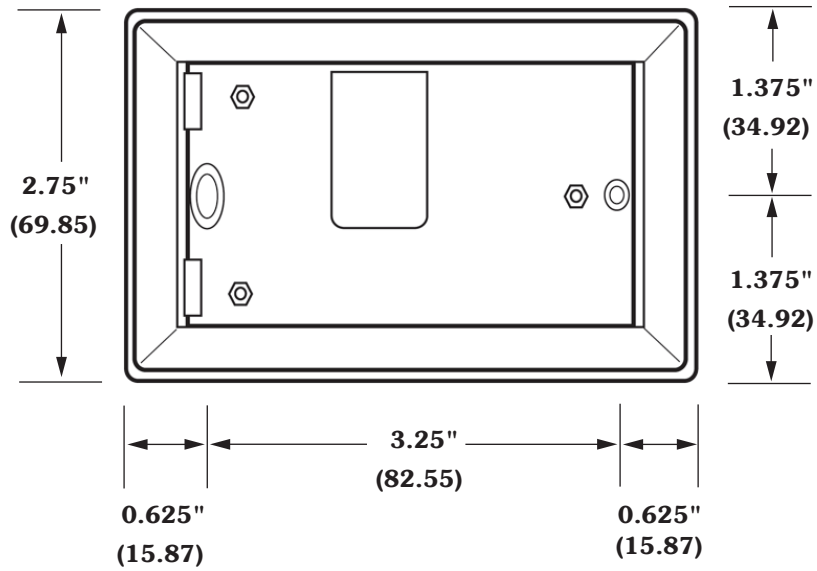
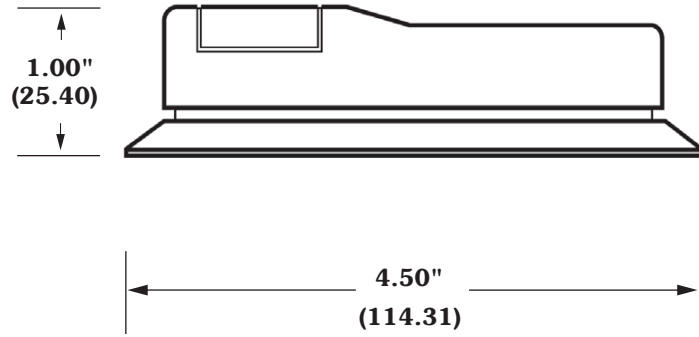
Example: TE-205-EX-2-5: Executive Enclosure with 1,000 ohm Nickel RTD Sensor, Push button override and Communication jack

* For sensor compatibility, please refer to TI.700-10.

** For complete **Resistance vs. Temperature** tables, please refer to TI.700-11.

CAUTION: Do not use in explosive/hazardous environment or with flammable/combustible media.

TE-205-EX



(mm)

TE-205-EX



MAMAC Systems is the leading global manufacturer of sensors, transducers, control peripherals and web browser based IP appliances. MAMAC products are used for HVAC and environmental controls, remote monitoring, alarming, energy metering and industrial automation.

All MAMAC products are manufactured in the USA.

WARRANTY: MAMAC Systems, Inc. and its subsidiaries (hereinafter referred to as MAMAC Systems) warrants its products to be free of defects in material and workmanship for a period of five (5) years from date of shipment. If a unit is malfunctioning, it must be returned to the factory for evaluation. A return authorization number (RMA) will be issued by the customer service department and this number must be written or prominently displayed on the shipping boxes and all related documents. The defective part should be shipped freight pre-paid to the factory. Upon examination by MAMAC Systems, if the unit is found to be defective, it will be repaired or replaced at no charge to the customer. However, this warranty is void if the unit shows evidence of being tampered with, damaged during installation, misapplied, misused, or used in any other operating condition outside of the unit's published specifications.

MAMAC Systems makes no other warranties or representations of any kind whatsoever, expressed or implied, except that of title. All implied warranties including any warranty of merchantability and fitness for a particular purpose are hereby disclaimed. User is responsible to determine suitability for intended use.

LIMITATIONS OF LIABILITY: The remedies of buyer set forth herein are exclusive and the total liability of MAMAC Systems with respect to this order, whether based on contract, warranty, negligence, indemnification, strict liability or otherwise, shall not exceed the purchase price of the product upon which liability is based. **In no event shall MAMAC Systems be liable for consequential, incidental or special damages.** MAMAC Systems reserves the right to change any specifications without notice to improve performance, reliability, or function of our products.

Every precaution for accuracy has been taken in the preparation of this manual, however, MAMAC Systems neither assumes responsibility for any omissions or errors that may appear nor assumes liability for any damages that result from the use of the product in accordance with the information contained in the manual.

MAMAC SYSTEMS®

8189 Century Boulevard • Minneapolis, MN 55317-8002 • USA
800-843-5116 • 952-556-4900 • Fax 952-556-4997
sales@mamacsys.com • www.mamacsys.com

4200 Waterside Centre
Solihull Parkway
Birmingham • West Midlands
B37 7YN • United Kingdom
01384-271113 • Fax 01384-271114

1 Fullerton Road #02-01
One Fullerton
Singapore • 049213
65-31581826 • Fax 65-31581826

4 Armiger Court, Unit 2
Adelaide • S.A.
5088 • Australia
08-8395-4333 • Fax 08-8395-4433

675 Cochrane Drive
East Tower • 6th Floor
Toronto • Ontario
L3R 0B8 • Canada
905-474-9215 • Fax 905-474-0876