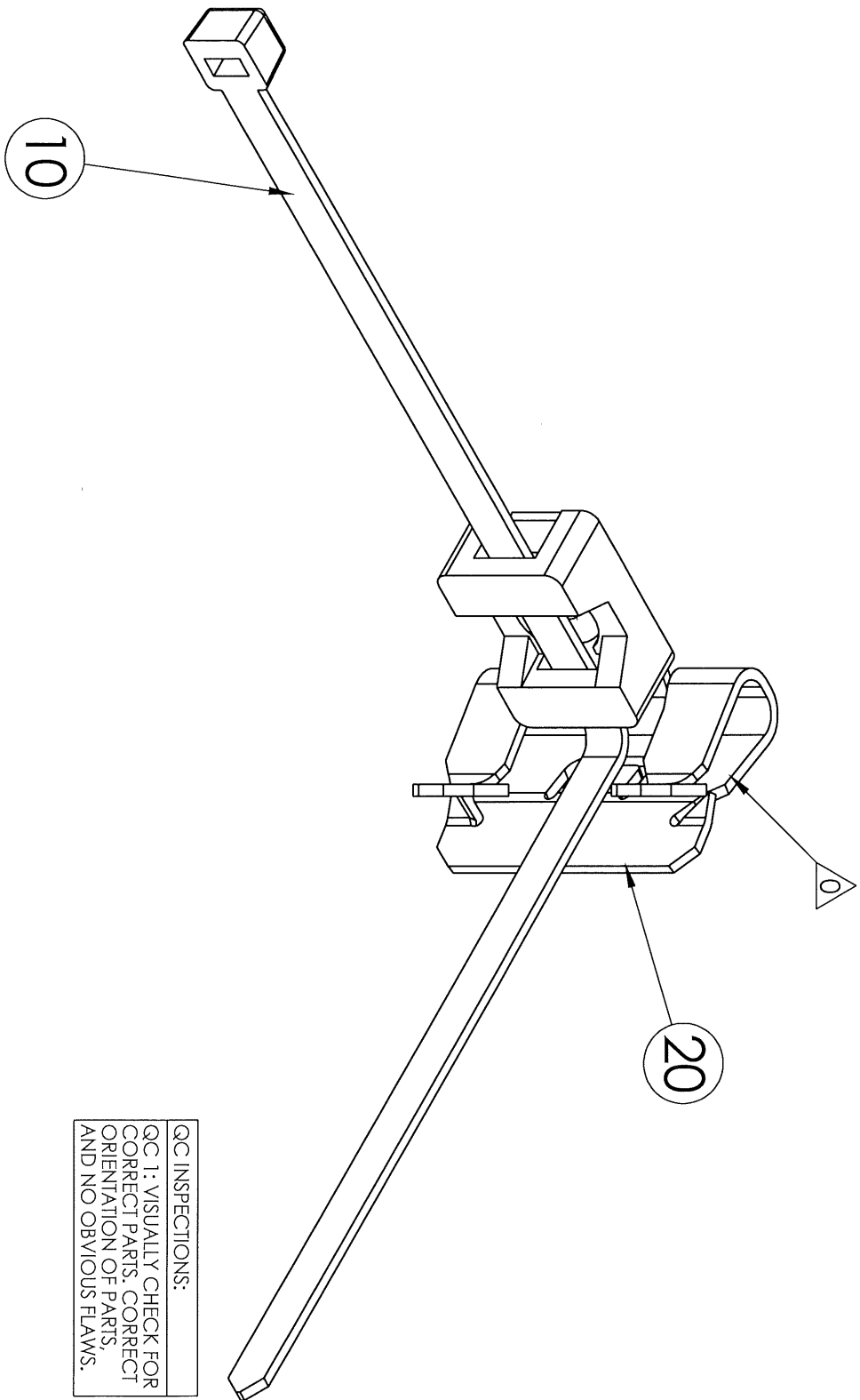


REVISIONS			
REV.	DESCRIPTION	DATE	APPROVED
0	RIVETED ASSEMBLY INSTEAD OF LISTING INDIVIDUAL PARTS	5/17/2016	ACKERMAN



QC INSPECTIONS:
 QC 1: VISUALLY CHECK FOR CORRECT PARTS, CORRECT ORIENTATION OF PARTS, AND NO OBVIOUS FLAWS.

ITEM NO.	PART NUMBER	DESCRIPTION	QTY.
10	06-004-010	7.5" CABLE TIE-UV	1
20	09-033-012A-S-I	SMALL BEAM CLIP W/ TIE MOUNT (INSIDE)	1

MATERIAL:
 SEE PARTS
 FINISH:
 SEE PARTS
 WEIGHT: 0.0421 lb

TOLERANCES:
 X.X ±1mm | ANGLES ±1/2°
 X.XX ±0.1mm
 UNLESS OTHERWISE NOTED

THIS DOCUMENT CONTAINING CONFIDENTIAL AND PROPRIETARY INFORMATION, IS THE SOLE PROPERTY OF M&E COMPONENTS, INC. AND IS NOT TO BE REPRODUCED AND/OR MANUFACTURED WITHOUT THE WRITTEN PERMISSION OF M&E COMPONENTS, INC.

M & E

BEAM CLIP W/50# CABLE TIE (INSIDE)
 SHEET 1 OF 1
 NAME: SANCHEZ
 DATE DRAWN: 5/7/15
 SCALE: 3:2
 SIZE: A
 DRAWING NUMBER: 09-015-009A
 REV: 0